

KEY:

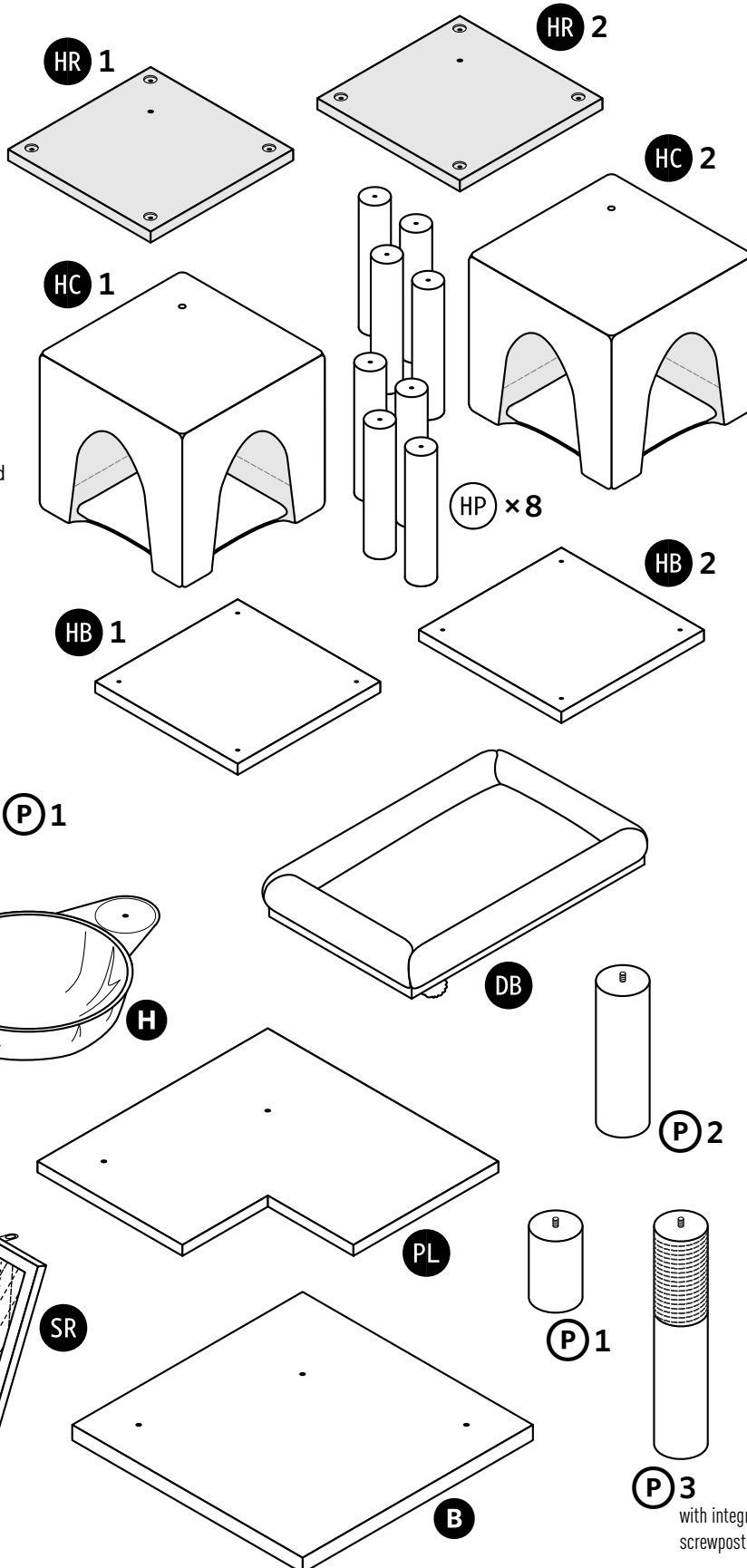
HR = Hideaway Roof
HC = Hideaway Cover
HP = Hideaway Post
HB = Hideaway Base

DB = Daybed
H = Hammock
PL = Platform
SR = Scratcher/Ramp
B = Base

P1 = 2 interchangeable
Posts with integrated
screwpost
(5 1/8" / 13 cm)

P2 = 1 Post with integrated
screwpost
(10 1/8" / 25,8 cm)


P3 = 2 interchangeable
Posts + 1 Post with
integrated screwpost
(15 5/8" / 39,7 cm)




HARDWARE :

 **Phillips-head Screw**
16 pieces


 **Short Hex Screw**
1 piece

 **Medium Hex Screw**
2 pieces

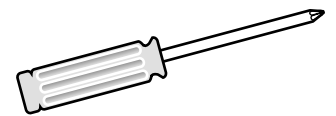
 **Long Hex Screw**
4 piece

 **Screw Post**
2 piece


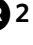







TOOLS :

Hex Key
 included

**Phillips-head
screwdriver** not included

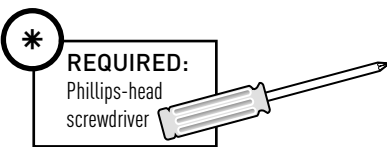
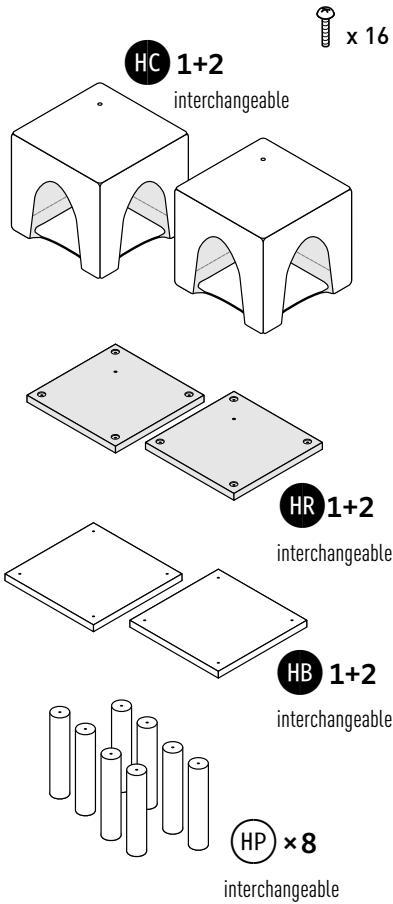


***** These parts are interchangeable :

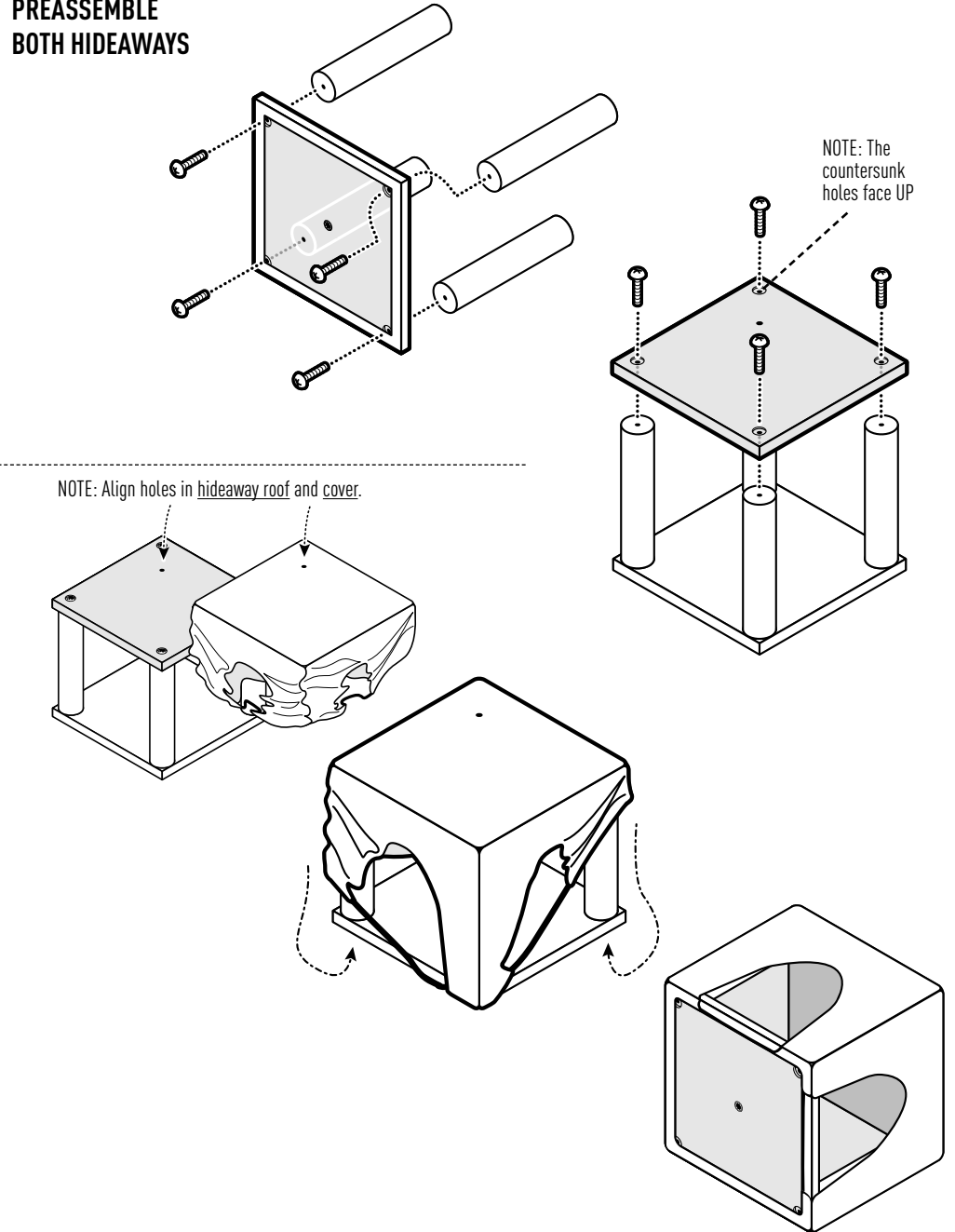
-  1 =  2
-  1 =  2
-  1 =  2
-  all 8 posts
-  1 posts
-  3 posts without integrated screwpost

TOOLS REQUIRED: Hex Key (included) & Phillips-head Screwdriver (not included) • Follow the Assembly Steps in the order presented.

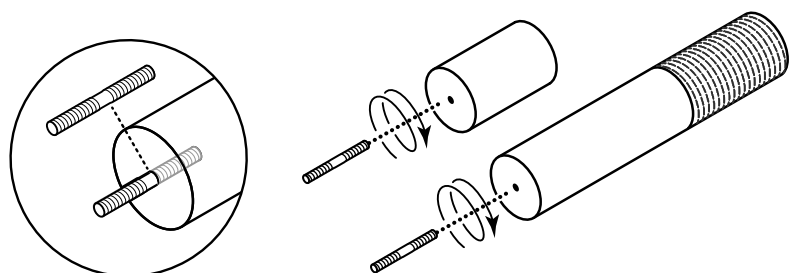
1 PIECES



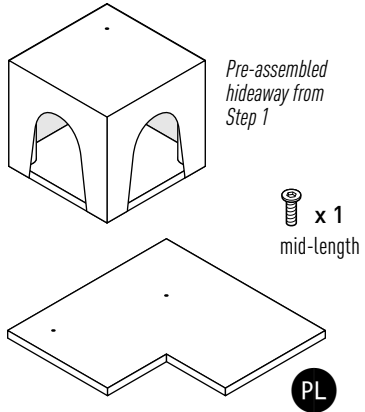
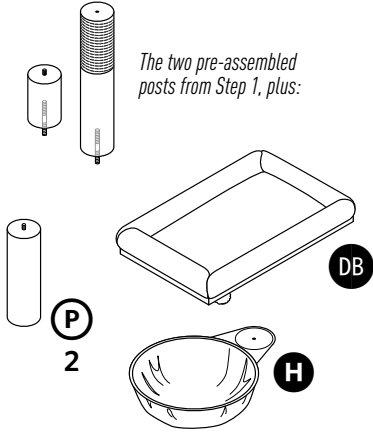
PREASSEMBLE
BOTH HIDEAWAYS



PREASSEMBLE

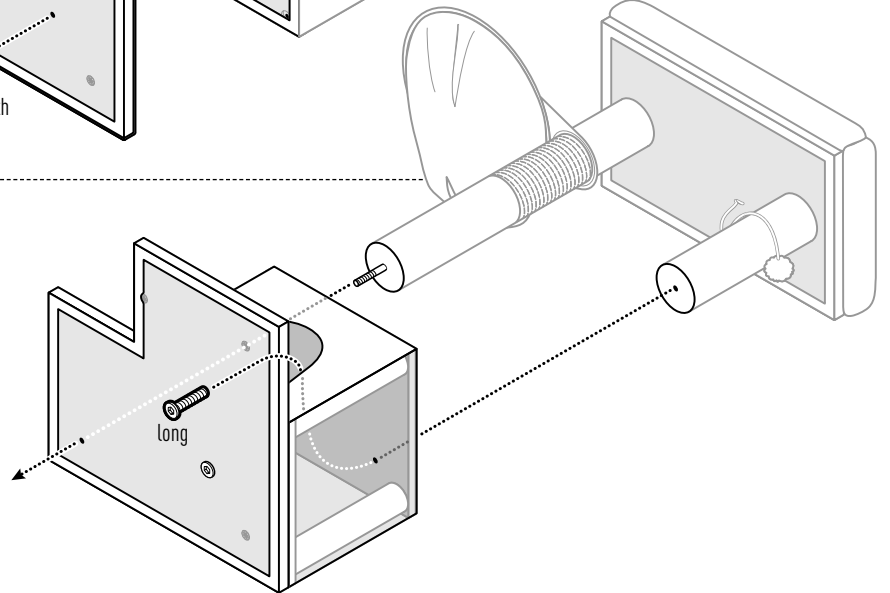
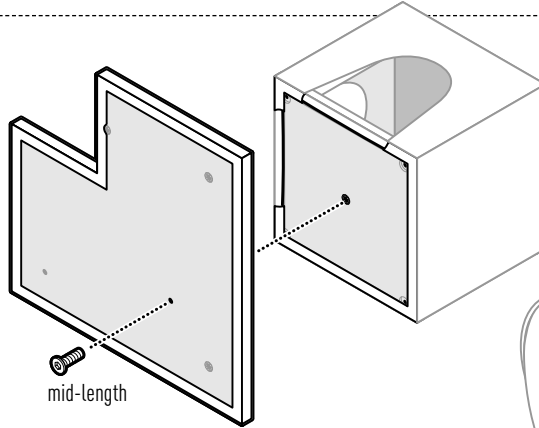
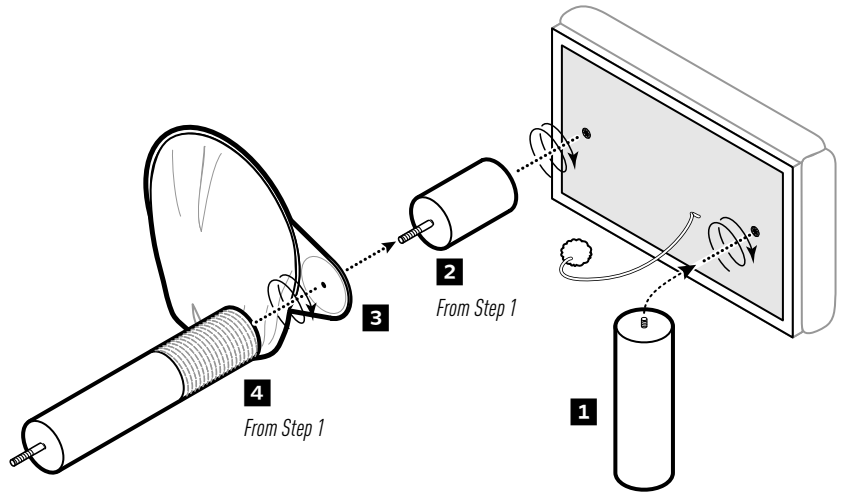


2 PIECES

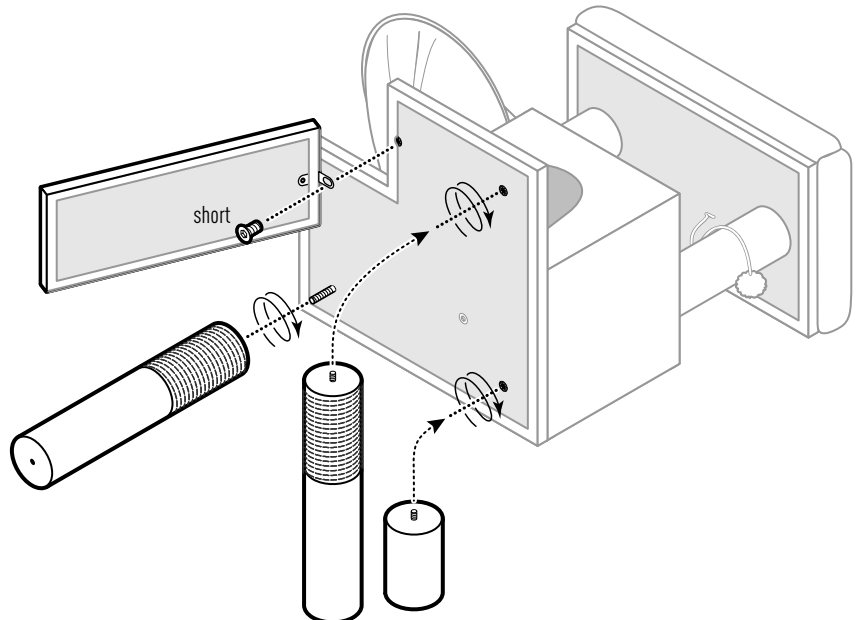
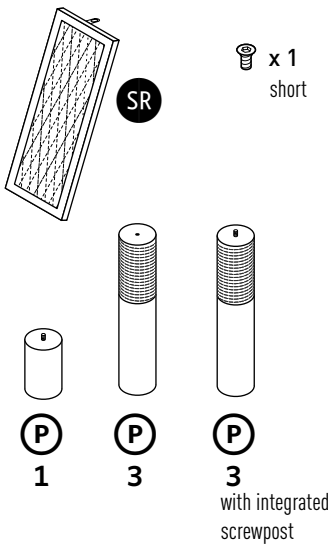


x 1 mid-length

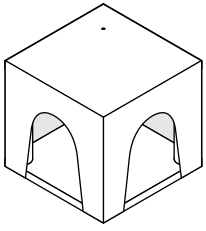
x 1 long



3 PIECES

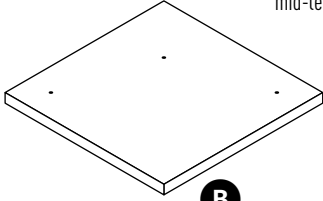


4 PIECES



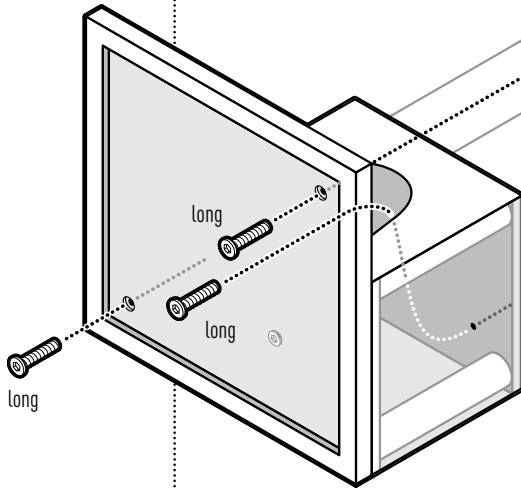
Pre-assembled
hideaway from
Step 1

x 1
mid-length



B

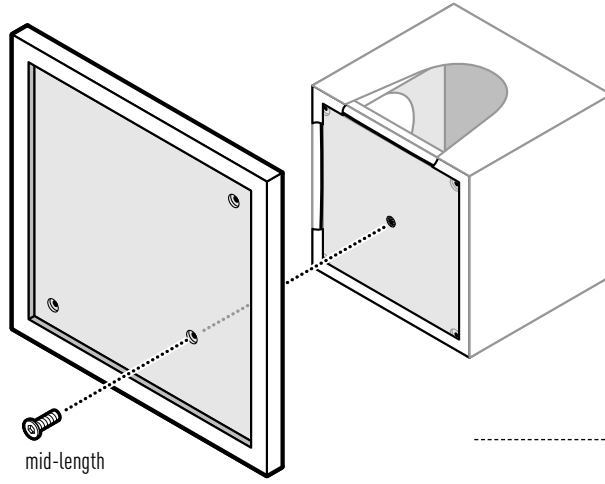
x 3
long



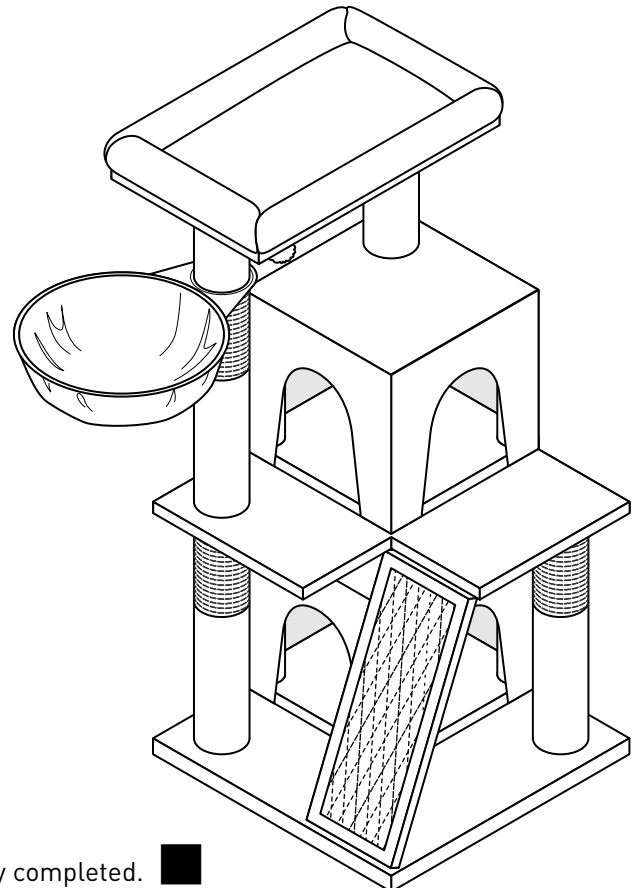
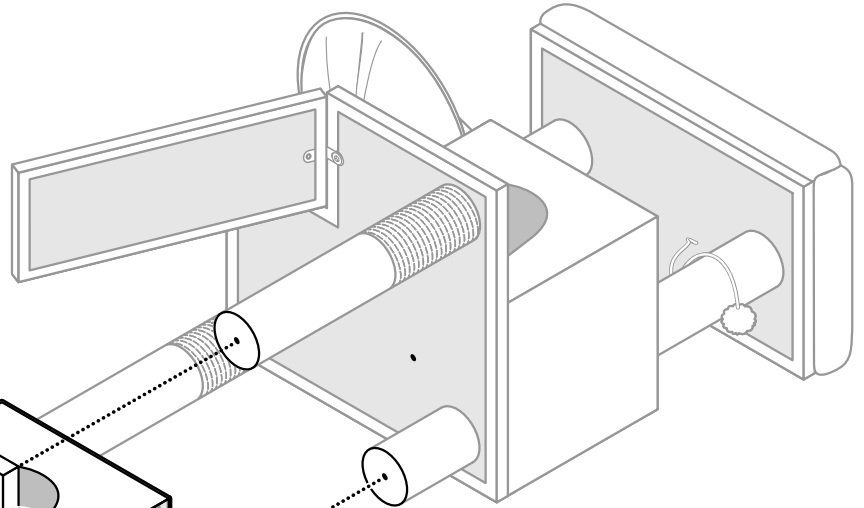
long

long

long



mid-length



Assembly completed. ■