

KEY:

C = Cab P = Pillow
BB = Bed Base W = Wheel
BS = Bed Side S = Shifter



Short Hex Screws
8 pcs



Long Hex Screws
8 pcs



Bracket
4 pcs



Allen Wrench



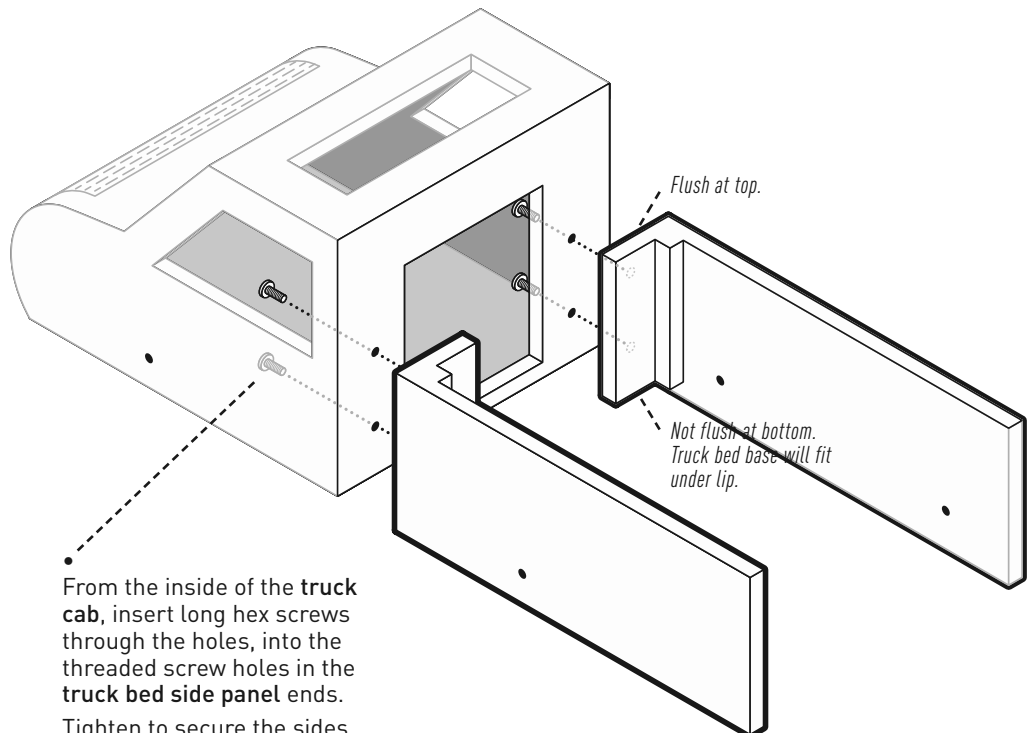
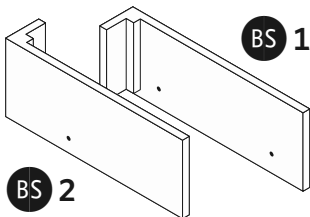
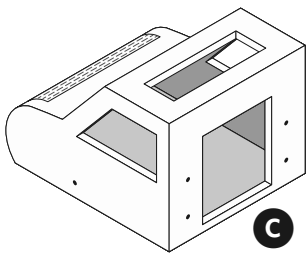
These parts are interchangeable:

W = All are the same

ASSEMBLY

1 PIECES

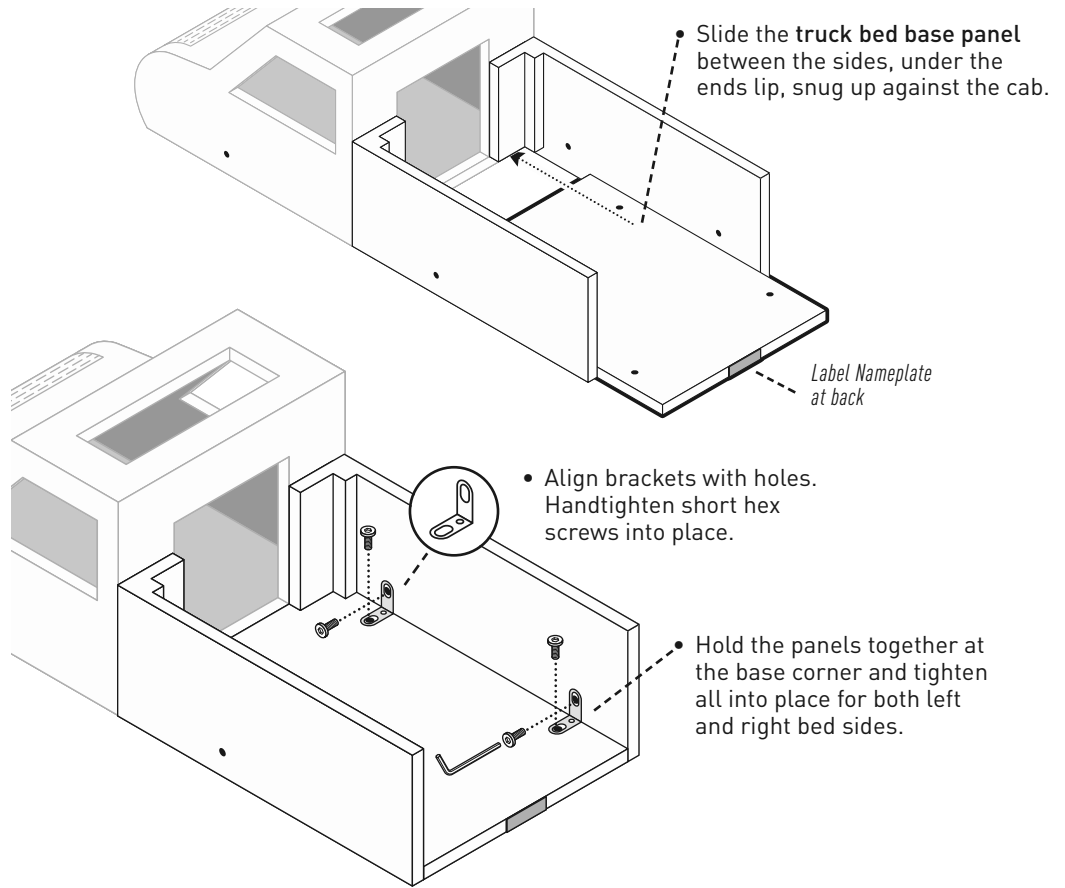
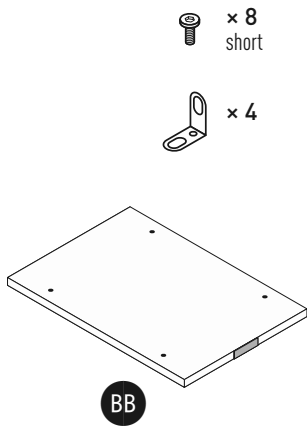
× 4
long



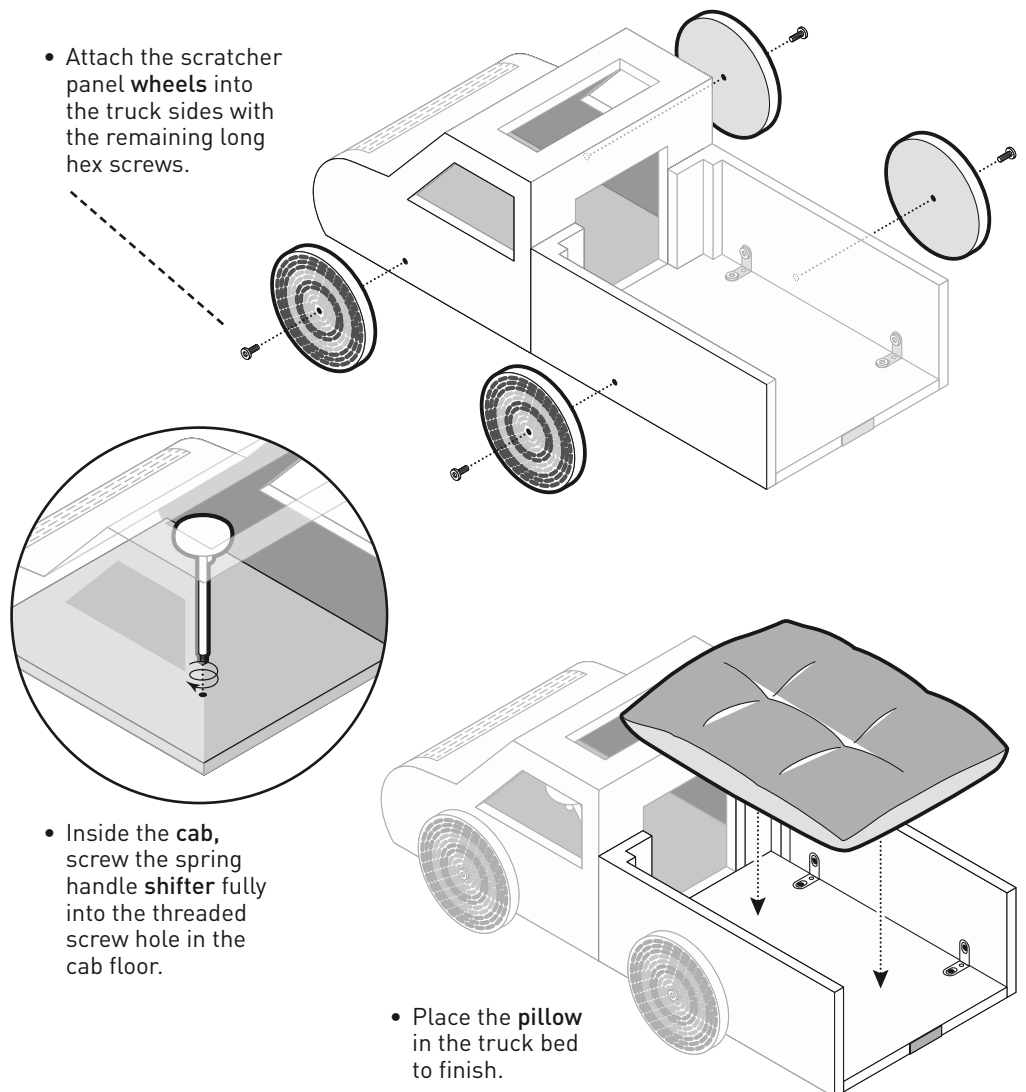
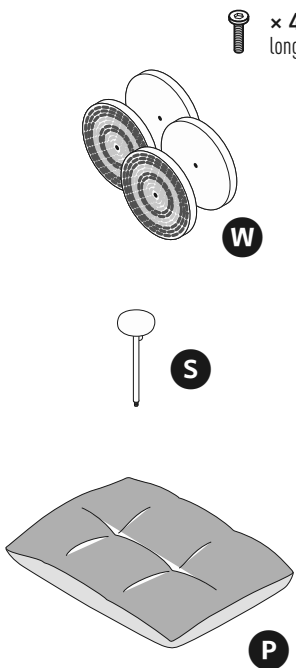
From the inside of the truck cab, insert long hex screws through the holes, into the threaded screw holes in the truck bed side panel ends.

Tighten to secure the sides in place.

2 PIECES



3 PIECES



Assembly completed. ■