

Parakeet Manor Cage ASSEMBLY

Instructions online at www.prevuepet.com

CUSTOMER SUPPORT

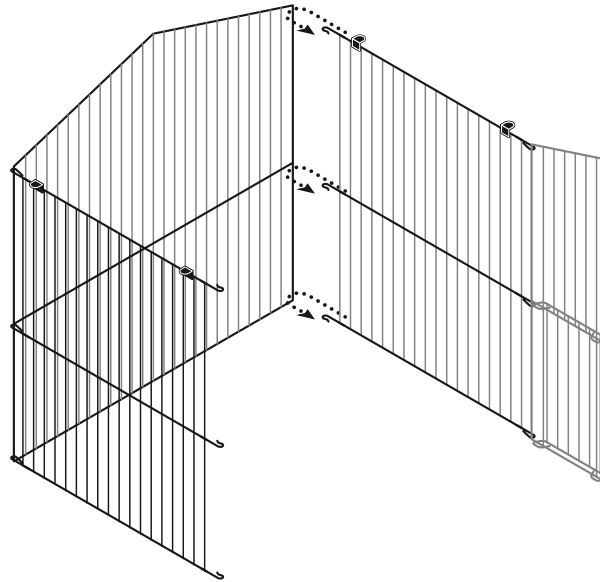
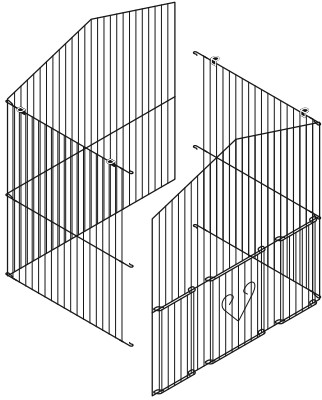
For assistance or replacement parts,
please contact Prevue Pet Products:

PHONE 1 (312) 243-3624

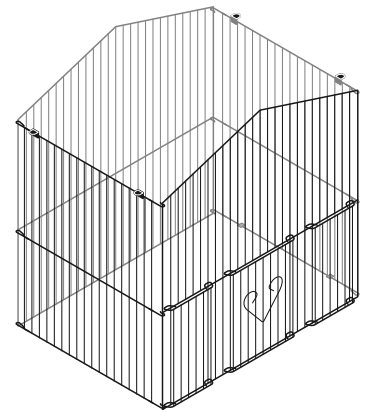
ONLINE www.prevuepet.com

EMAIL customerservice@prevuepet.com

1 PIECES

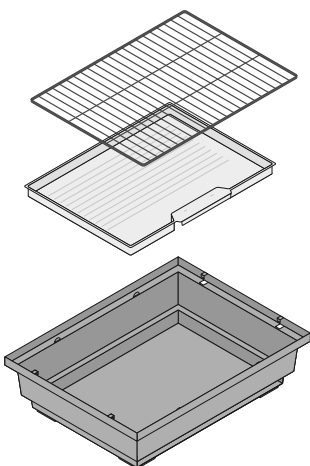


Add the right side panel to the back panel. Start at the bottom and fully pull the "R" hook over the vertical wire. Continue up the seam until all are fully linked.

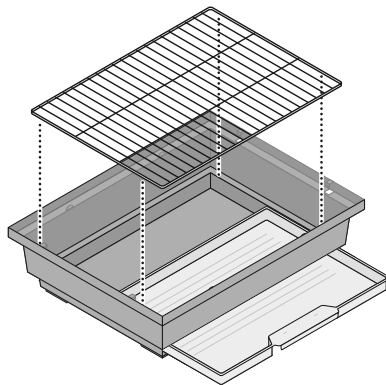


Weave the front panel/left side seam together using the same method to create the cage body.

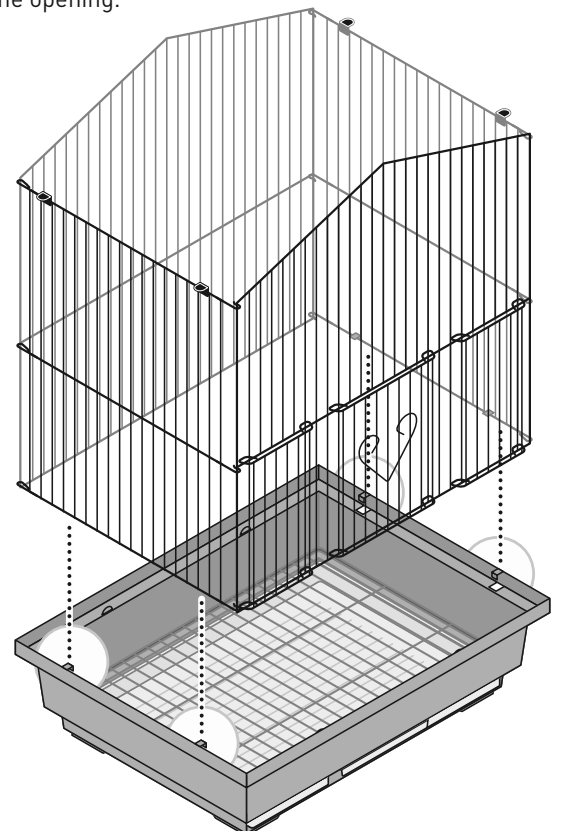
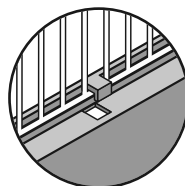
2 PIECES



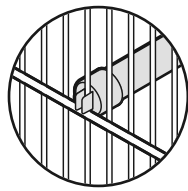
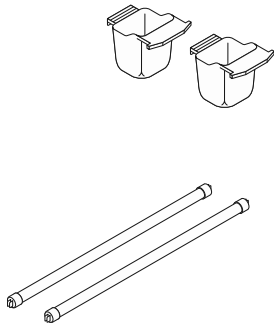
Place the removable grille into the base and slide the pull-out tray into the opening.



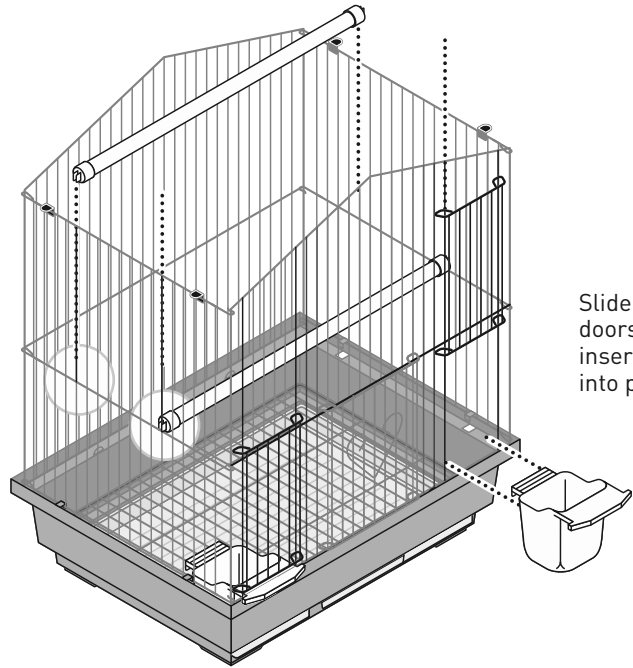
Set the assembled mesh into the base. Hook the side panels up under the extended plastic tabs along the rim of the base.



3 PIECES

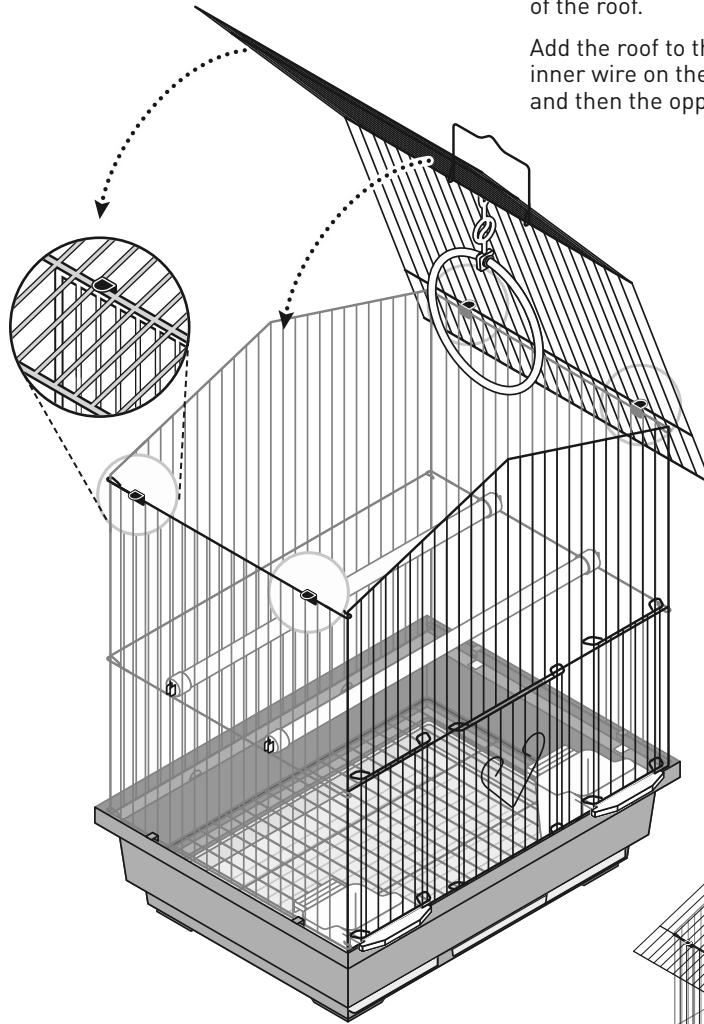
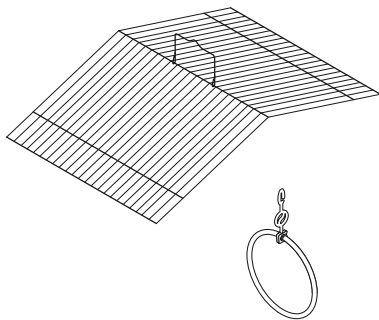


Install the perch ends on vertical wires, with the bottom resting on a horizontal wire for stability.



Slide the cup doors up and insert cups into place.

4 PIECES



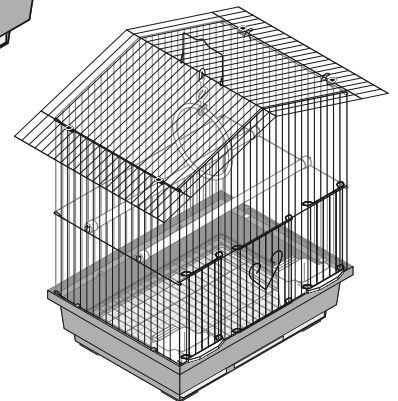
Start by hooking the swing onto the peak of the roof.

Add the roof to the cage by catching the inner wire on the tabs along one side, and then the opposite side.

CLEANING INSTRUCTIONS

To prolong the life of your new Prevue Pet Products cage, we recommend:

- When cleaning the cage and parts, use a soft cloth or non-abrasive scrub pad (such as Prevue's #109 Cage Saver).
- Wash all parts with warm water and a mild, pet-safe, environmentally friendly soap.
- Rinse thoroughly.
- Hand dry all parts completely with a soft dry cotton cloth before reassembling the cage.
- Do not leave plastic parts in the sun to dry as they may warp.



Assembly completed. 