

KEY:

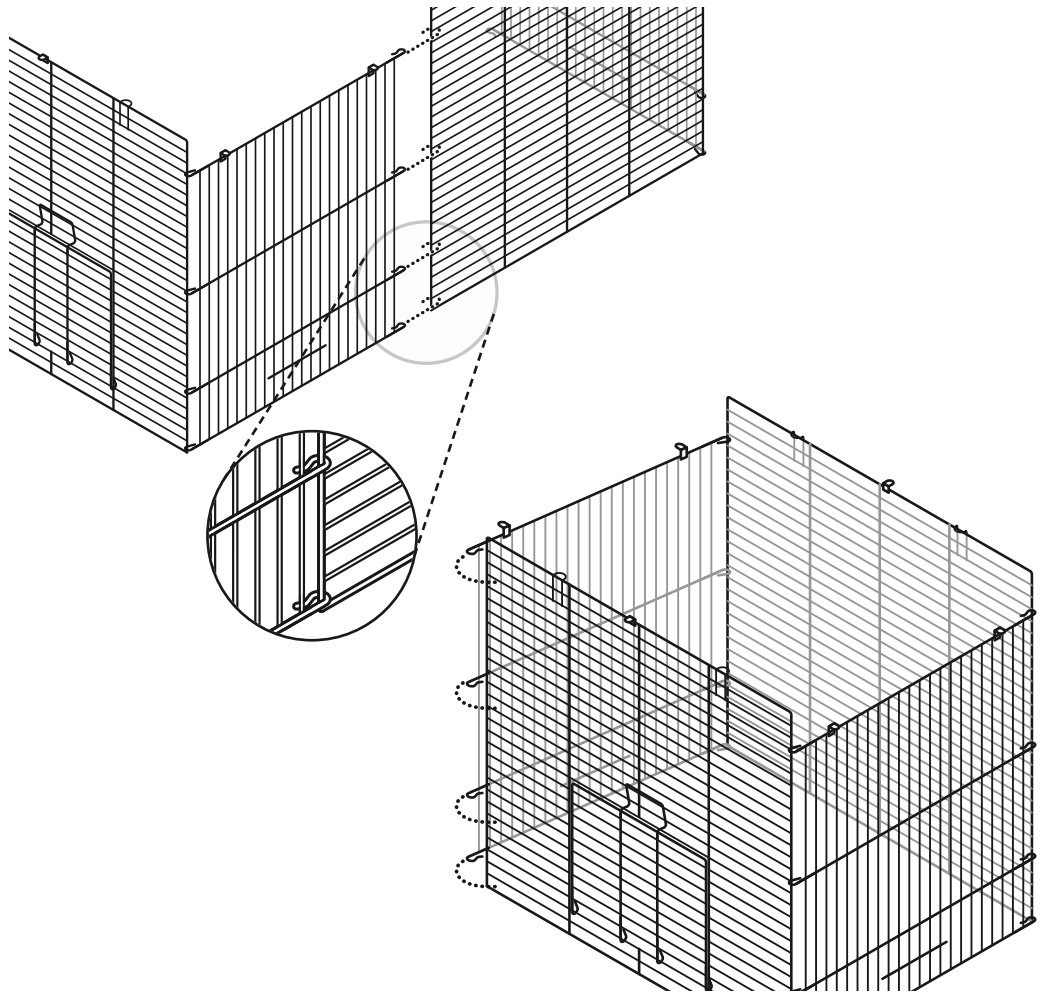
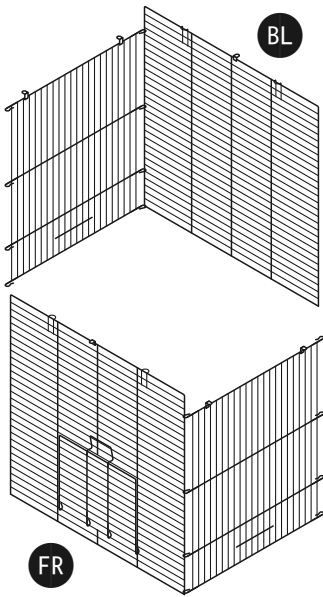
BL = Back-Left panel

FR = Front-Right panel

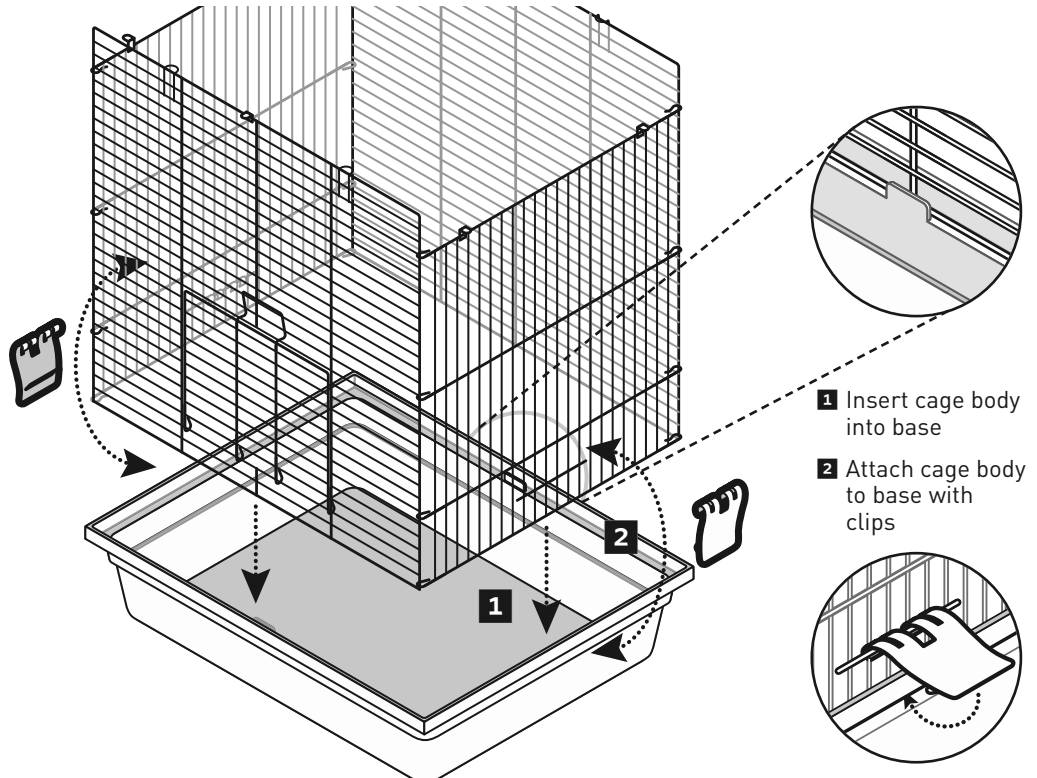
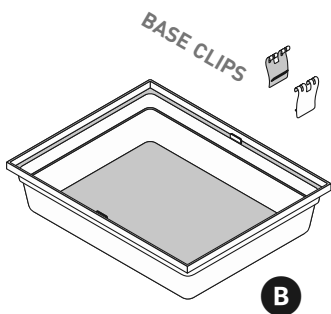
B = Base

R = Roof

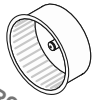
1 PIECES



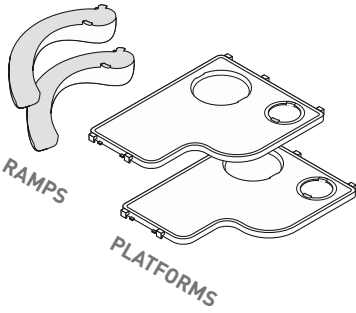
2 PIECES



3 PIECES



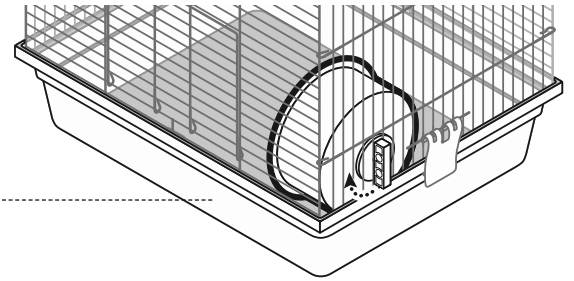
EXERCISE WHEEL



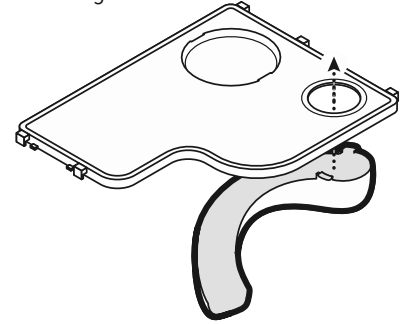
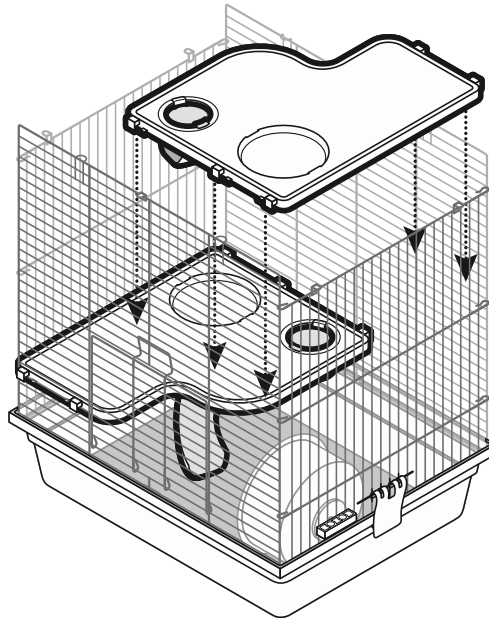
RAMPS

PLATFORMS

1 Insert handle on wheel through cage wire and turn to lock wheel onto cage body

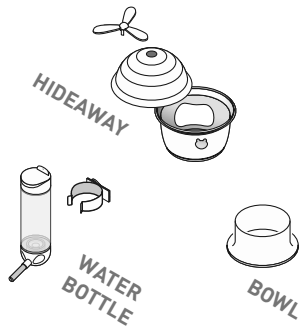
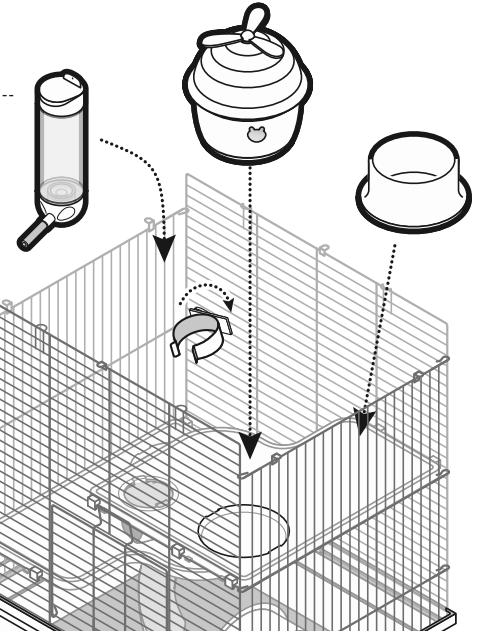


2 Add ramps onto platforms, then install platforms into cage



3 Add water bottle holder first, then insert the water bottle

4 Assemble the hideaway; clip the channel on the hideaway base into the tabs in the platform

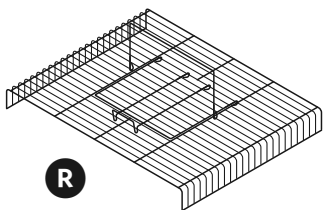


HIDEAWAY

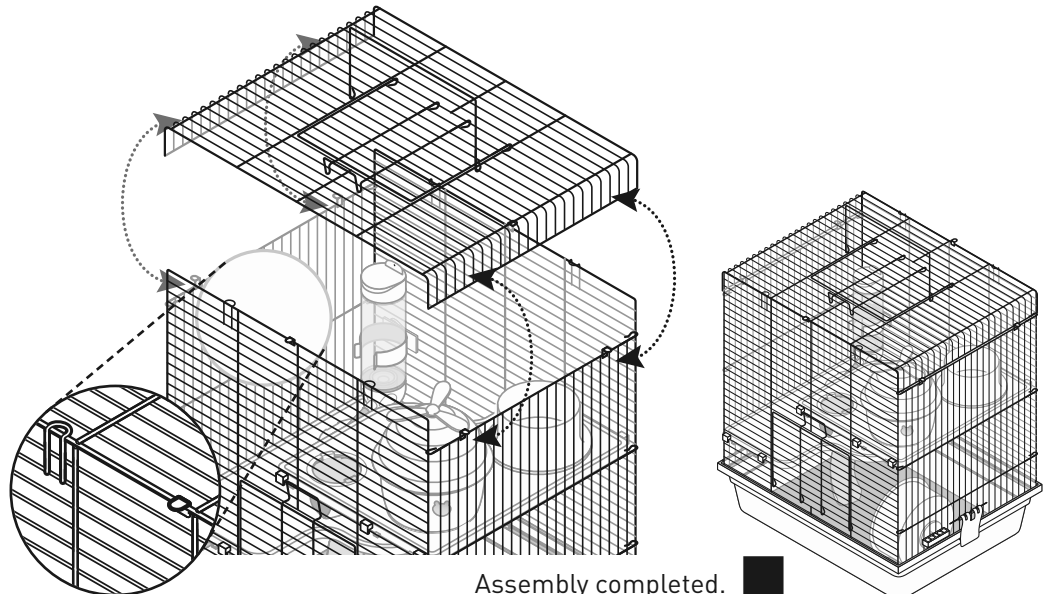
WATER BOTTLE

BOWL

4 PIECES



R



Assembly completed. ■