

**KEY:**

- R = Roof
- C = Cab
- LW = Large Wheel (2)
- SW = Small Wheel (4)
- S = Scratcher (2)
- CT = Chimney Toy
- BH = Barrel Hideaway
- U = Undercarriage



**[A] Hex Screw**  
32mm L - 10 pc



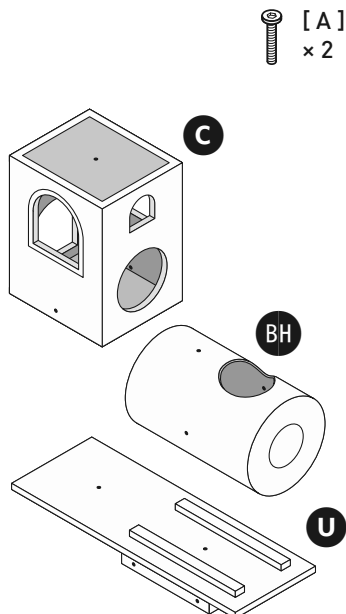
**[B] Hex Screw**  
24mm L - 2 pc



**Hex Key**

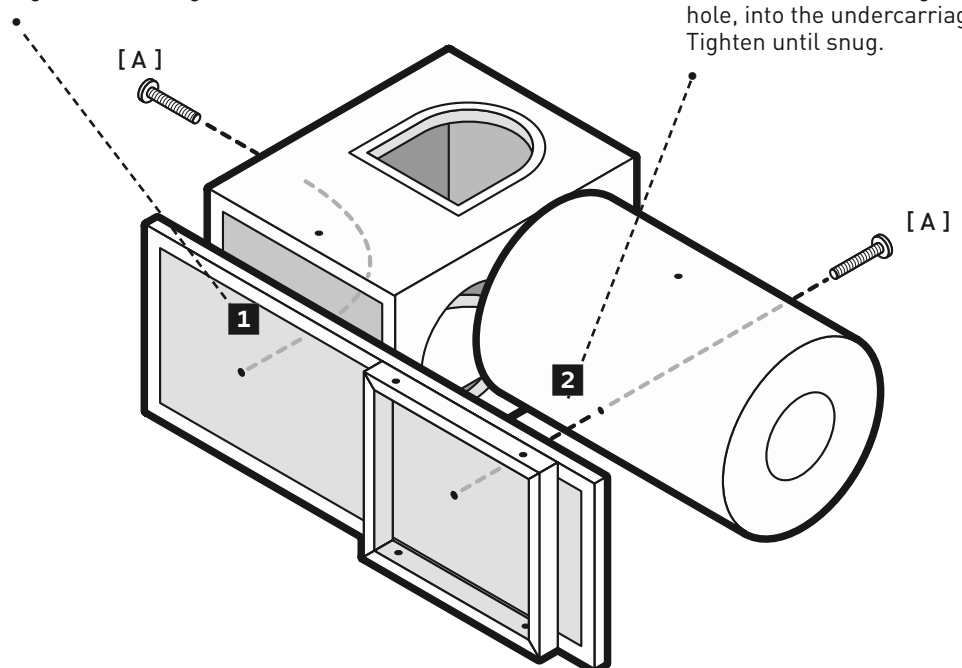
# ASSEMBLY

## 1 PIECES

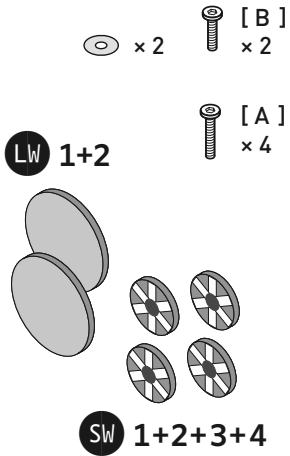


**1** From the cab interior, insert an [A] hex screw down through the hole, into the undercarriage. Tighten until snug.

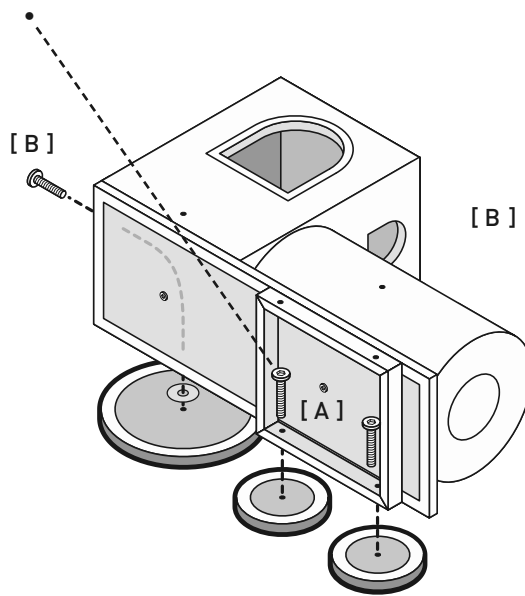
**2** From the inside of the hideaway barrel, insert an [A] hex screw down through the hole, into the undercarriage. Tighten until snug.



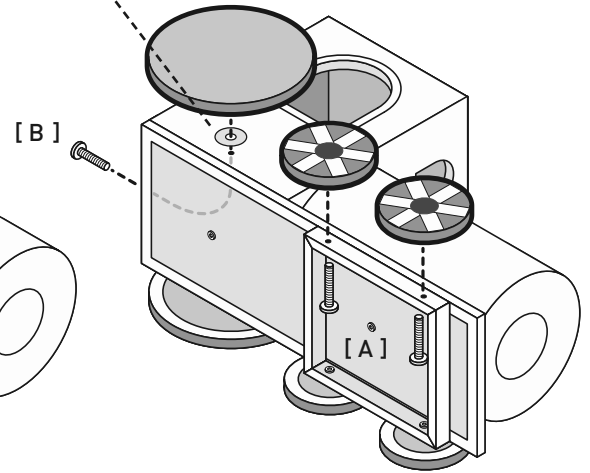
## 2 PIECES



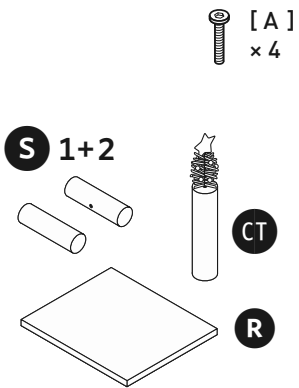
**Small Wheels:** Insert an [A] hex screw through the hole in the frame. Twist a **small wheel** onto the screw post. Tighten the screw until snug.



**Large Wheels:** Insert a [B] hex screw from the interior of the cab, out through the hole. On the exterior, add a washer and then twist a **large wheel** onto the screwpost. From the interior, tighten the screw until snug.



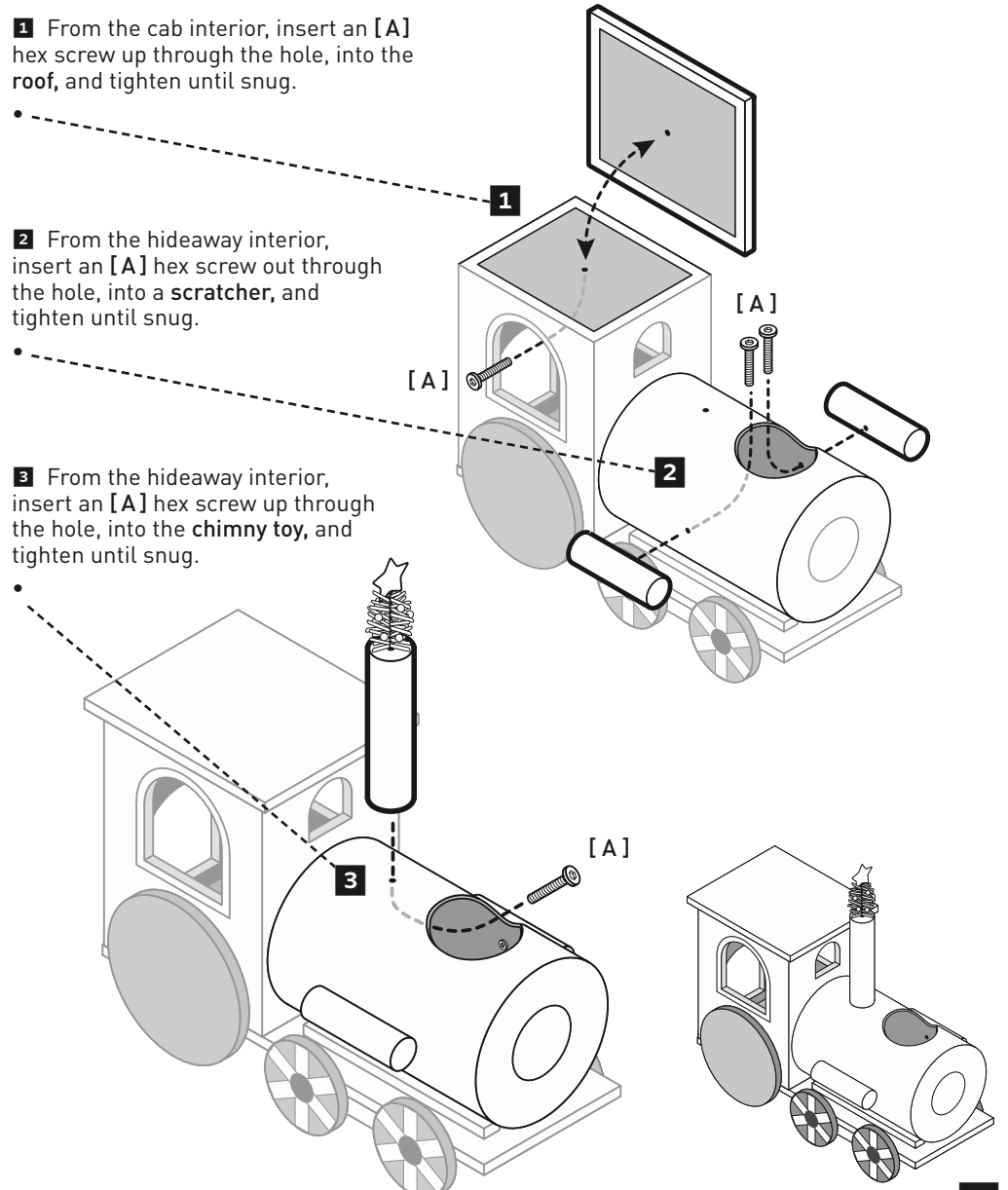
## 3 PIECES



**1** From the cab interior, insert an [A] hex screw up through the hole, into the **roof**, and tighten until snug.

**2** From the hideaway interior, insert an [A] hex screw out through the hole, into a **scratcher**, and tighten until snug.

**3** From the hideaway interior, insert an [A] hex screw up through the hole, into the **chimny toy**, and tighten until snug.



Assembly completed. ■