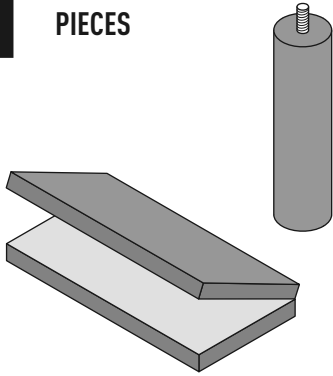
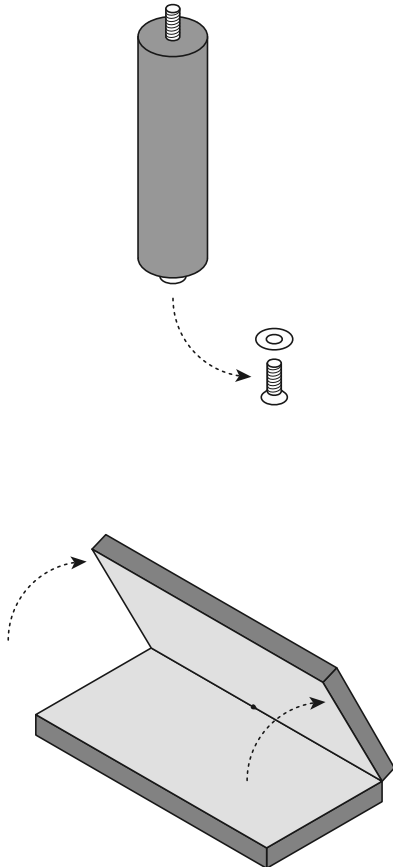


TOOLS REQUIRED : Slotted screwdriver (not included) • For best results, follow Assembly Steps in the order presented.

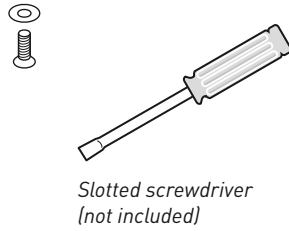
1 PIECES



Remove the hardware from the post.
Unfold the base.

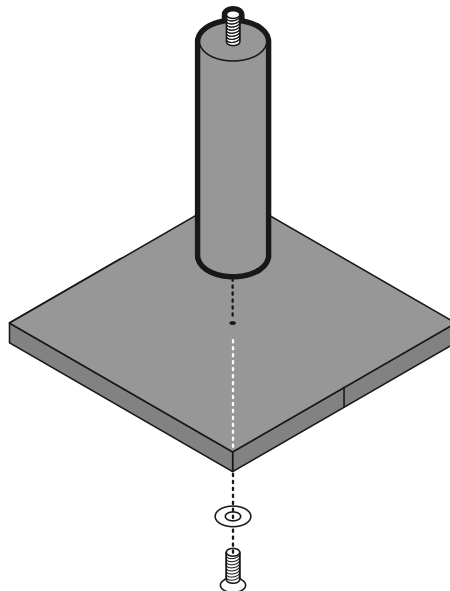


2

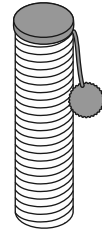


*Slotted screwdriver
(not included)*

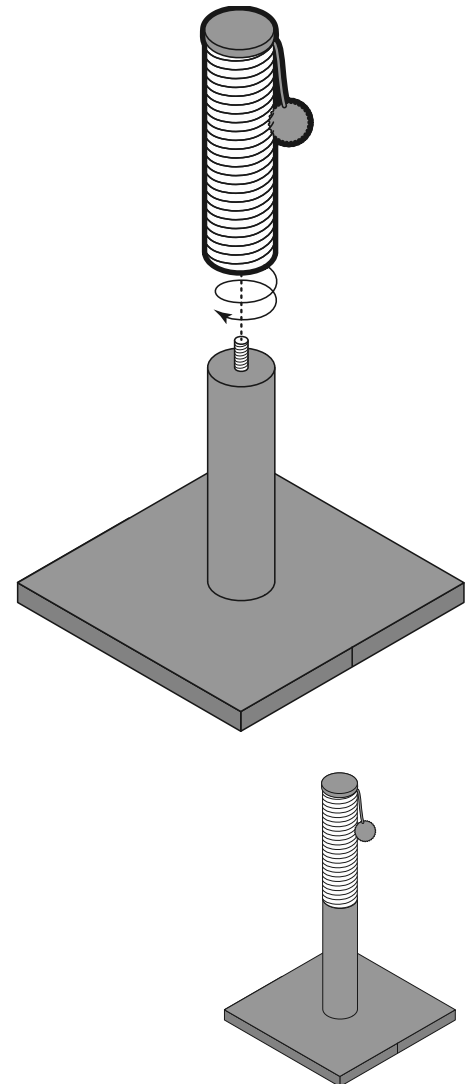
Place the washer on the screw.
Tighten the screw through the base
and into the post.



3 PIECES



Twist the jute scratcher/toy post
onto the screw end of the push post
to finish the assembly.



Assembly complete. 