

KEY:

C = Cab P = Pillow
BB = Bed Base W = Wheel (4)
BS = Bed Side (2) S = Shifter
A = Antenna



Short Hex Screw
8 pcs



Long Hex Screw
8 pcs



Bracket
4 pcs



Hex Key



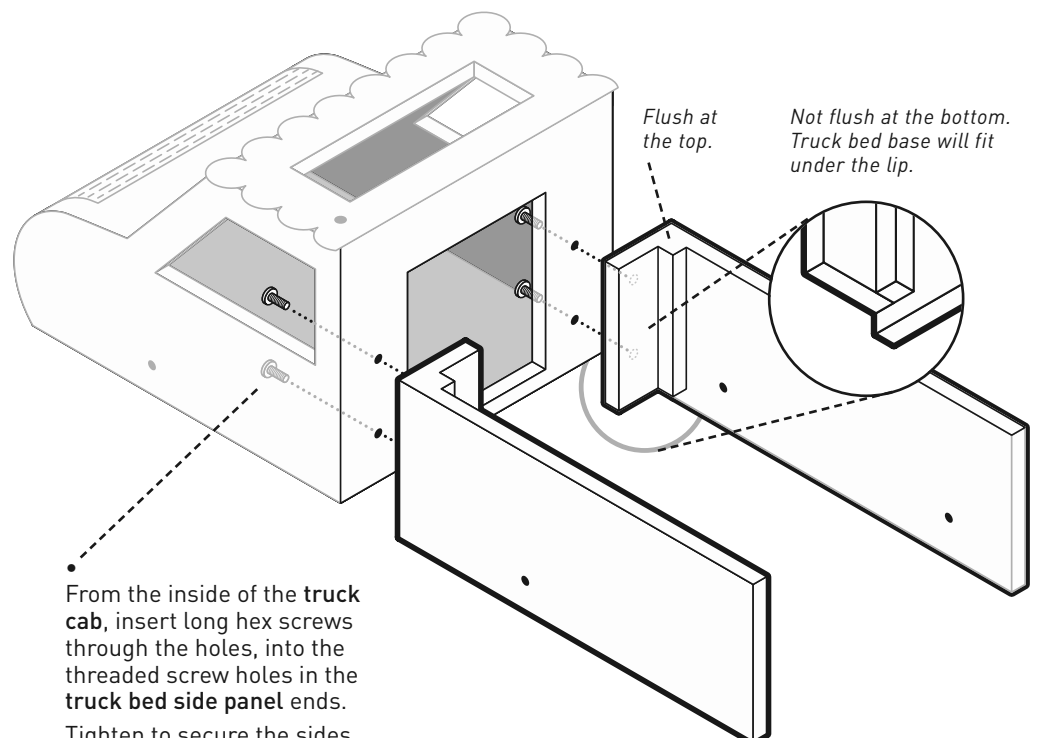
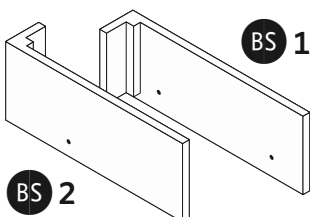
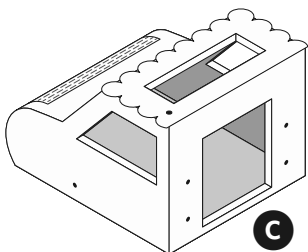
These parts are interchangeable:

W = All are the same

ASSEMBLY

1 PIECES

× 4
long



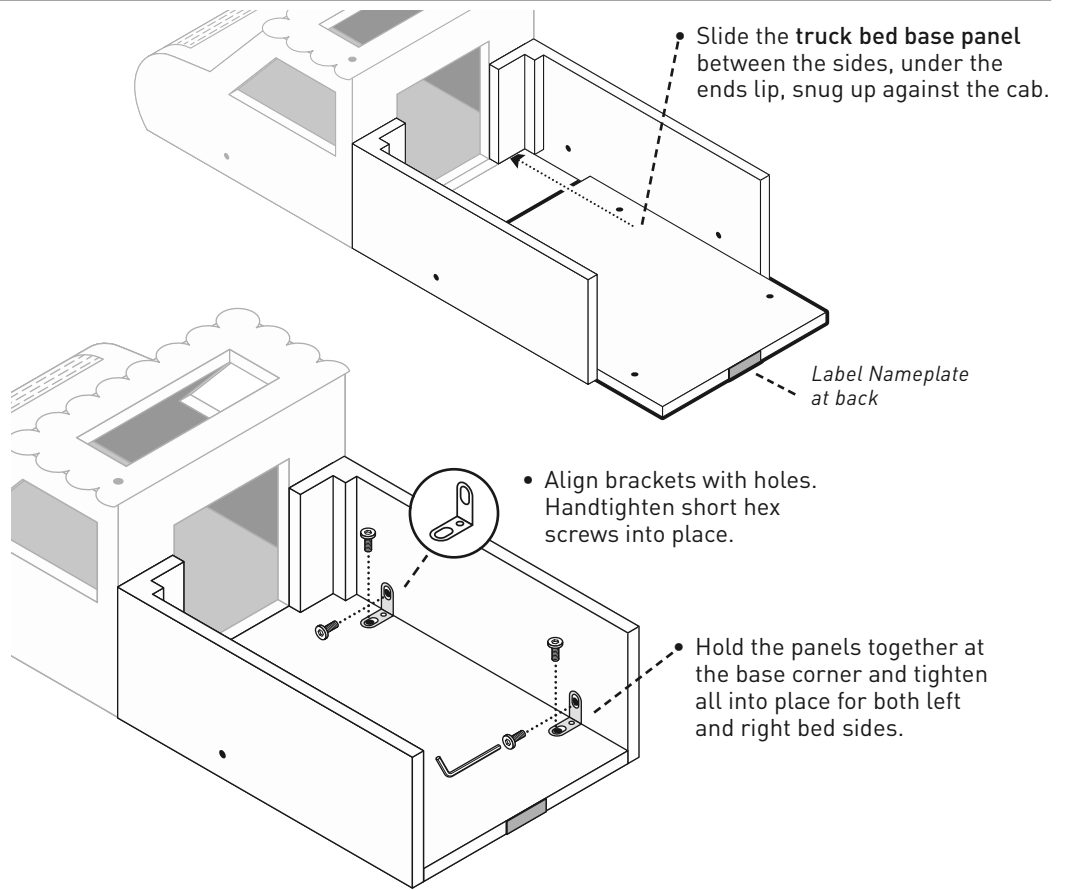
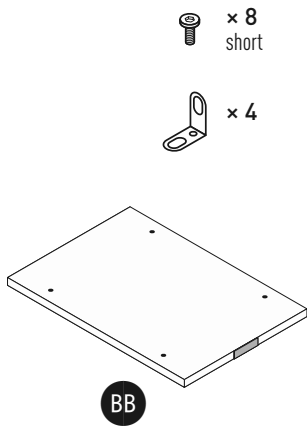
Flush at the top.

Not flush at the bottom. Truck bed base will fit under the lip.

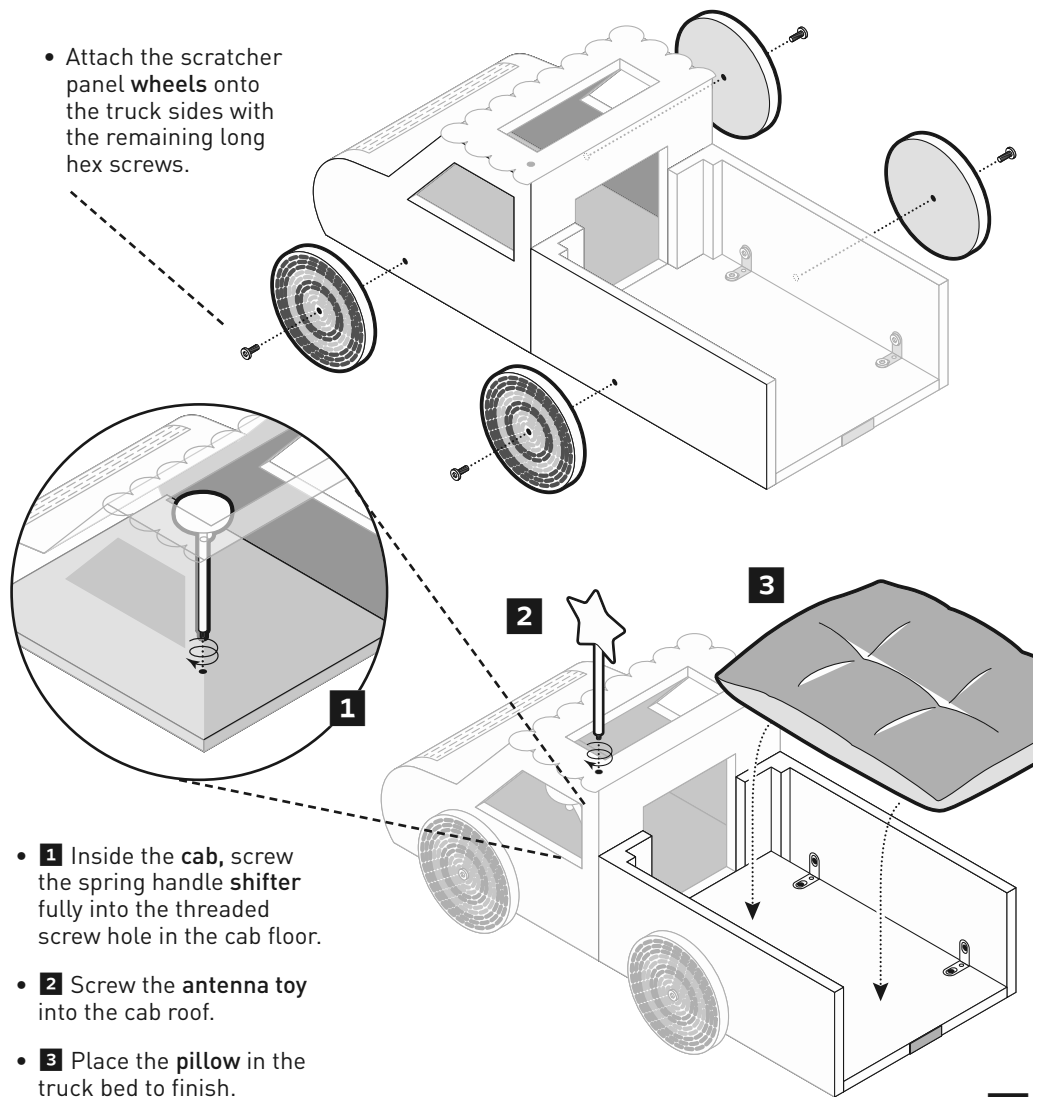
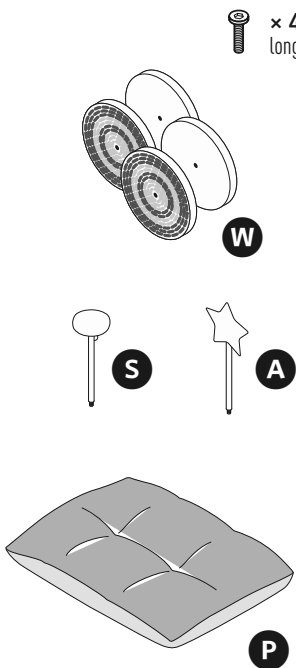
From the inside of the truck cab, insert long hex screws through the holes, into the threaded screw holes in the truck bed side panel ends.

Tighten to secure the sides in place.

2 PIECES



3 PIECES



Assembly completed. ■