

**KEY:**

- S = Star
- T1 = Tree (top)
- T2 = Tree (middle)
- T3 = Tree (bottom)
- TB = Tree Base
- TT = Tree Trunk
- B1 = Small Base
- B2 = Large Base


**TOOLS:**

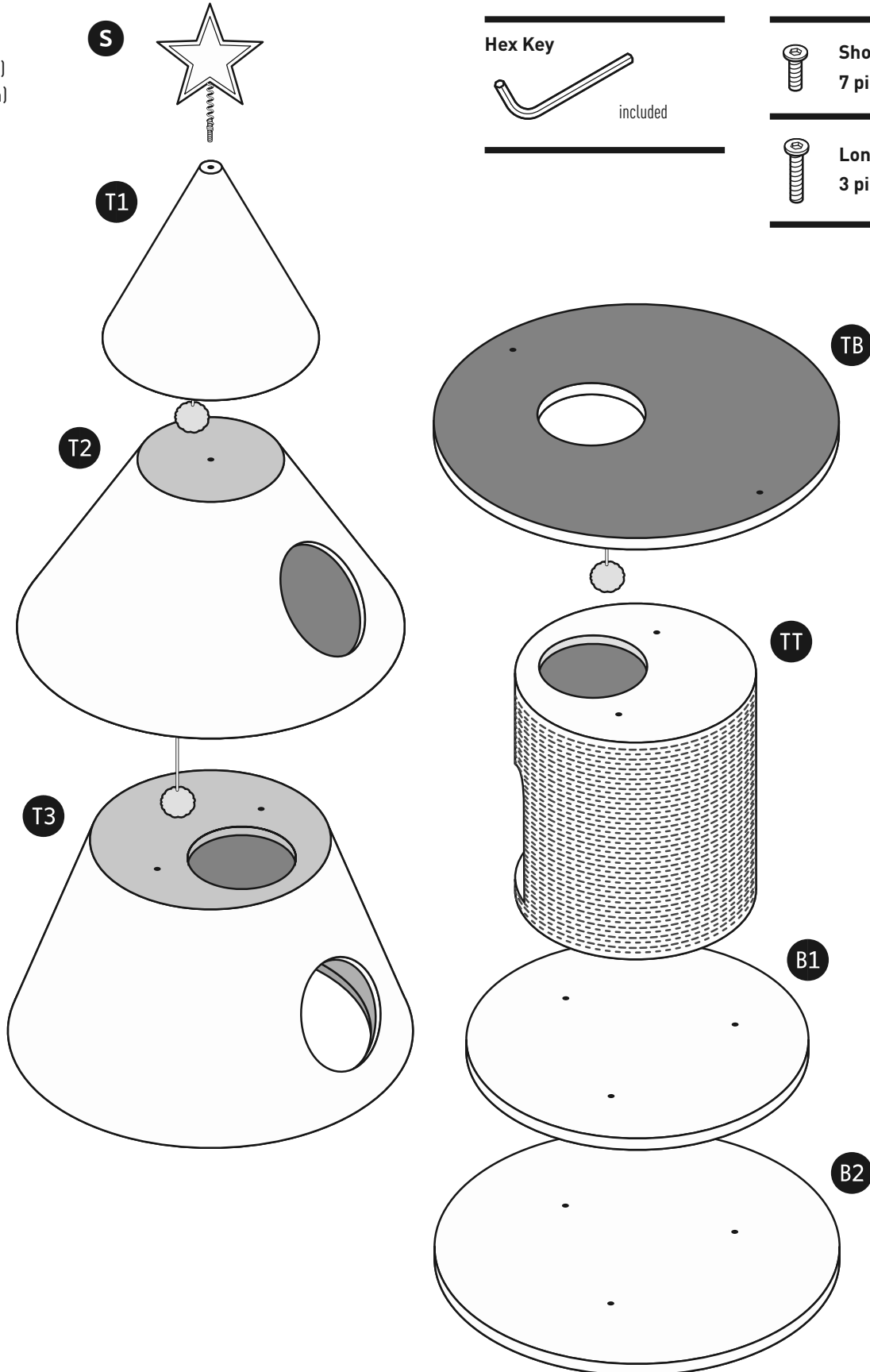
Hex Key



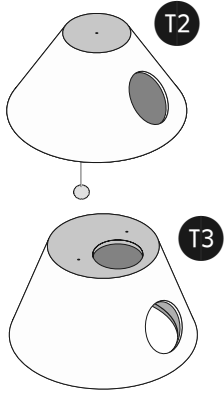
**HARDWARE:**

 **Short Hex Screw**  
**7 pieces**

 **Long Hex Screw**  
**3 piece**

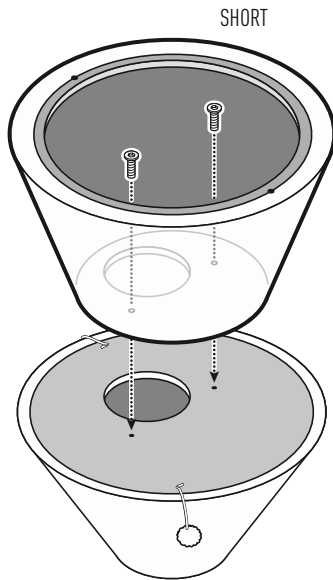


**1** PIECES

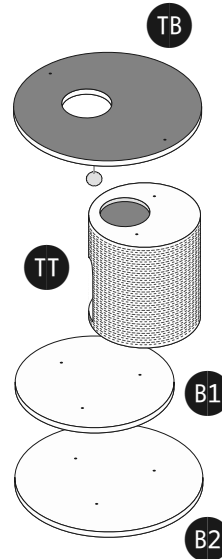


x 2 short

For Step 1 and 2, turn the pieces up-side-down for ease of assembly.

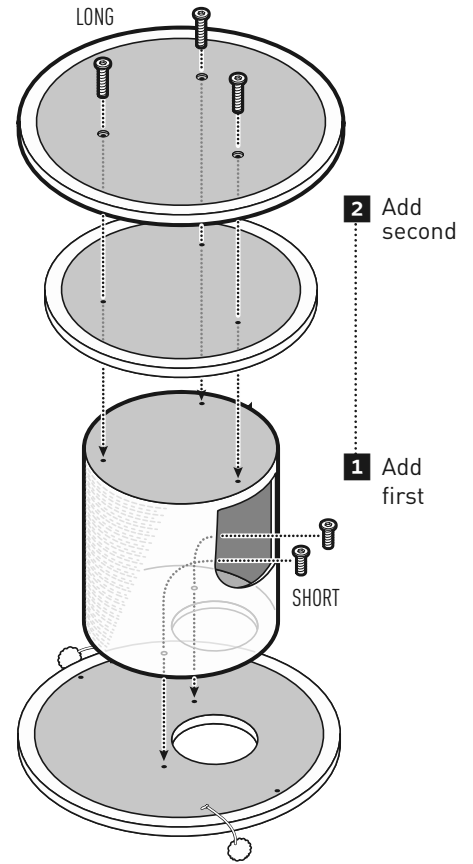


**2** PIECES



x 2 short

x 3 long

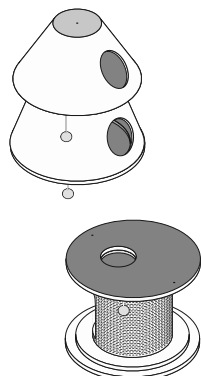


**3** PIECES

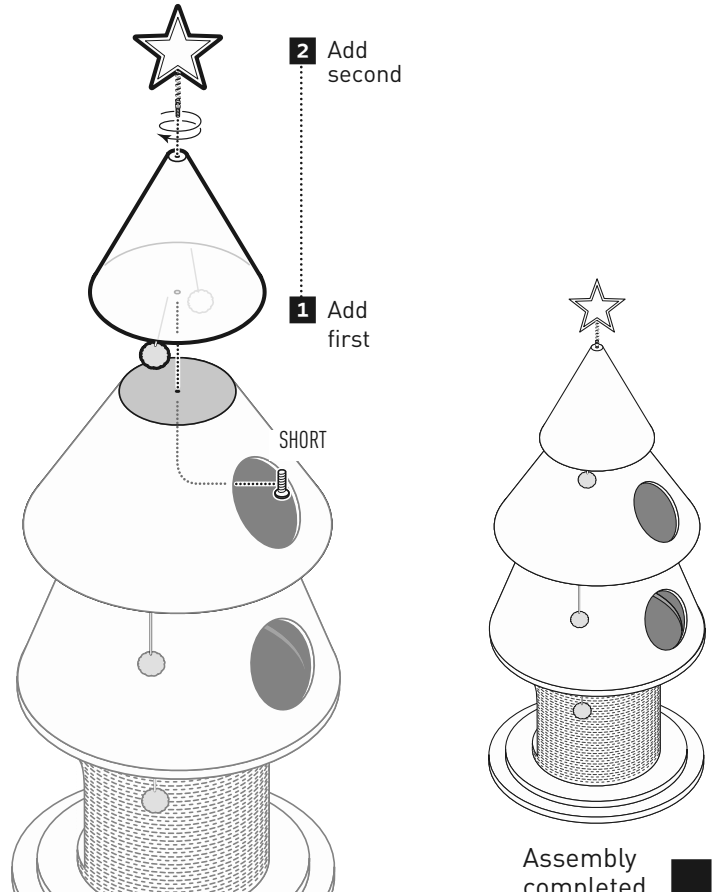
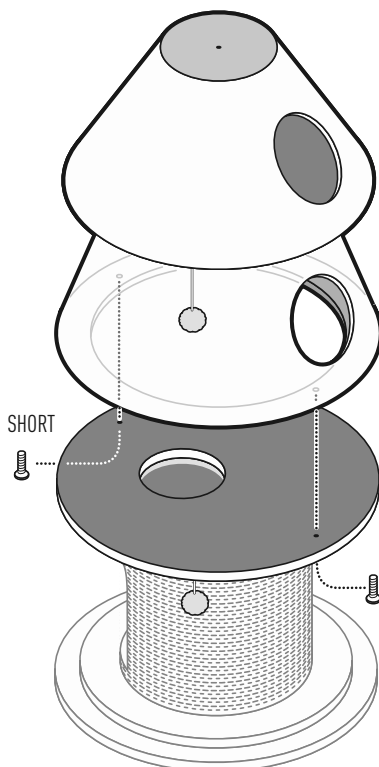


x 3 short

Plus, assembled units from Step 1 & 2



Flip assembled units right-side-up and continue the assembly.



Assembly completed.