

Southbeach Collection
/ Flat Top
ASSEMBLY

Instructions online at www.prevuepet.com

CUSTOMER SUPPORT

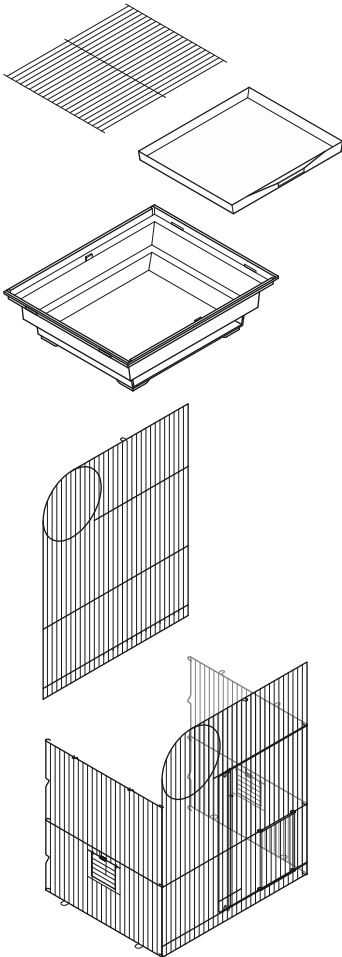
For assistance or replacement parts,
please contact Prevue Pet Products:

PHONE (312) 243-3624

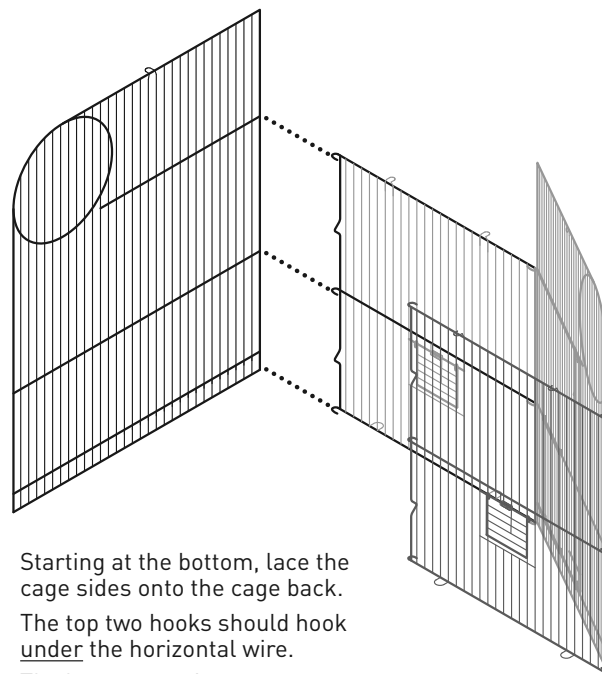
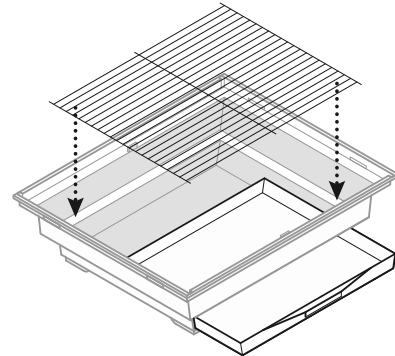
ONLINE prevuepet.com

EMAIL customerservice@prevuepet.com

1 PIECES



Place the removable grille into the base and slide the removable tray into the opening.

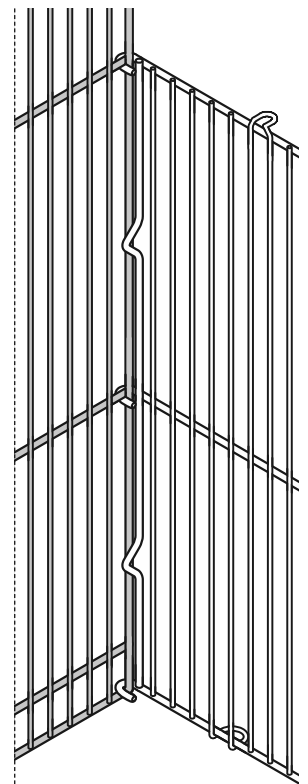


Starting at the bottom, lace the cage sides onto the cage back.

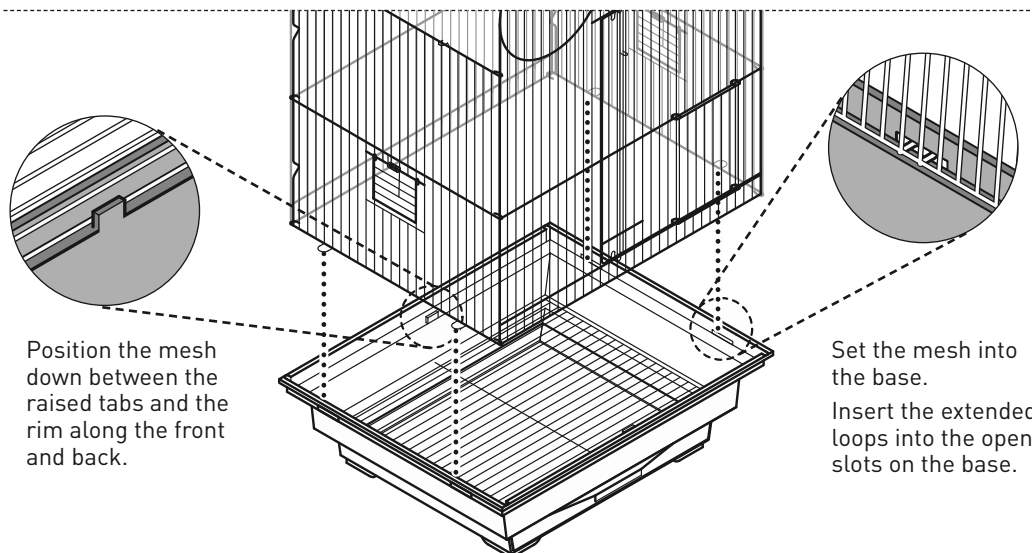
The top two hooks should hook under the horizontal wire.

The bump-out wires stay on the cage interior.

See detail for an example of the completed seam. →



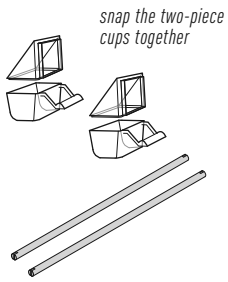
Detail of finished seam.



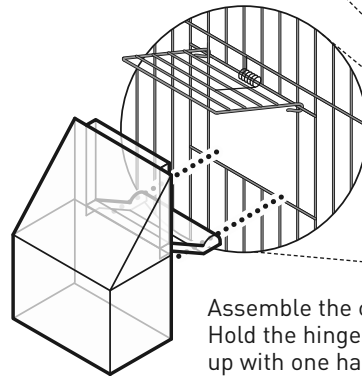
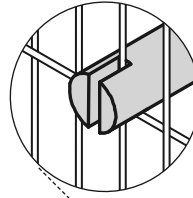
Position the mesh down between the raised tabs and the rim along the front and back.

Set the mesh into the base.
Insert the extended loops into the open slots on the base.

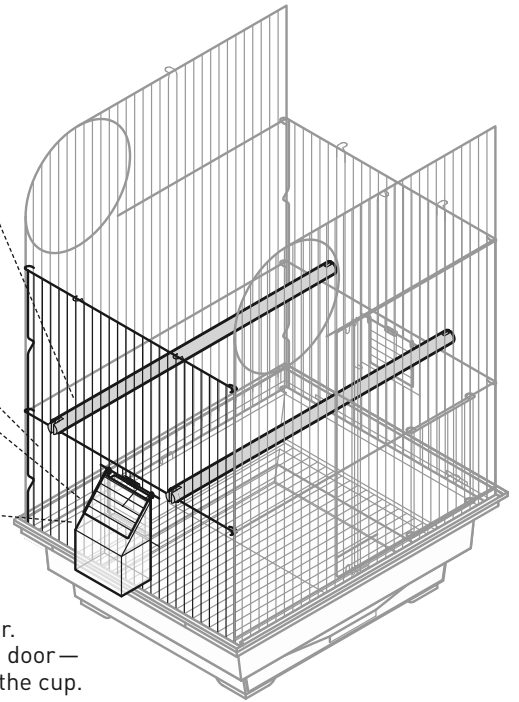
2 PIECES



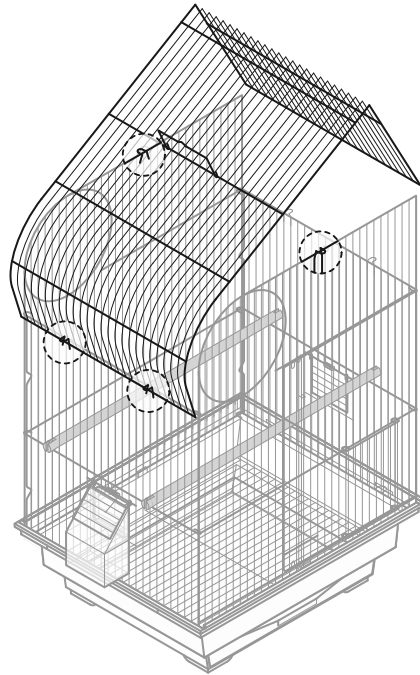
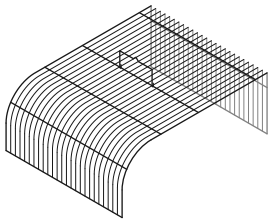
Install perches on vertical wires, resting on horizontal wires for stability.



Assemble the cups. Hold the hinged cup door up with one hand and insert a cup into place with the other. Be cautious when closing the door — avoid letting it snap down on the cup.

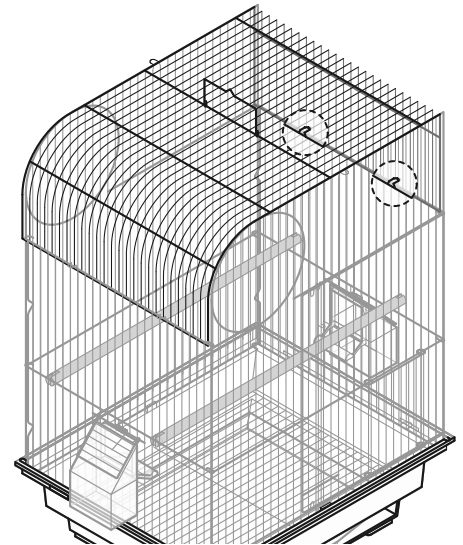


3 PIECES



Starting on one end, catch the roof on the looped hooks along the side. Then, catch the roof on the hooks along the front and back panels

Finish with catching the rooftop on the hooks at the opposite end.

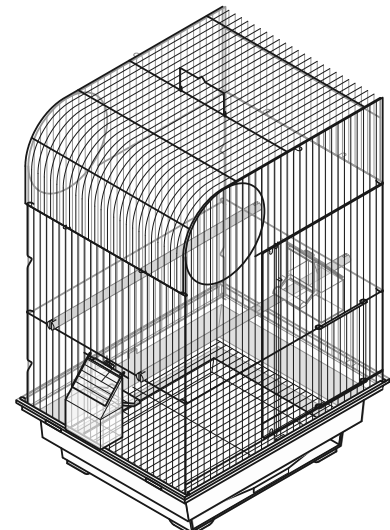


*

CLEANING INSTRUCTIONS

To prolong the life of your new Prevue Pet Products cage, we recommend:

- When cleaning the cage and parts, use a soft cloth or non-abrasive scrub pad (such as Prevue's Cage Saver (#109)).
- Wash all parts with warm water and a mild environmentally friendly, pet-safe soap.
- Rinse thoroughly.
- Hand dry all parts completely with a soft dry cotton cloth before reassembling the cage.
- Do not leave plastic parts in the sun to dry as they may warp.



Assembly completed.