

Southbeach Collection  
/WaveTop  
**ASSEMBLY**

Instructions online at [www.prevuepet.com](http://www.prevuepet.com)

**CUSTOMER SUPPORT**

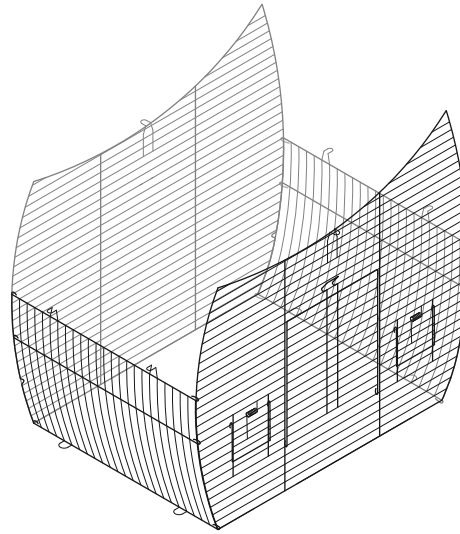
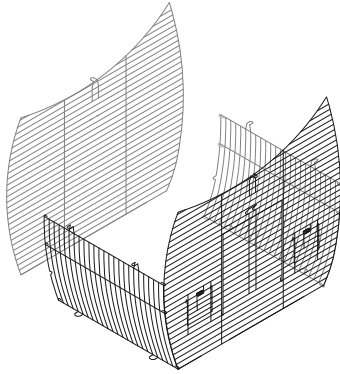
For assistance or replacement parts,  
please contact Prevue Pet Products:

**PHONE** (312) 243-3624

**ONLINE** [prevuepet.com](http://prevuepet.com)

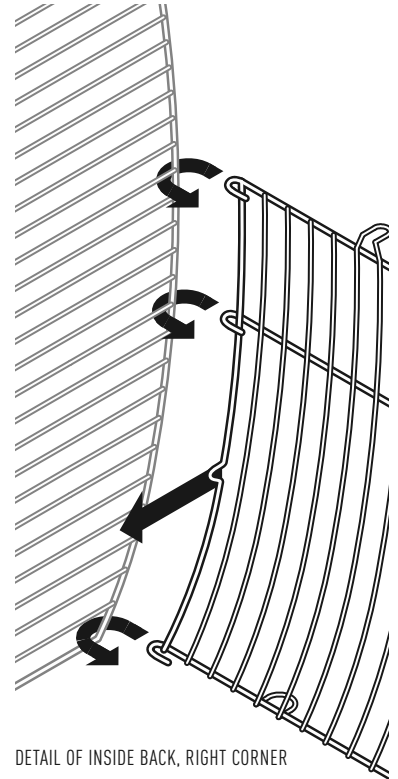
**EMAIL** [customerservice@prevuepet.com](mailto:customerservice@prevuepet.com)

**1** PIECES



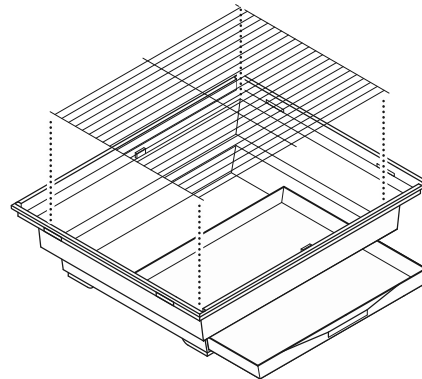
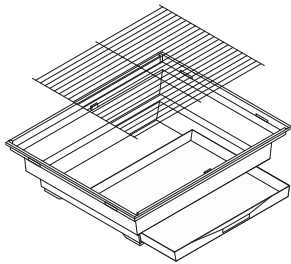
Starting from the bottom, catch the extended hooked wires of the side panel onto the back panel. The notched wire stays on the interior of the cage and acts as a backstop against the pull of the hooked wires.

Link one complete seam together, then use the same method on the other seam to finish.



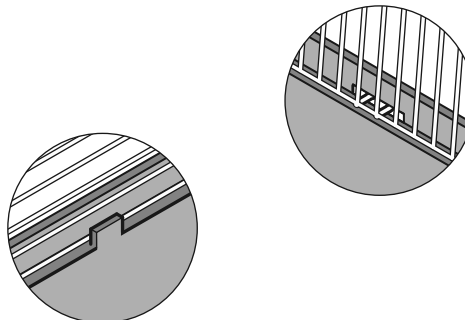
DETAIL OF INSIDE BACK, RIGHT CORNER

**2** PIECES

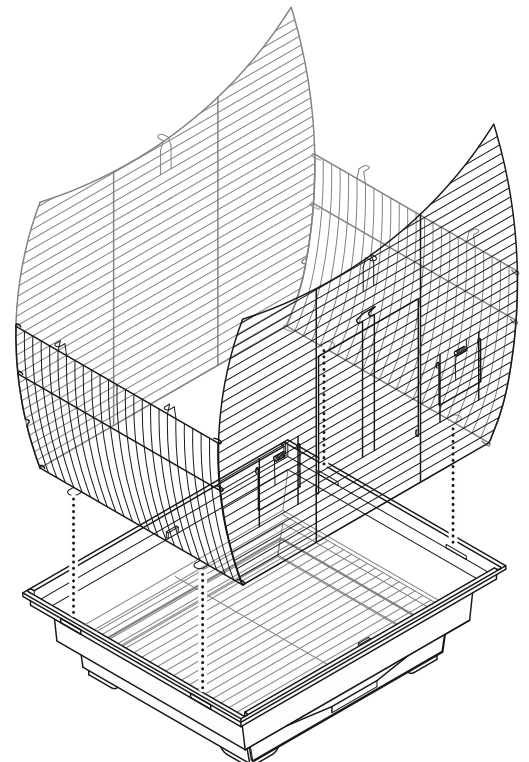


Place the removable grille into the base and slide the removable tray into the opening.

Set the assembled mesh into the base and insert the extended loops along the sides of the mesh into the open slots on the base.

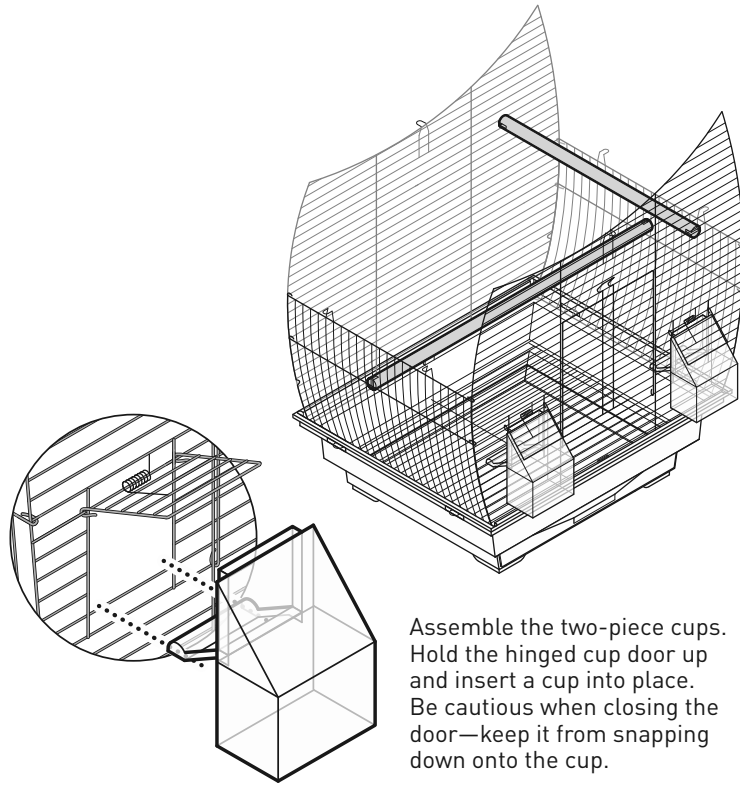
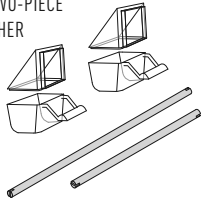


Along the front and back edges, set the mesh between the raised tabs and the rim.

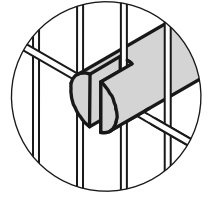
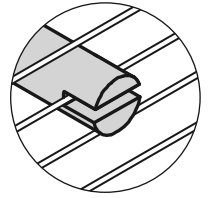


# 3 PIECES

SNAP THE TWO-PIECE CUPS TOGETHER



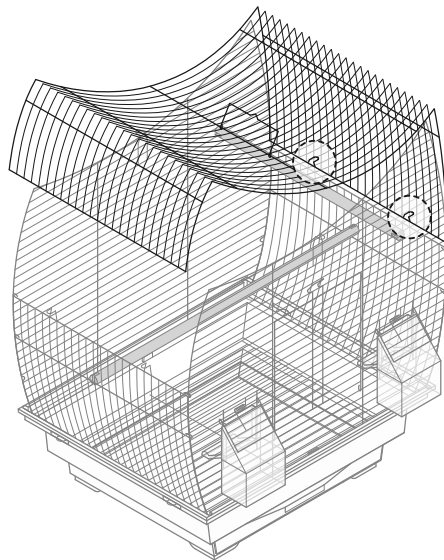
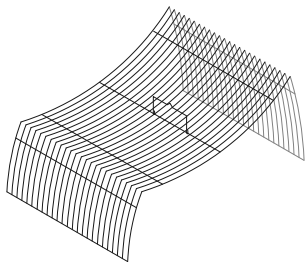
Assemble the two-piece cups. Hold the hinged cup door up and insert a cup into place. Be cautious when closing the door—keep it from snapping down onto the cup.



Install perches on horizontal wires at an equal height.

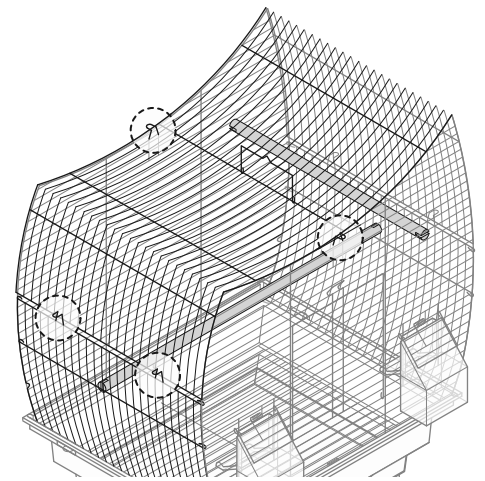
When installing a perch on a vertical wire, set the bottom to rest on a horizontal wire for stability.

# 4 PIECES



Starting on one end, catch the roof on the looped hooks along the side.

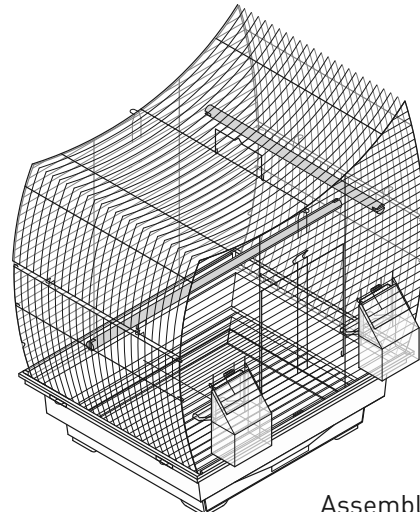
Then, catch the roof on the hooks along the front and back panels. Finish with catching the rooftop on the hooks at the opposite end.



## CLEANING INSTRUCTIONS

To prolong the life of your new Prevue Pet Products cage, we recommend:

- When cleaning the cage and parts, use a soft cloth or non-abrasive scrub pad (such as Prevue's Cage Saver (#109)).
- Wash all parts with warm water and a mild environmentally friendly, pet-safe soap.
- Rinse thoroughly.
- Hand dry all parts completely with a soft dry cotton cloth before reassembling the cage.
- Do not leave plastic parts in the sun to dry as they may warp.



Assembly completed. 