



North Pole Scratcher w/Toy ASSEMBLY

Instructions online at prevuepet.com

CUSTOMER SUPPORT

For assistance or replacement parts, please contact Prevue Pet Products:

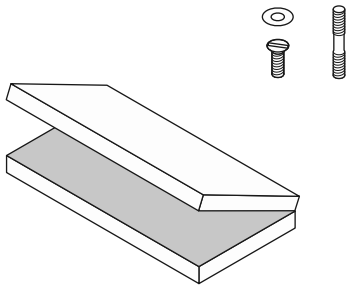
PHONE (312) 243-3624

ONLINE prevuepet.com

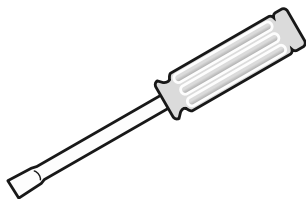
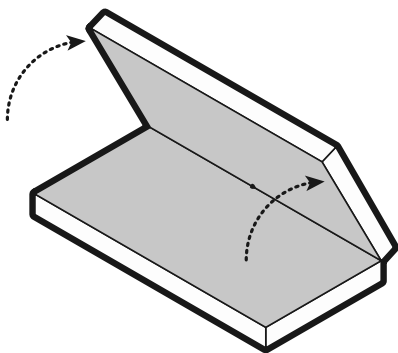
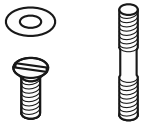
EMAIL customerservice@prevuepet.com

TOOLS REQUIRED : Slotted screwdriver (not included) • For best results, follow the Assembly Steps in the order presented.

1 PIECES

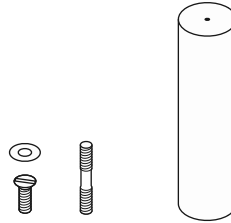


Remove the hardware from the bag.
Unfold the base.
Have a slotted screwdriver ready.



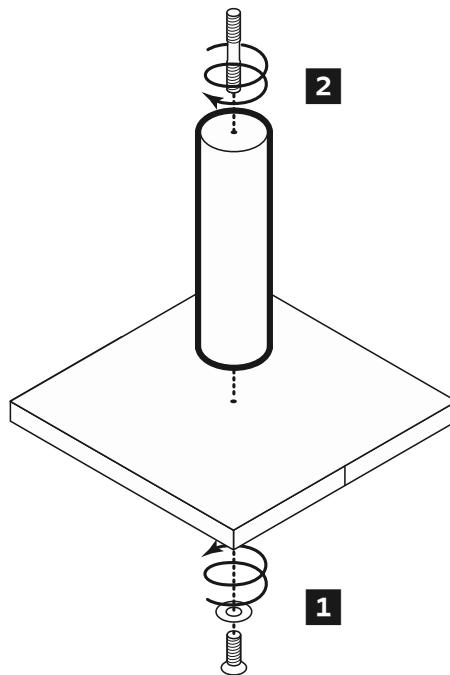
Slotted screwdriver
(not included)

2 PIECES

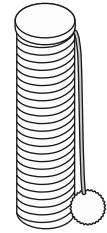


1 Place the washer on the screw.
Tighten the screw through the base
into the post.

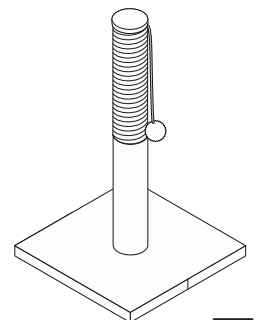
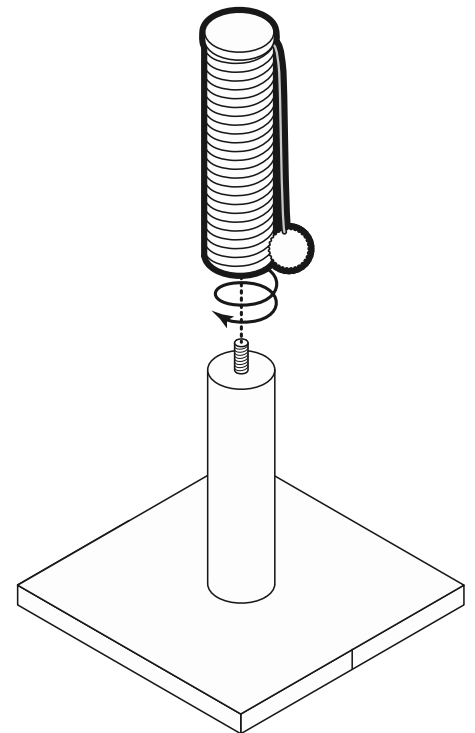
2 Twist the screwpost into the
plush fabric post.



3 PIECES



Twist the jute scratcher/toy post
onto the exposed screwpost to finish
the assembly.



Assembly complete. ■