

**KEY:**

DB = Daybed

SP = Scratching Post

W = Wave Panel

H = Hideaway

B = Base

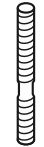
**HARDWARE & TOOLS**



Short Hex Screw  
1 piece (3.2 cm)

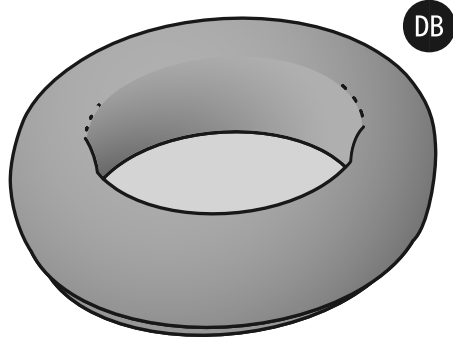


Long Hex Screw  
3 pieces (4 cm)

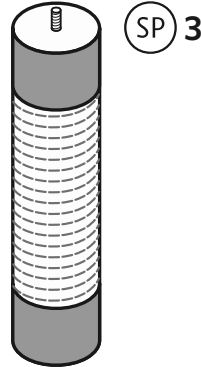


Screw Post  
1 piece

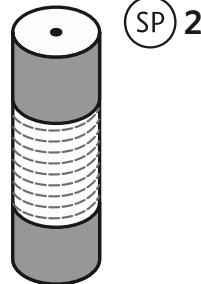
Hex Key



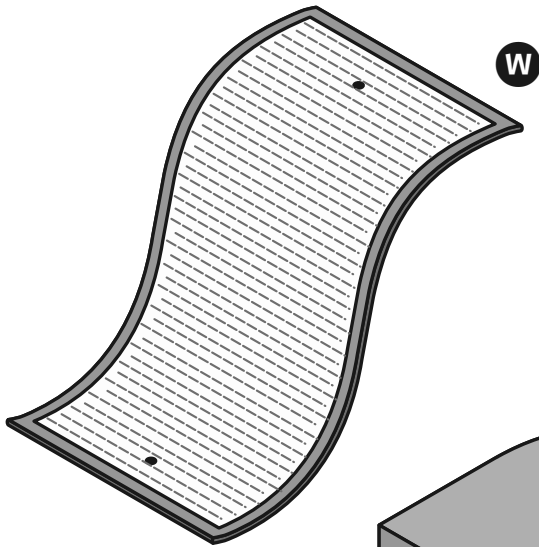
DB



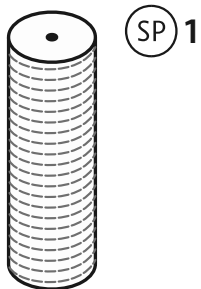
SP 3



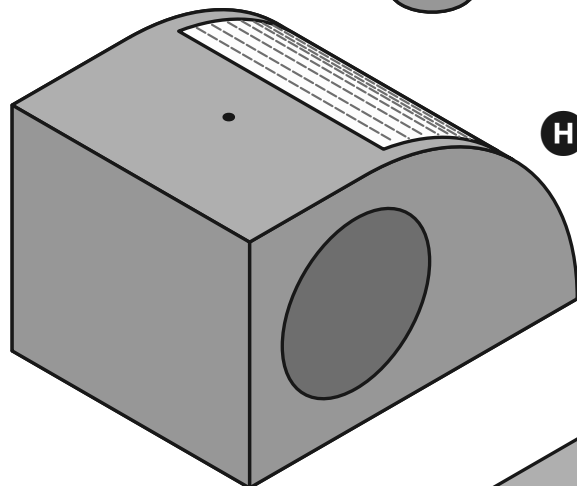
SP 2



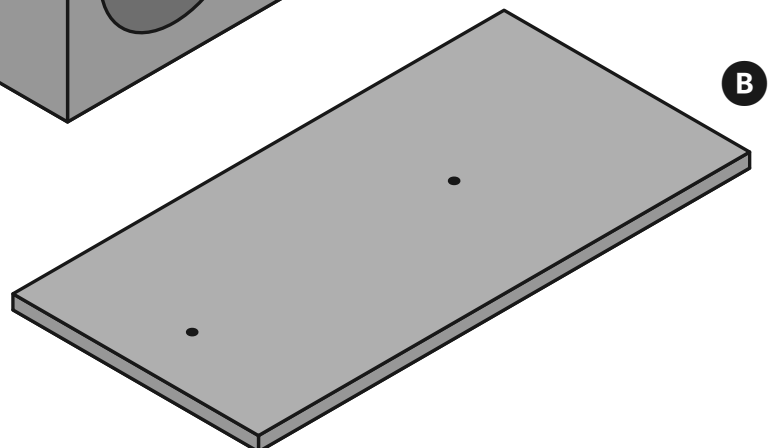
W



SP 1

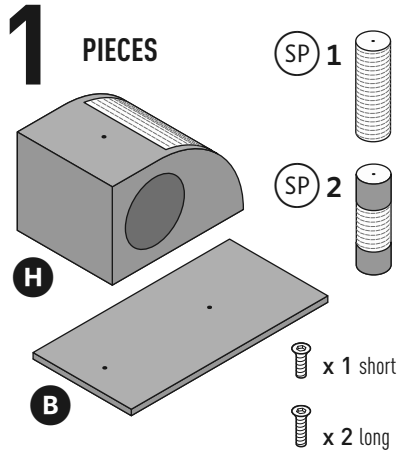


H

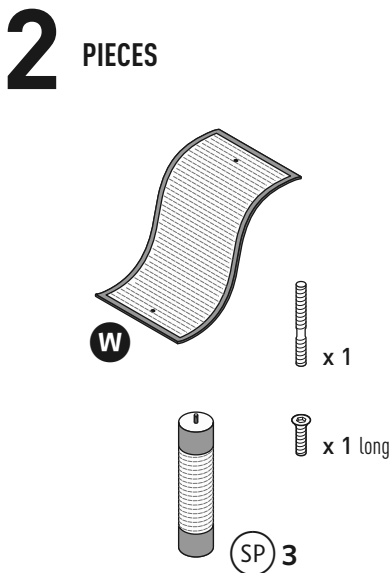
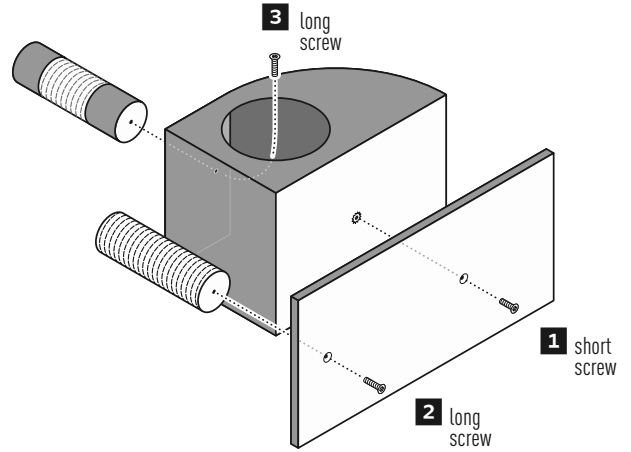


B

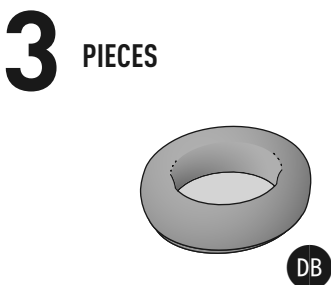
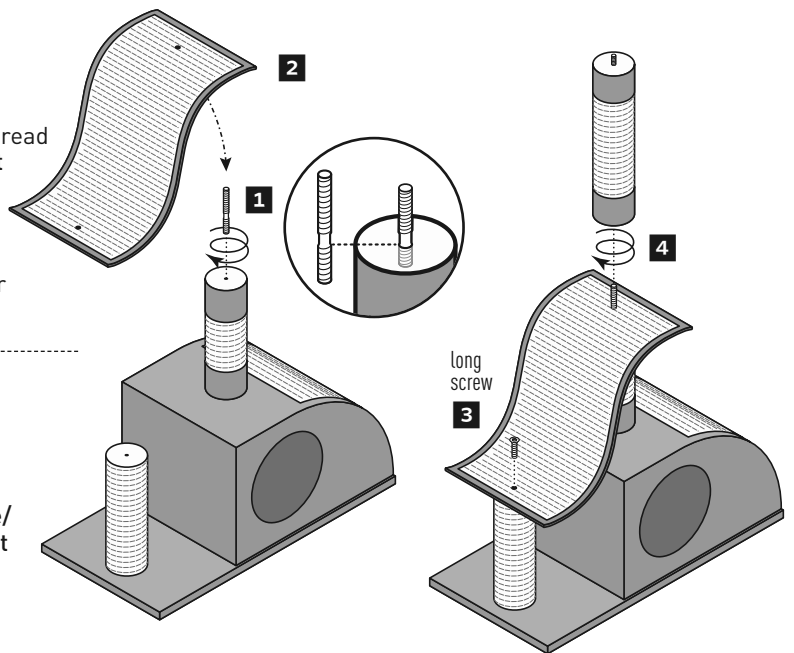
For best results, follow the Assembly Steps in the order presented.



- 1** Attach the **hideaway** to the **base** with the **short** hex screw.
- 2** Attach the **short all-rope scratching post** to the base with a **long** hex screw.
- 3** Attach the **short rope/fabric scratching post** to the top of the hideaway with a **long** hex screw.



- 1** Twist the short-thread end of the **screw post** into the rope/fabric scratching post.
- 2** Place the **wave scratching panel** over the screw post.
- 3** Attach the wave panel to the lower scratching post with a **long** hex screw.
- 4** Twist the tall **rope/fabric scratching post** onto the screw post.



- Twist the **daybed** onto the threaded screw post.

