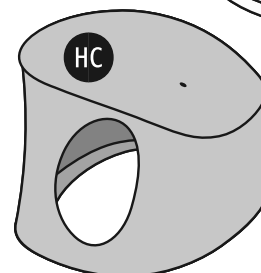
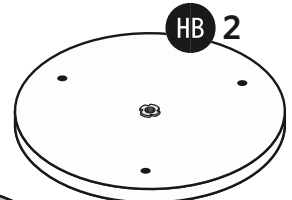
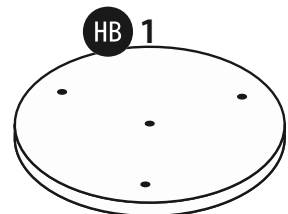
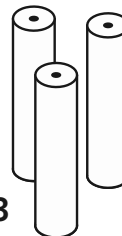
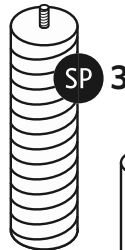
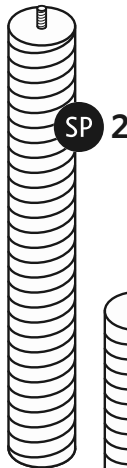
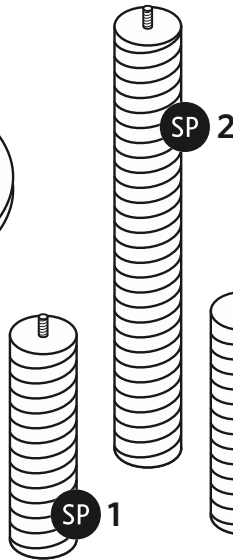
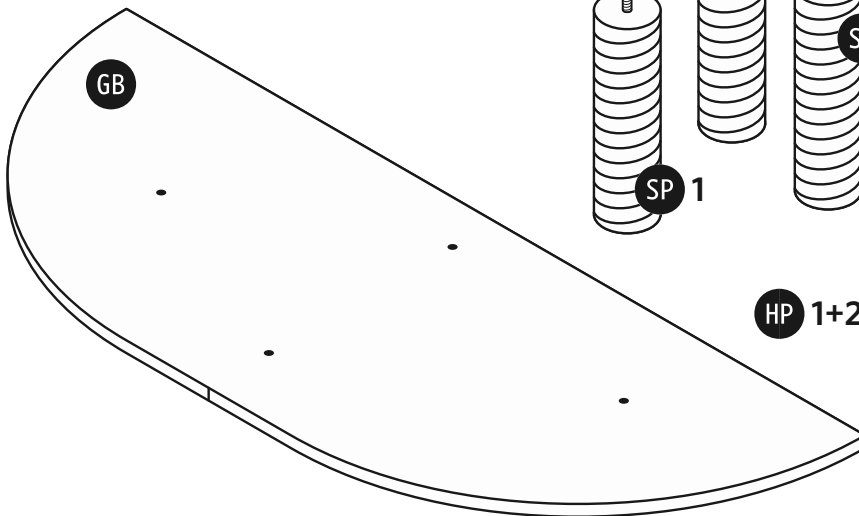
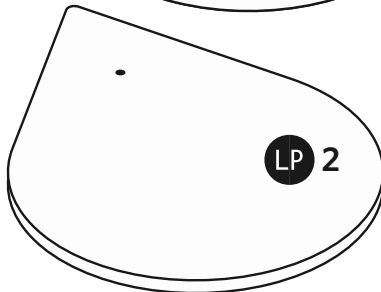
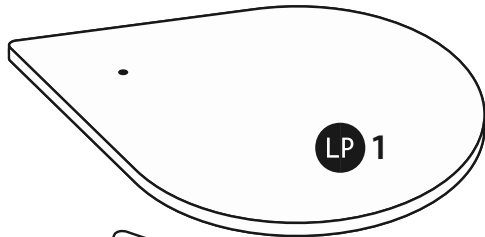
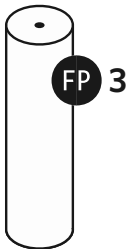
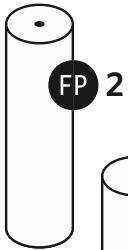
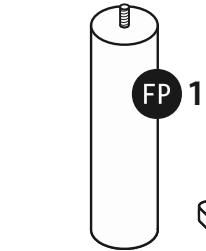
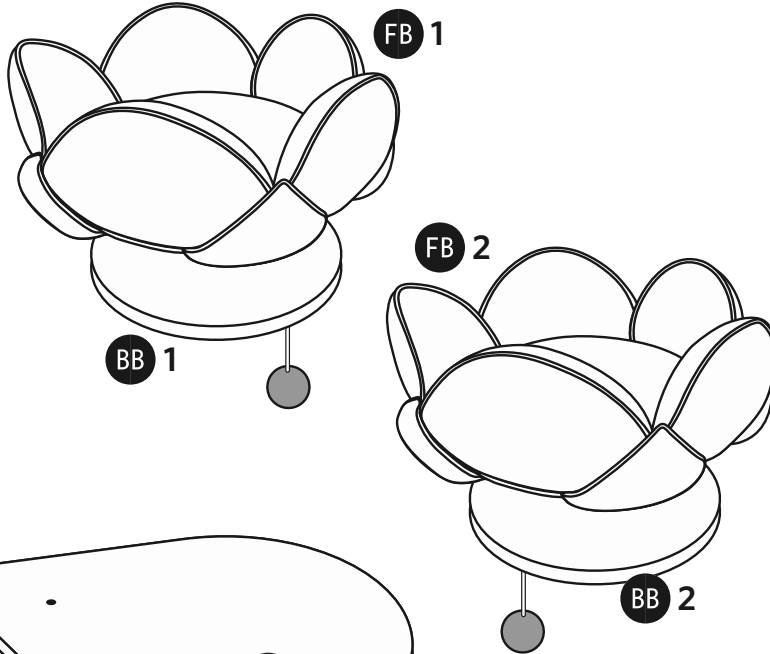
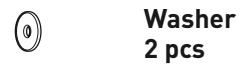
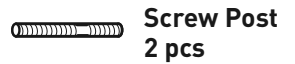


**KEY:**

- FB = Flower Bed
- BB = Bed Base
- FP = Fabric Post
- SP = Scratching Post
- LP = Leaf Platform
- HB = Hideaway Base
- HC = Hideaway Cover
- HP = Hideaway Post
- GB = Garden Base



**HARDWARE INCLUDED:**



**TOOLS:**

Allen wrench (included)



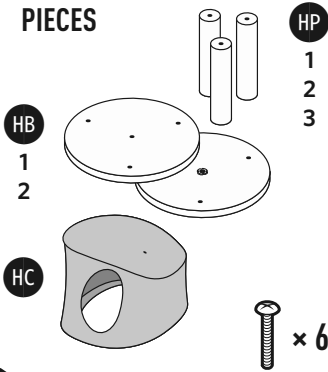
Phillips screwdriver (not included)



TOOLS NEEDED : Phillips screwdriver (not included) • For best results, follow Assembly Steps in order presented.

**1**

PIECES



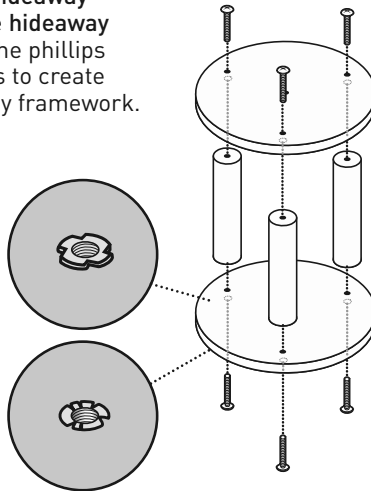
\*  
Phillips head screwdriver  
is needed (not included)

Pre-assemble

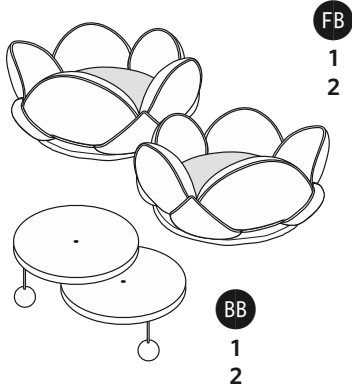
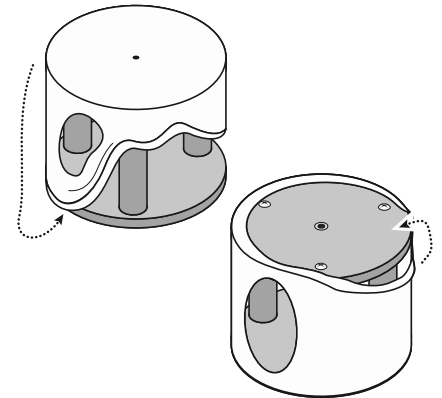
Attach the **hideaway bases** to the **hideaway posts** with the phillips head screws to create the **hideaway framework**.

Center threaded screw hole :  
face up view

face down view

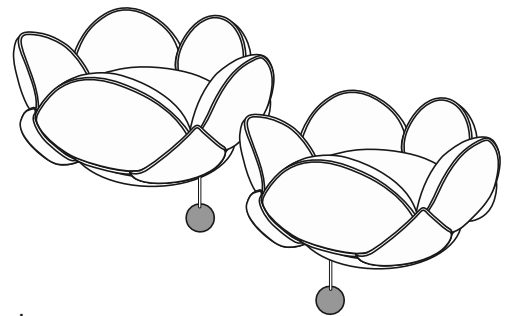
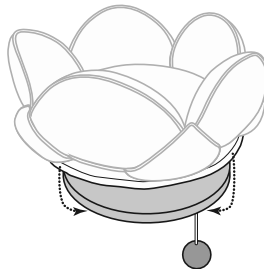


Pull the **hideaway cover** down over the frame. Flip the unit over and pull the lip of the cover over the edge of the base.

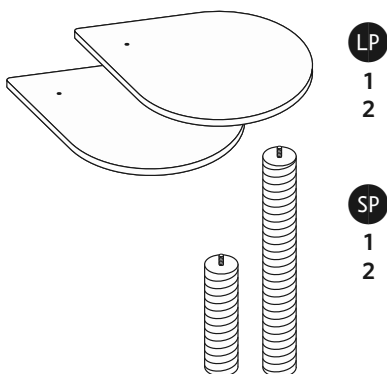


Pre-assemble

Pull the **apron of the flower bed** down over the **bed base**. Pull the elastic band on the apron over the bottom to create a lip on the underside of the base.

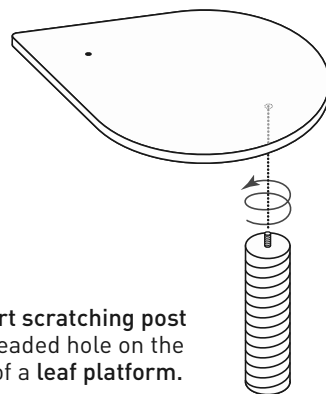


Pre-assemble both beds.

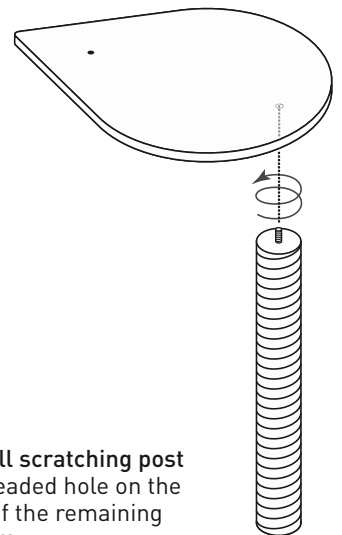


Pre-assemble

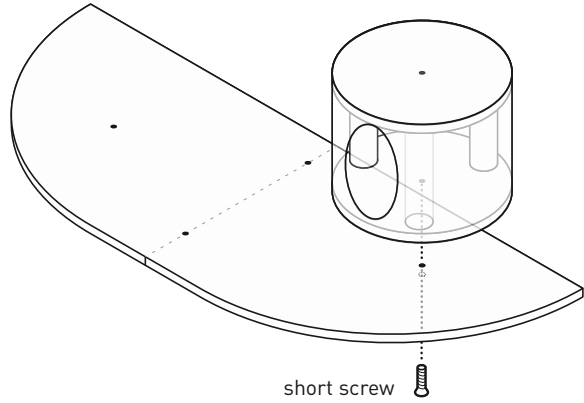
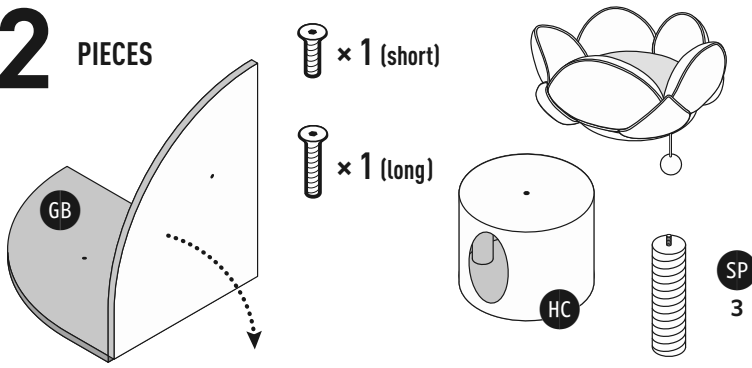
Twist a **short scratching post** into the threaded hole on the underside of a **leaf platform**.



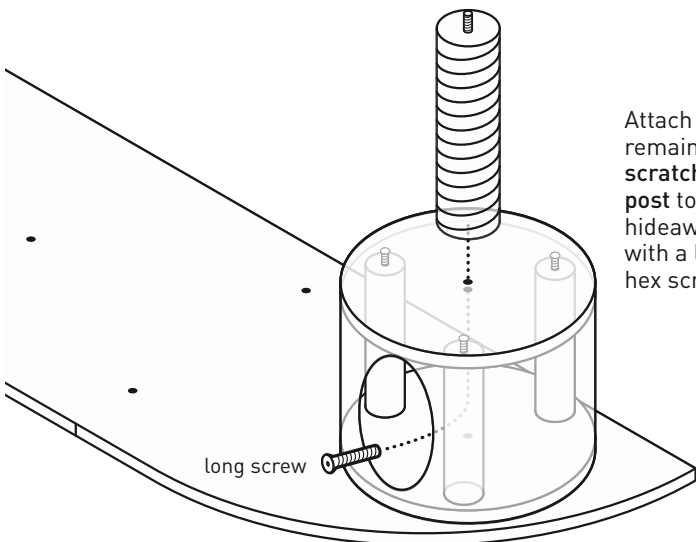
Twist the **tall scratching post** into the threaded hole on the underside of the remaining **leaf platform**.



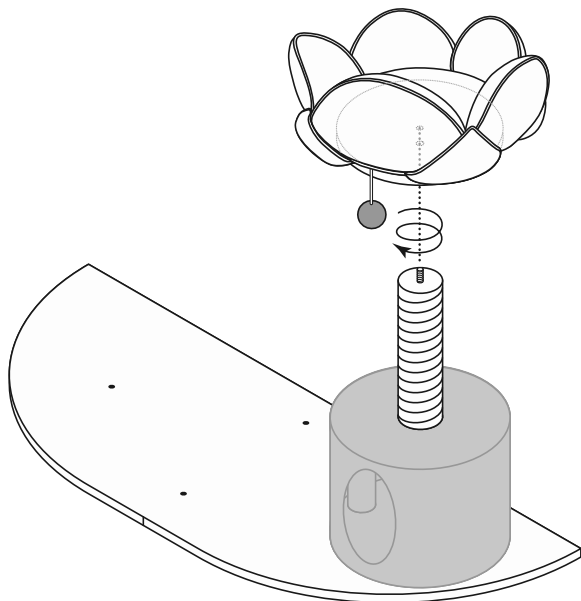
## 2 PIECES



Attach the assembled **hideaway** to the base with a short hex screw.



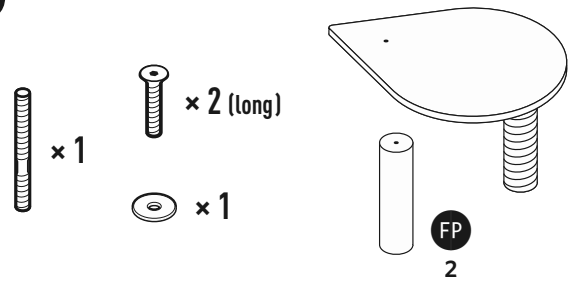
Attach the remaining **scratching post** to the hideaway with a long hex screw.



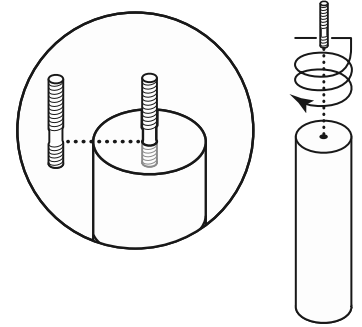
Align the center holes on the underside of the flower bed and the bed base.

Twist the assembled **flower bed unit** onto the screw post until snug and stable.

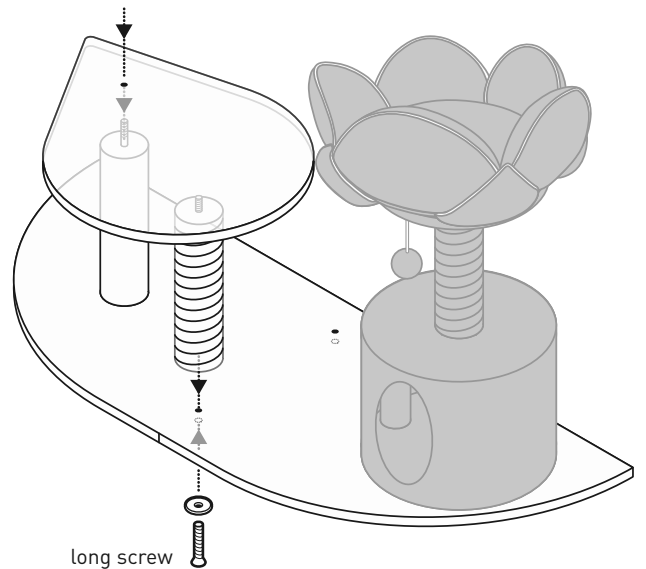
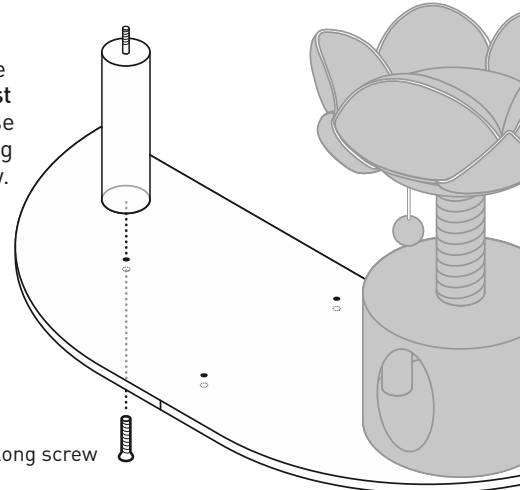
## 3 PIECES



Twist the screw post into either end of the fabric post.

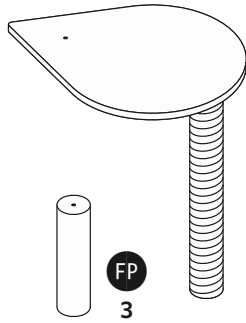
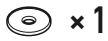
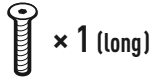
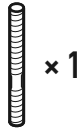


Attach the **fabric post** to the base with a long hex screw.

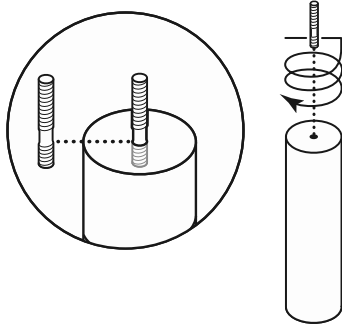


Insert the **leaf platform/short post** unit onto the screw post. Attach the unit to the base with a washer on a long hex screw.

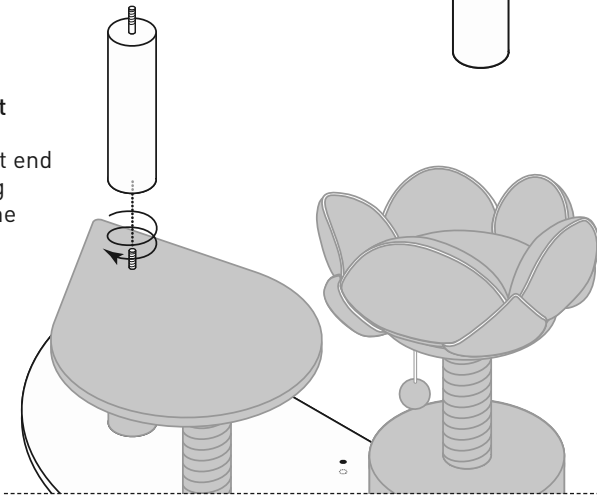
# 4 PIECES



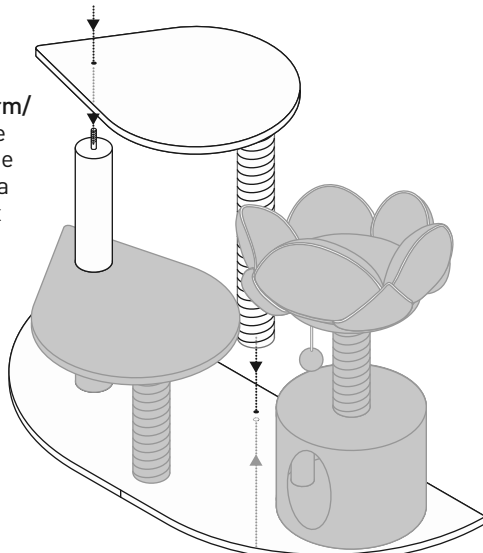
Twist the screw post into either end of the fabric post.



Twist the fabric post onto the screw post end protruding through the platform.

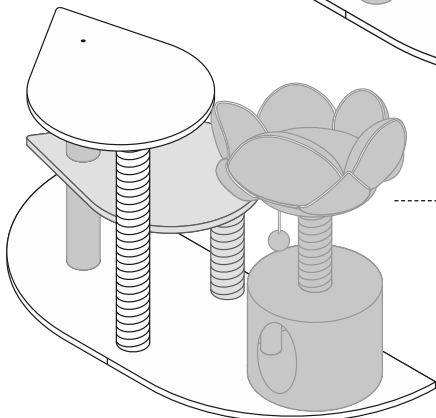


Insert the leaf platform/tall post unit onto the screw post. Attach the unit to the base with a washer on a long hex screw.

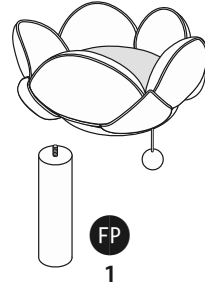


long screw

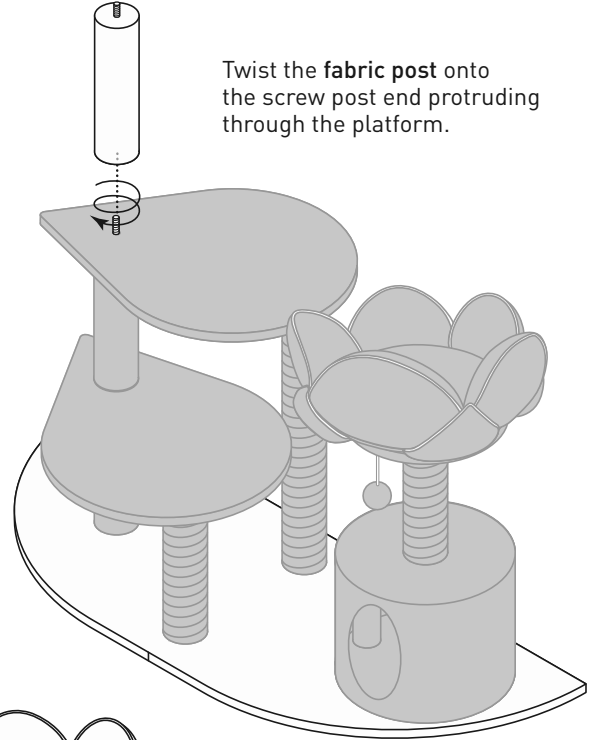
**Alternate assembly :**  
The tall scratching post may be in front with the shorter scratching post attached at the back.



# 5 PIECES

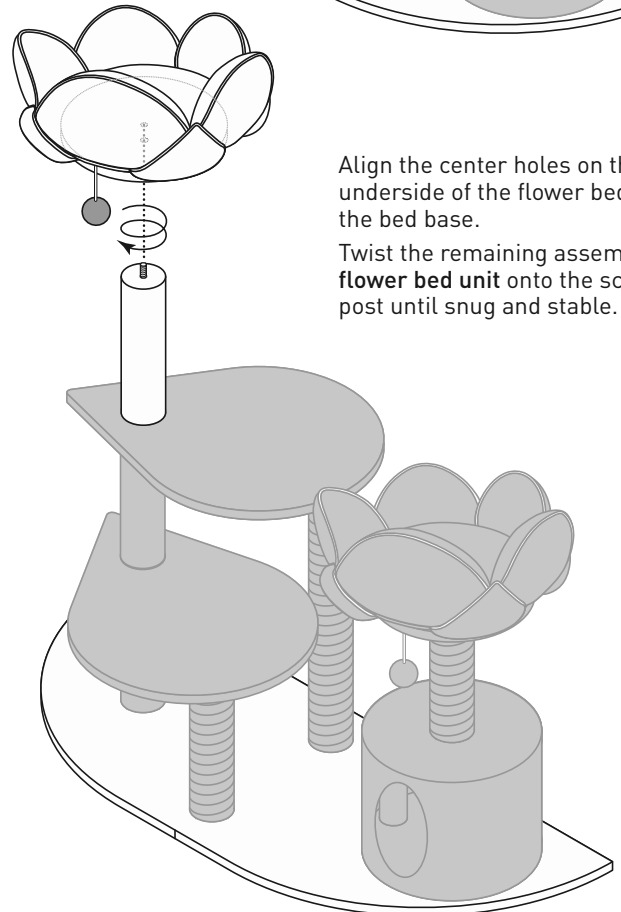


Twist the fabric post onto the screw post end protruding through the platform.



Align the center holes on the underside of the flower bed and the bed base.

Twist the remaining assembled flower bed unit onto the screw post until snug and stable.



Assembly completed. ■