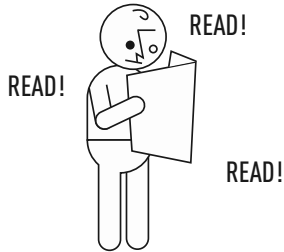


# Follow this flight path

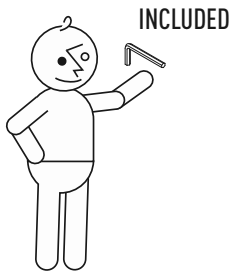
1



## READ THESE INSTRUCTIONS!

These assembly steps have been compiled to lead you to a successful assembly. If you still have questions, please call our Prevue Customer Service line at (312) 243-3624.

2



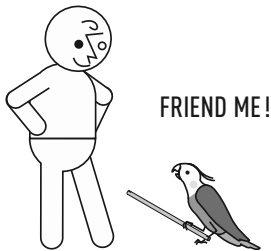
## HELPFUL TOOLS

An allen wrench is included with the hardware.

You will need a small **adjustable wrench** for the roof assembly.



3

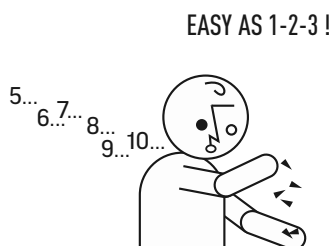


## FIND A FRIEND (or GO IT ALONE—both are OK)

If you follow these steps, cage assembly will be easy for one person. But you may find a second person's assistance useful in some steps. Look for this symbol:



4



## REVIEW ALL PARTS & HARDWARE

After unpacking all the components, it's best to review all parts and count the contents of the screw packets (check the quantities against the hardware detailed on the **Parts List** page).

Please contact Prevue if any problems or issues arise.

# 5



## CARE FOR BIRDS

### CAGE PLACEMENT

Birds are sensitive to environmental conditions like heat, cold, drafts, and fumes. As you establish the location of your cage, make sure it is removed from areas with strong odors and fumes, like those found around plug-in air fresheners, kitchens, and gas appliances. Keep cages out of cold and drafty areas like floor and wall vents and air conditioner vents. Also keep the cage removed from heat sources like furnaces, fireplaces, or kitchen appliances. Avoid areas with harsh or direct sunlight.

### ACTIVITY TOYS

Birds rely on toys to stay physically and mentally stimulated and reduce boredom and destructive behavior. Prevue offers a wide range of toys under two types and four activity categories.

**Playfuls**<sup>TM</sup> include toys with bird-safe shapes, colors, textures, and materials. **Naturals**<sup>TM</sup> are constructed from all-natural, sterilized, sustainable fibers, ropes, hardwoods, sea shells, and other materials found in nature.

Four categories of activity toys within each toy type are designed to satisfy the instinctual behaviors of birds:

- **Physical & Mental:** Designed to provide exercise for the body and the mind, with elements to engage birds in problem-solving, manipulation, chewing, and balancing.
- **Sound & Movement:** Designed for aural and visual stimulation, with elements that are free-moving, noise-creating, reflective and bouncy.
- **Preen & Pacify:** Designed to function as stress-reducers, with a variety of materials and textures that engage birds in calming, comforting activity.
- **Forage & Engage:** Designed to satisfy a bird's instinctive need to search, root, uncover, extract, collect, and nest. Many toys may be filled with treats or replenished with fibers.

### TOY TIPS

- To keep birds engaged with their toys, introduce new and familiar toys into the cage environment on a monthly basis.
- Do not over-crowd the cage environment.
- For new toys, supervise birds at play and observe their behavior.
- Periodically inspect toys and accessories for replenishment of fibers, or replacement when worn or destroyed.

Check out all our toys at: [prevuepet.com](http://prevuepet.com)

### ACCESSORIES

We offer many accessories to promote your bird's well-being and upgrade the cage environment:

- Variable-shape perches for foot health
- Cage covers to quiet and calm birds at night
- Cuttlebones & mineral blocks for beak & nail grooming
- Playgrounds and playstands

More accessories can be found at: [prevuepet.com](http://prevuepet.com)

Selected replacement parts may be available. For inquiries, please contact Prevue customer service at:

[customerservice@prevuepet.com](mailto:customerservice@prevuepet.com)

### TRAVEL CARRIERS

Always keep an appropriate-size travel carrier on hand for emergencies, travel or temporary housing when cleaning cages. Prevue offers several carrier styles — from backpack to soft case to durable steel. Visit: [prevuepet.com](http://prevuepet.com)

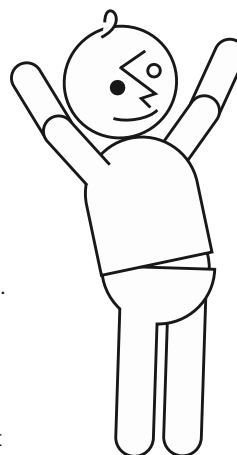
### CONTACT RESOURCES FOR PREVUE PET PRODUCTS

**EMAIL** [customerservice@prevuepet.com](mailto:customerservice@prevuepet.com)

**ONLINE** [prevuepet.com](http://prevuepet.com)

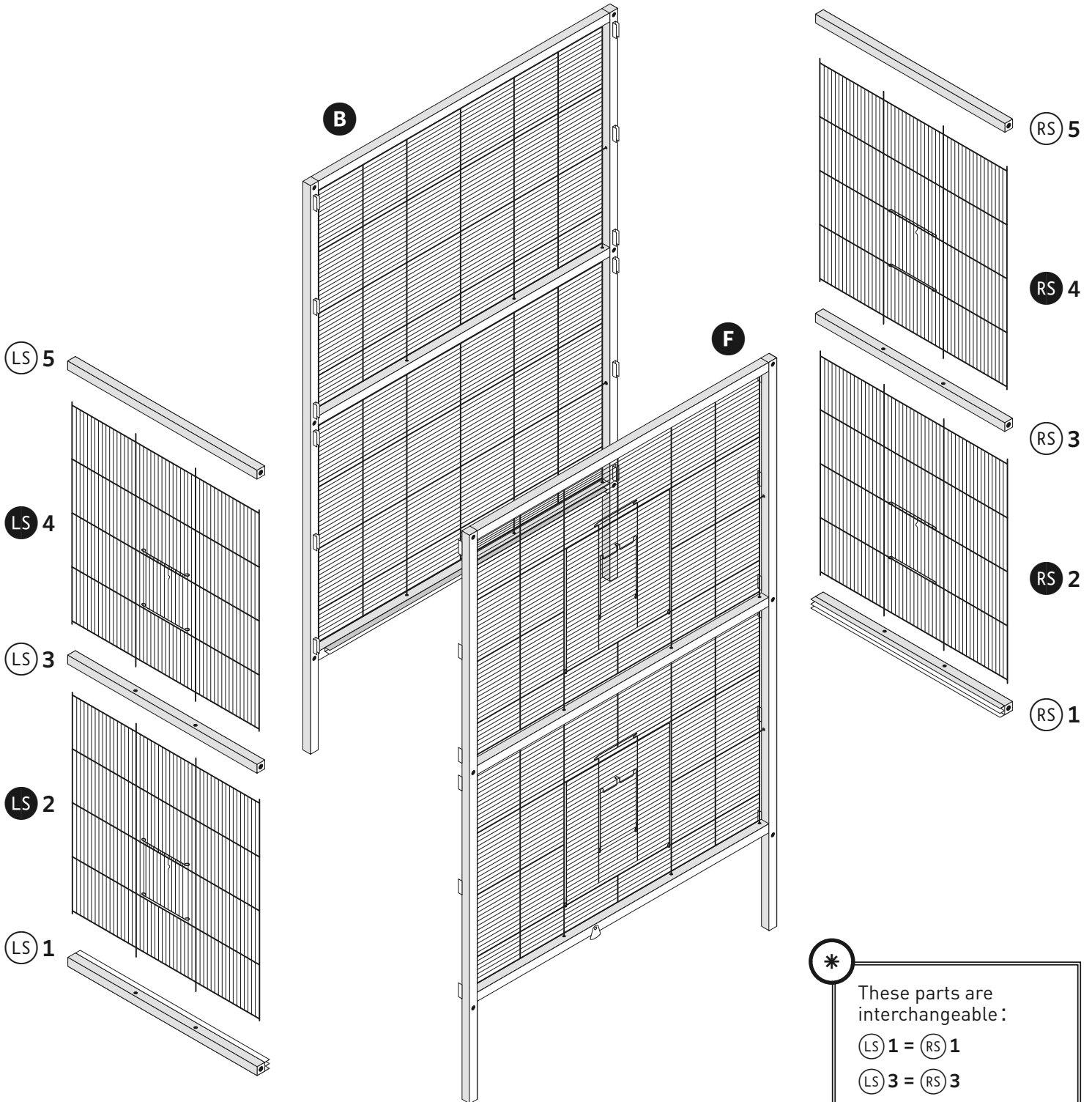
**PHONE** (312) 243-3624

**SOCIAL** [f](#) [@](#) [p](#) [v](#)



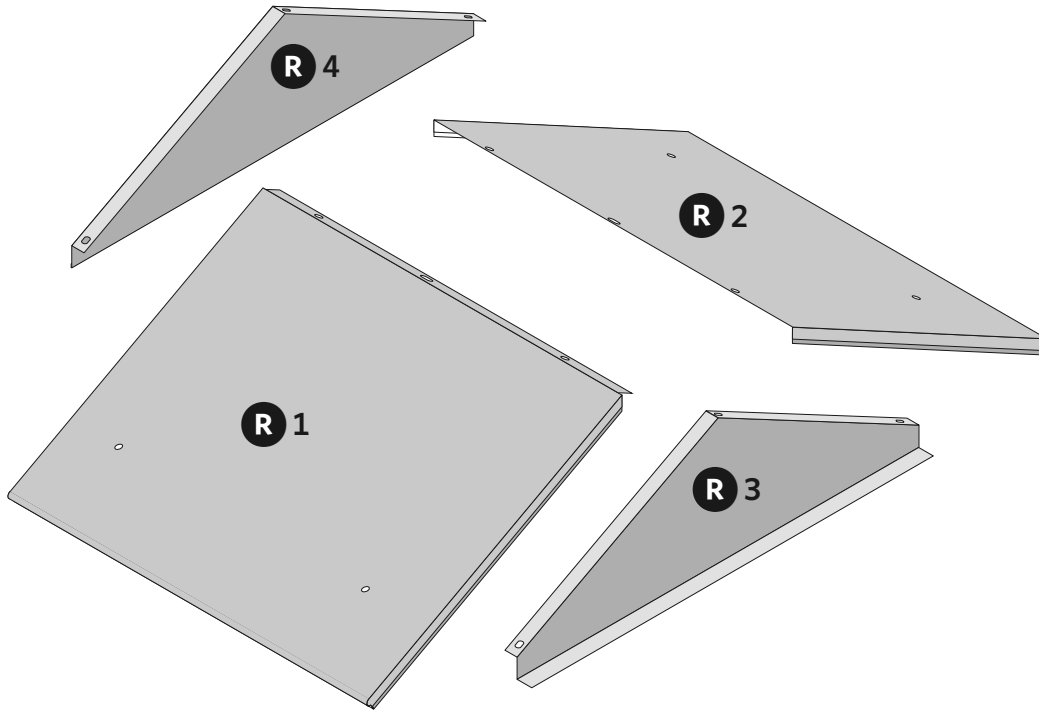
Actual #F035 model pictured





**\***  
These parts are interchangeable:

LS 1 = RS 1  
 LS 3 = RS 3  
 LS 5 = RS 5  
 LS 2, LS 4, RS 2, RS 4  
 panels are all the same



**KEY:**

LS = LEFT SIDE panel  
B = BACK panel  
F = FRONT panel  
RS = RIGHT SIDE panel


R = ROOF piece  
G = GRILLE  
T = TRAY

**HARDWARE INCLUDED:**

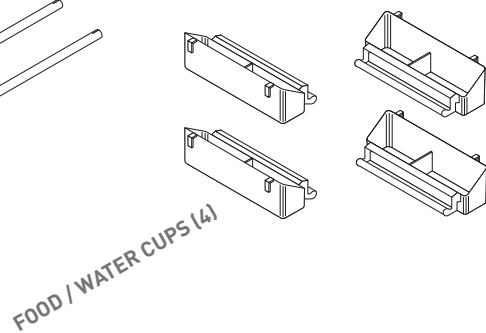
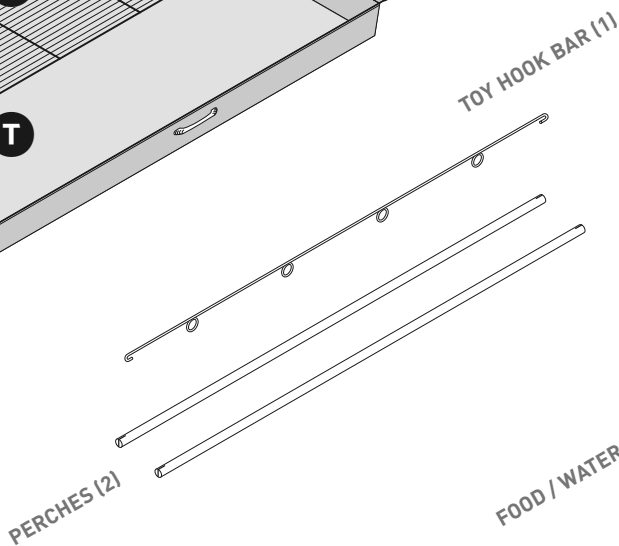
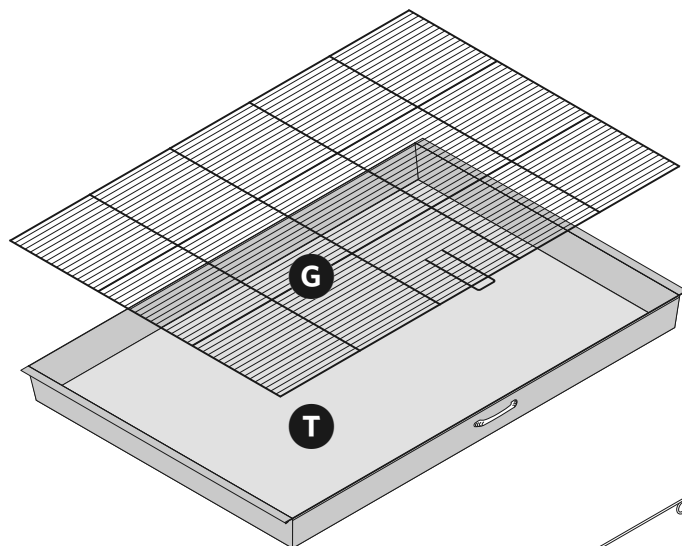
 **Long Screw**  
12 pcs + 1

 **Short Screw + nut**  
7 pairs + 1

**TOOLS:**

 **Hex key**  
(included)

optional **Adjustable wrench**  
(not included)

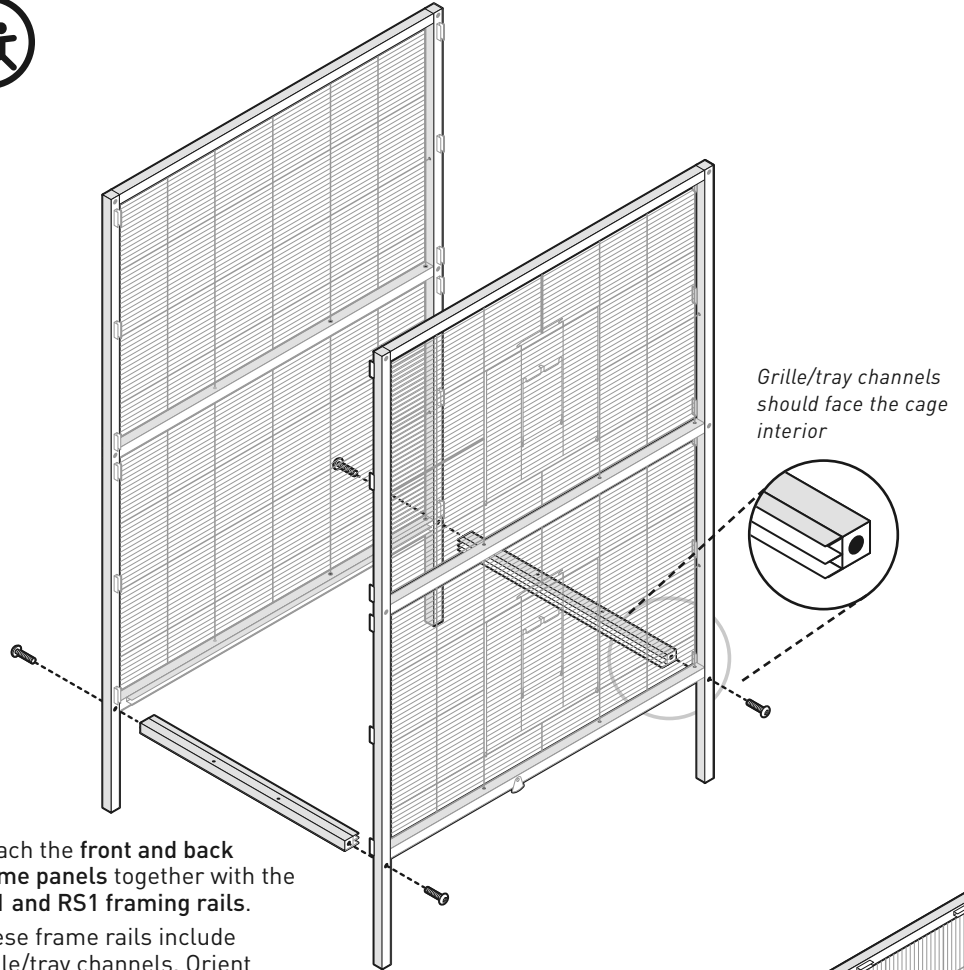
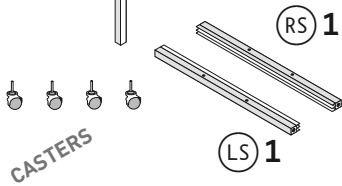
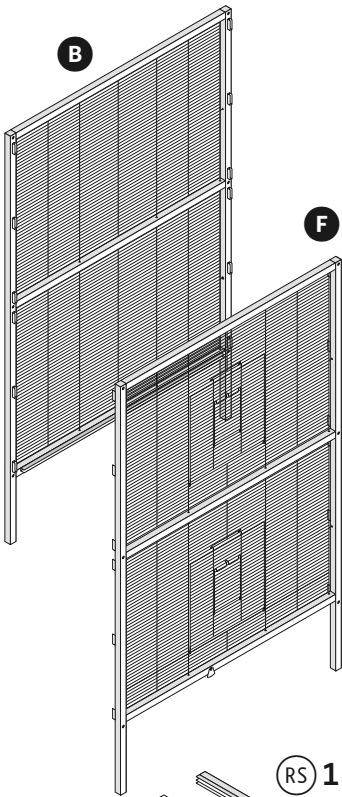


Follow the Assembly Steps in the order presented for best results.

**1** **PIECES**



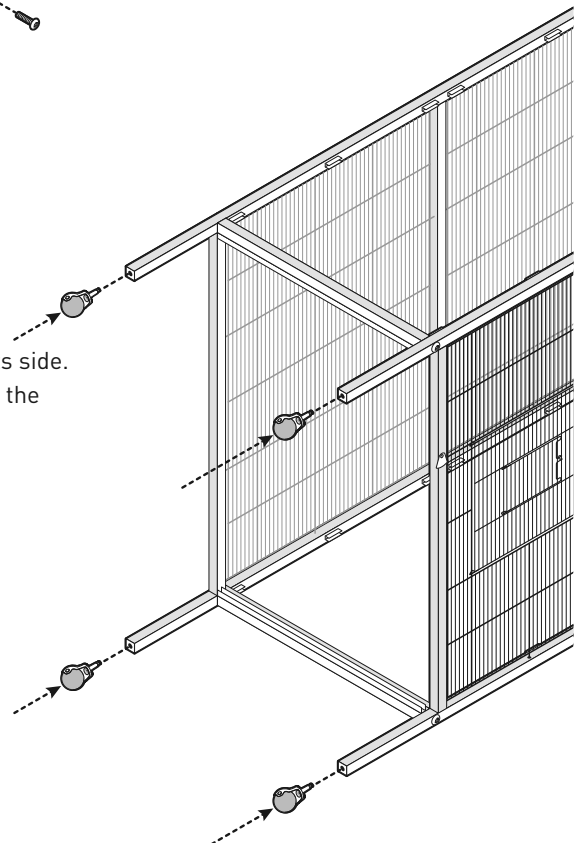
[ 4 ] LONG



Attach the front and back frame panels together with the LS1 and RS1 framing rails.

These frame rails include grille/tray channels. Orient the channels to face the interior of the cage. The two small holes on the horizontal surface should be facing up. Secure the rails in place with long hex screws.

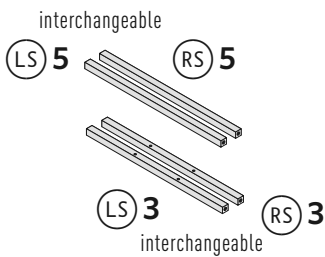
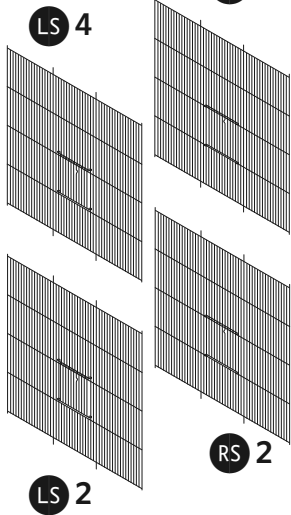
Gently lay the cage on its side.  
Fully insert casters into the frame legs.  
Stand the cage upright.



# 2 PIECES



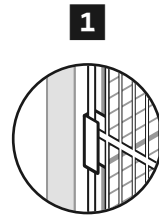
all interchangeable



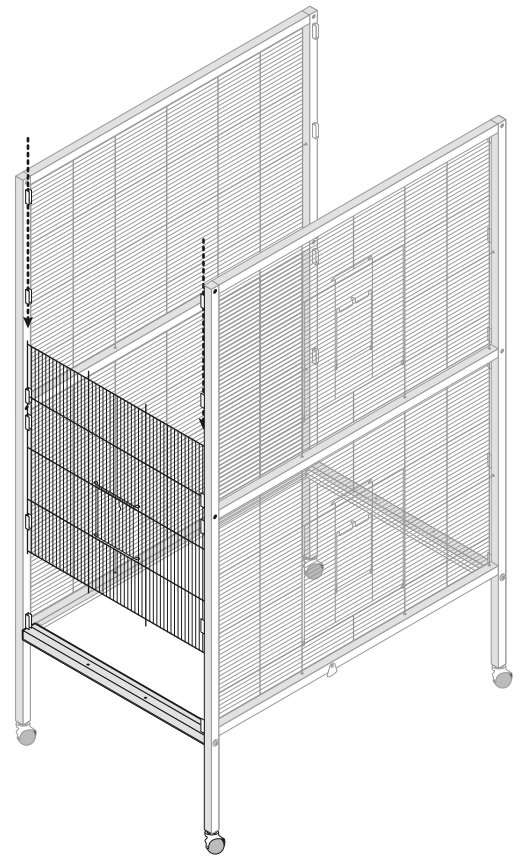
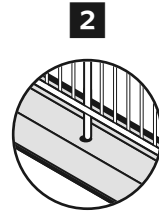
**1** Glide the lower **side panel** into place, down through the brackets.

*Make sure the panel is centered in all brackets down both sides.*

*Make sure the cup door can be operated from the exterior.*



**2** At the base of the panel, insert the extended wires into the holes on the frame rail.



**3** The **middle frame rails** have small holes along the top and bottom surfaces.

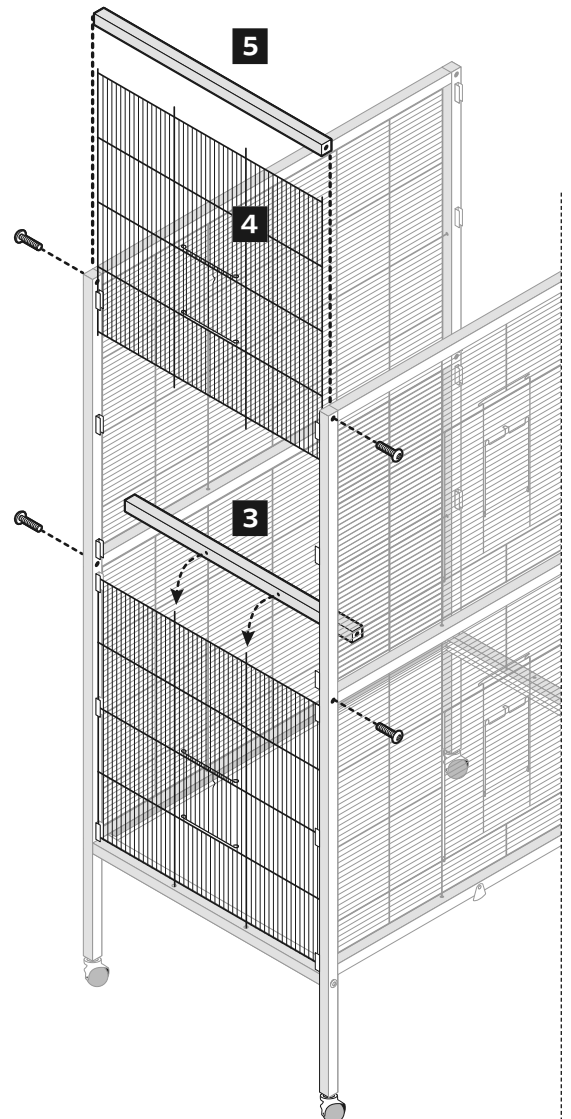
Insert the holes in the frame rail over and onto the extended wires of the lower side panel. Attach the rail with long hex screws.

**4** Glide the upper **side panel** into place down through the brackets. Insert the extended wires into the holes on the frame rail.

*Make sure the panel is centered in all brackets down both sides.*

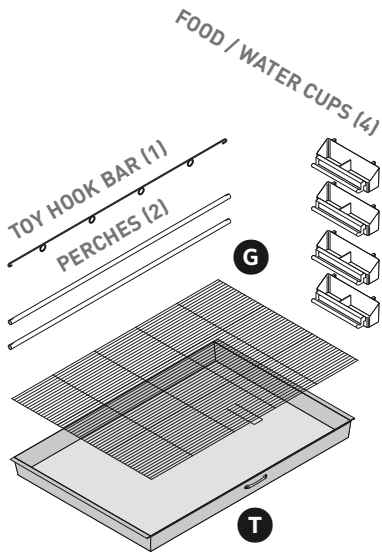
*Make sure the cup door can be operated from the exterior.*

**5** Cap the upper side panel with the **LS5 frame rail**. Align the holes over and onto the extended wires; attach the rail with long screws.

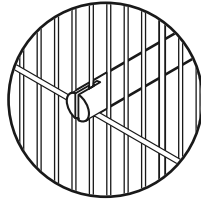


Follow the same assembly method for the right side.

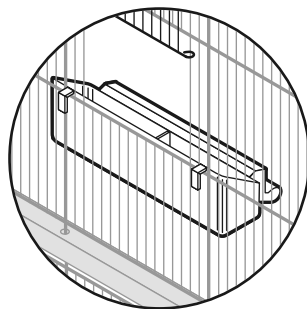
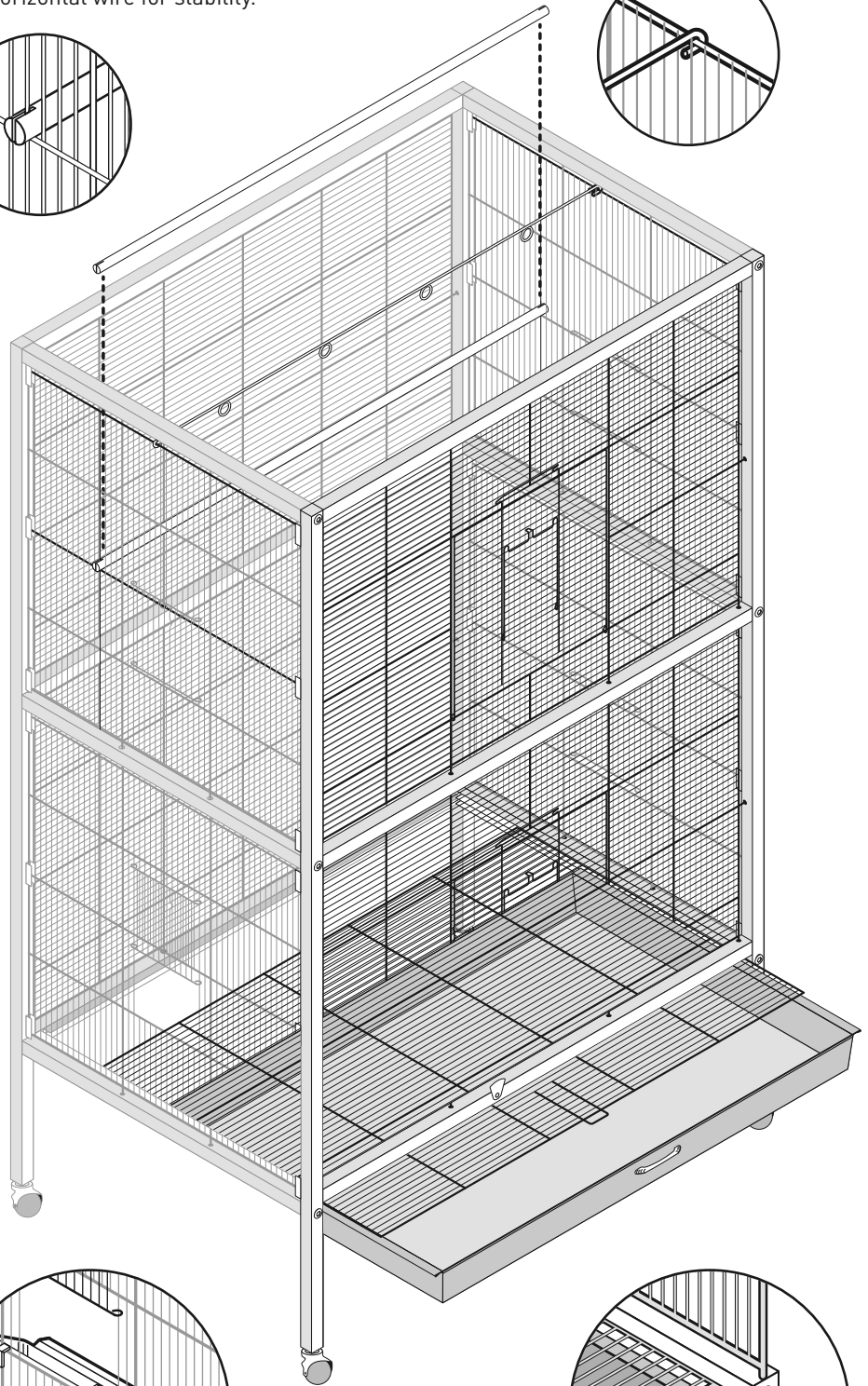
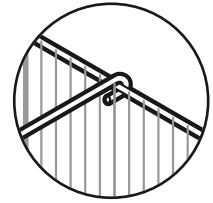
# 3 PIECES



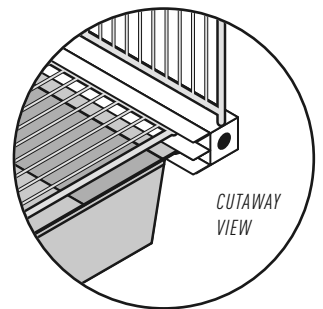
**PERCHES**  
Install the perches anywhere in the cage by inserting the slotted ends onto a vertical wire. Settle the perch ends onto a horizontal wire for stability.



**TOY RAIL**  
Hook the toy rail onto horizontal side panel wires of an equal height.



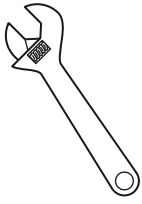
**FOOD/WATER CUPS**  
Slide a cup door open and hook a cup onto the horizontal wire at the base of the opening.



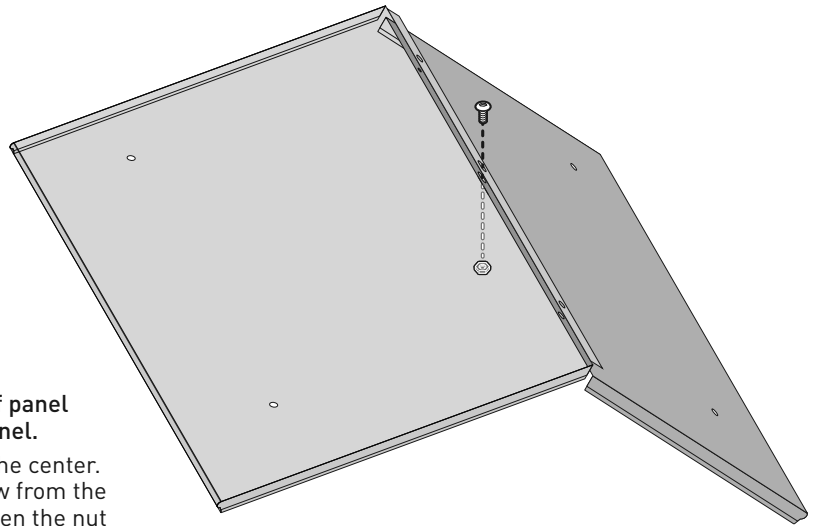
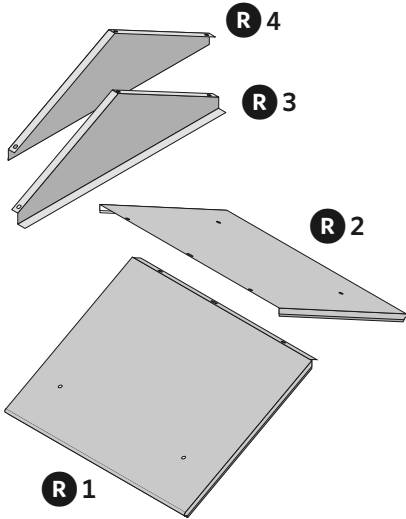
**GRILLE & TRAY**  
Slide the grille into the top channel and the tray into the bottom channel.

# 4 PIECES

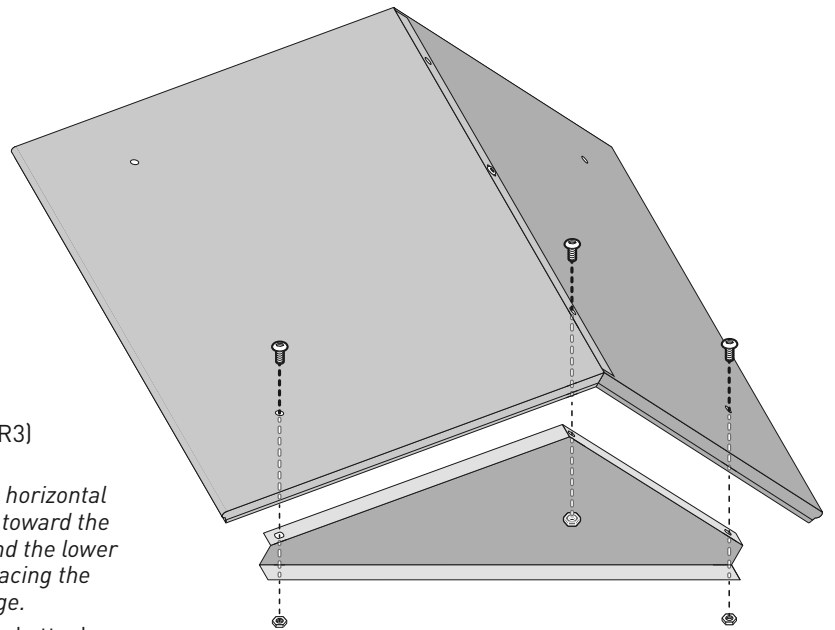
[ 7 ] SHORT with Nuts



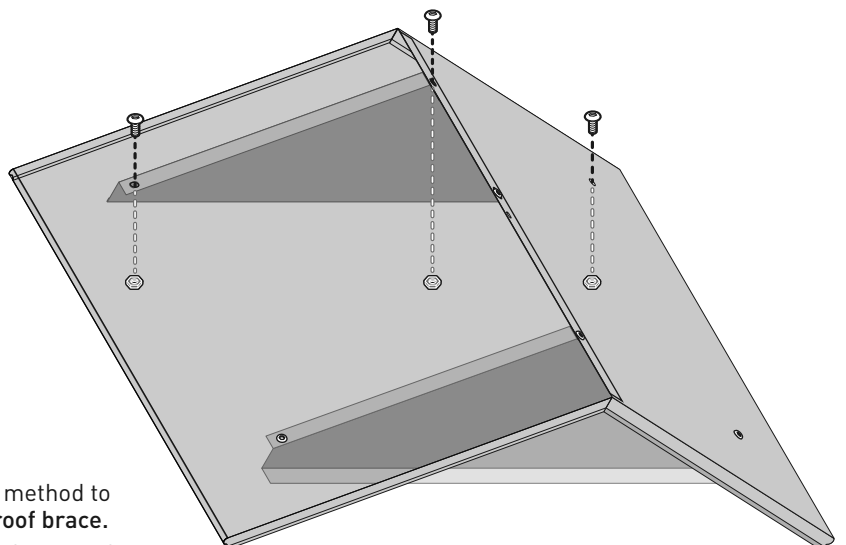
adjustable wrench



Overlap the **R2 roof panel** with the **R1 roof panel**.  
Align the holes at the center.  
Insert a short screw from the top, and hand-tighten the nut from the underside.



Attach the front (**R3**) **roof brace**.  
*Make sure the top horizontal flaps are oriented toward the interior/center, and the lower horizontal flap is facing the exterior/outer edge.*  
Align the holes and attach with short screws from the top and nuts from the underside.



Follow the same method to attach the **back roof brace**.  
*Make sure the top horizontal flaps are oriented toward the interior/center.*

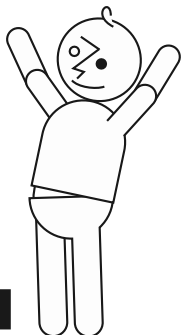
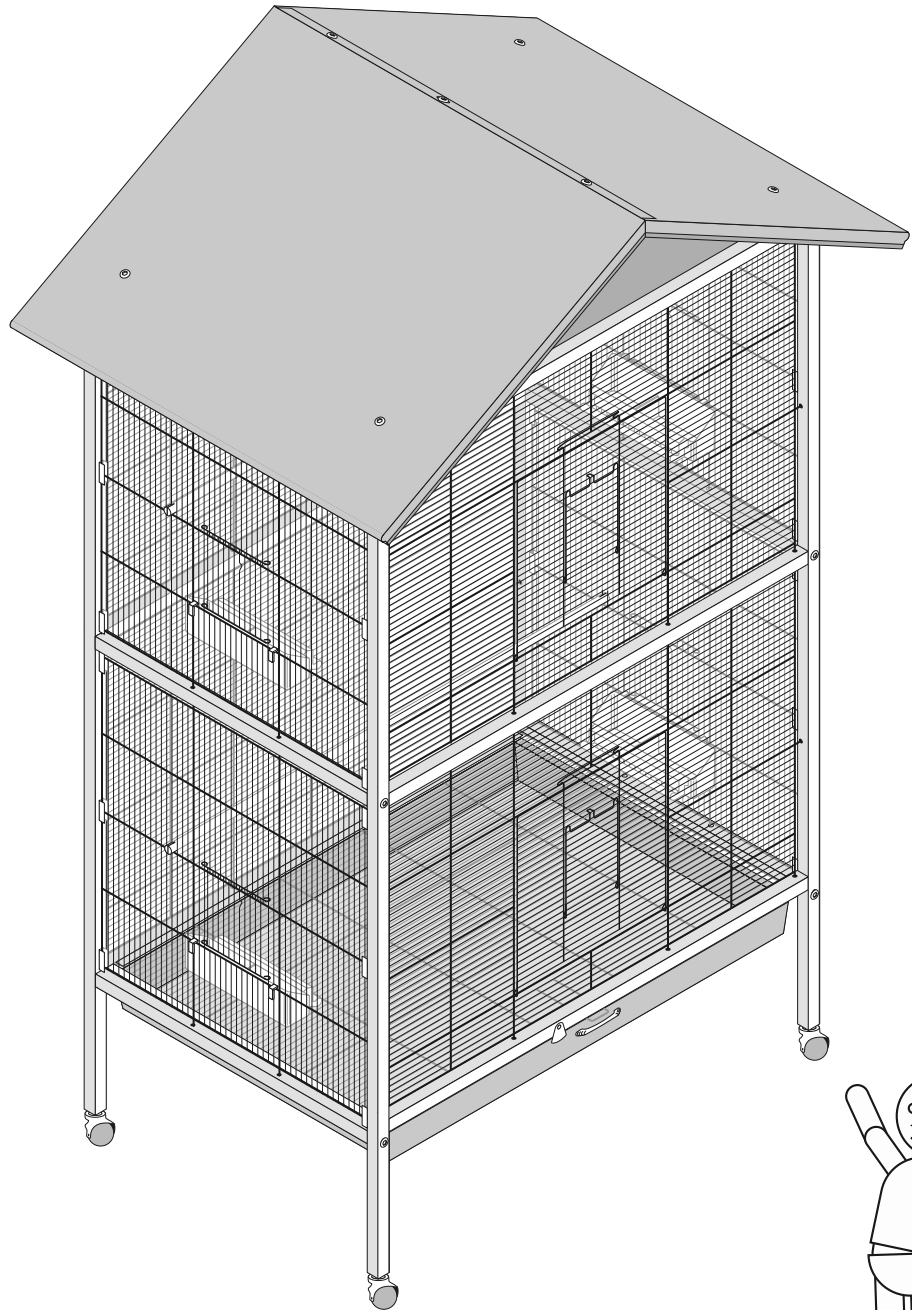
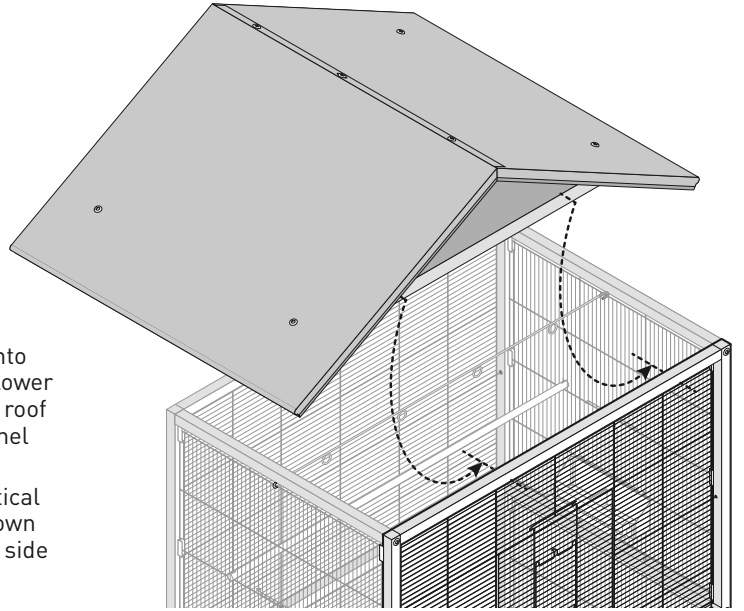
**Tighten all nuts/bolts with the hex key and adjustable wrench.**



# 4 ...continued

Tip the assembled roof into position by catching the lower horizontal flap on the R3 roof brace under the front panel frame rail.

On the back end, the vertical panel will slip straight down into place on the interior side of the frame.



Assembly completed. ■