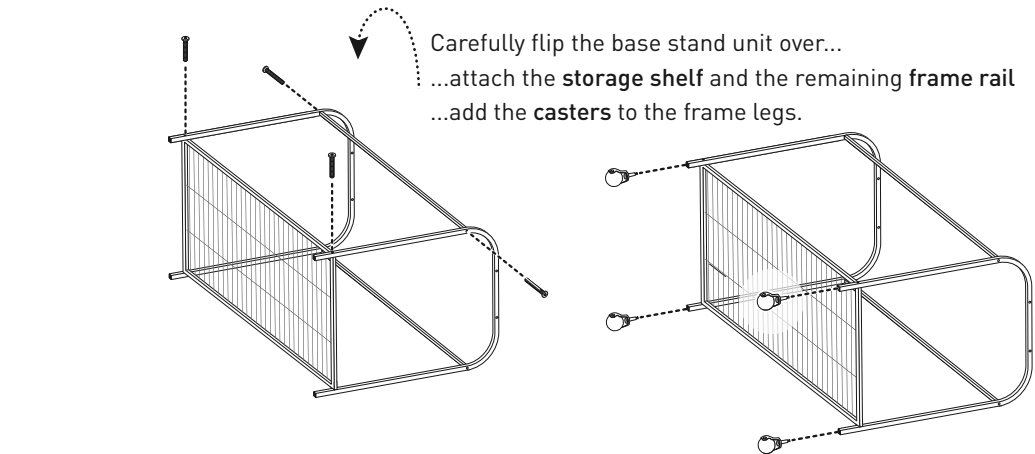
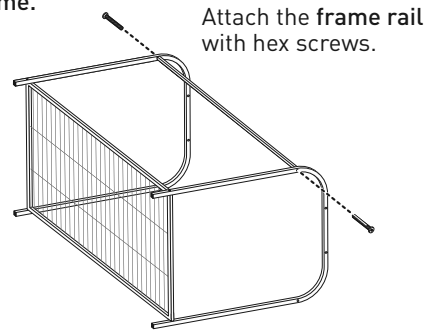
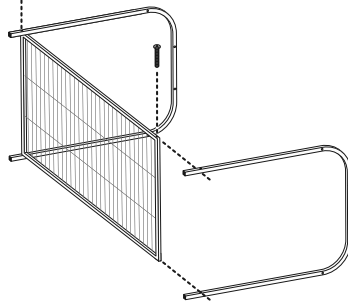
 Assembly Steps that would be easier with a second person are indicated with this symbol.

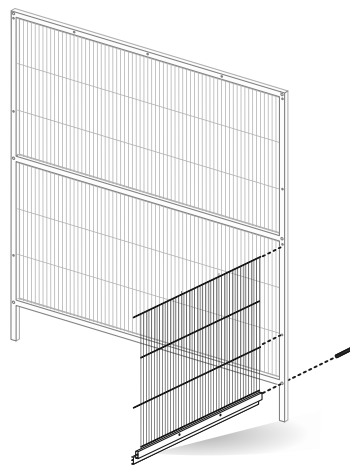
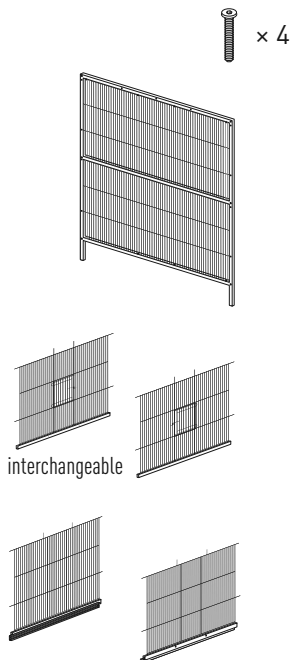
1 PIECES



Lay a side frame on its side.
Attach the **storage shelf** with a hex screw.
Add and attach the opposite side frame.

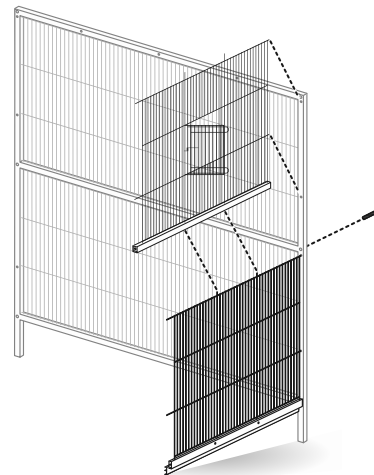


2^a PIECES

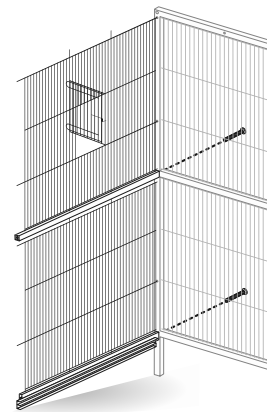


Align the extended wires on the **lower side panel** with the holes on the **back panel** frame.

Lean the panels forward to let gravity hold the pieces in position while attaching together with a hex screw.

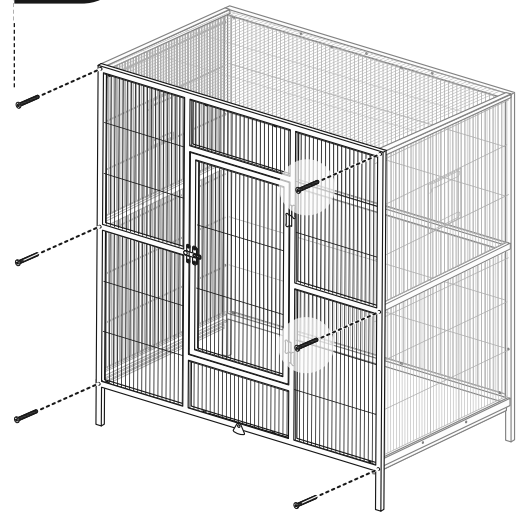
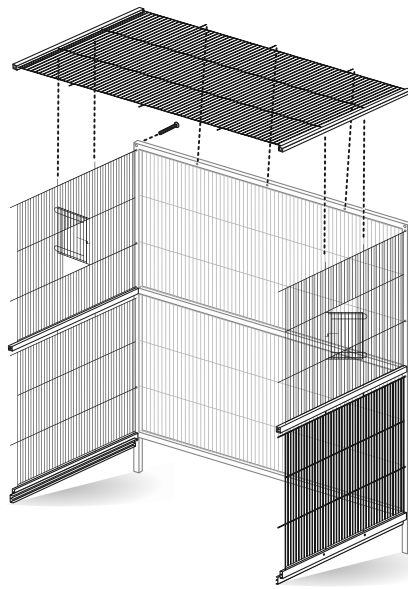
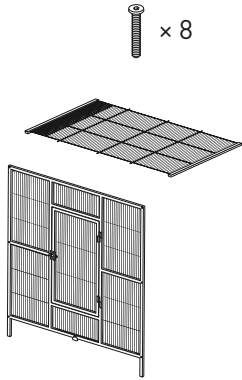


Confirm the cup door on the **upper side panel** opens out.
Align the extended wires with holes in the frame, and attach with a hex screw.



Install the opposite side panels in the same order and method.

2^b PIECES



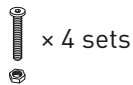
Align extended wires along the back edge of the roof panel with holes on the back panel frame. Align extended wires along the side panels with holes on the underside of the roof frame.

Attach the roof with hex screws at the back corners.

If you have an assistant, have them hold the unit upright. Align all extended wires of the roof/side panels with holes on the front panel frame.

Double-check the alignment of extended wires for the entire cage. Attach the front panel to the cage with hex screws.

3 PIECES

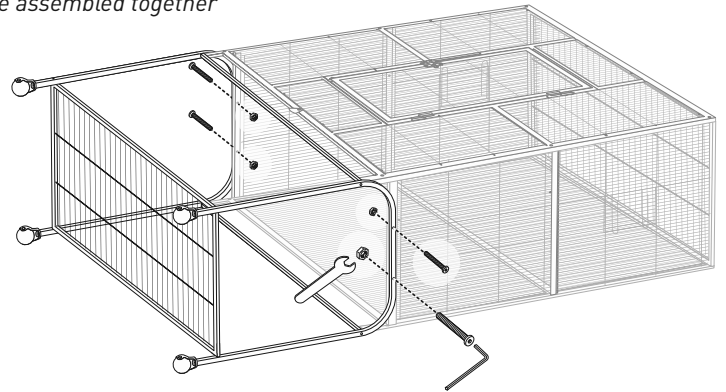


WITH an assistant, the cage unit and the stand unit can be assembled together standing upright.

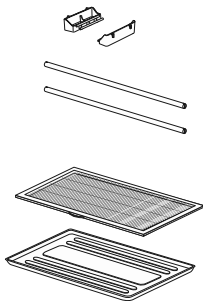
WITHOUT an assistant, lay the cage unit and the stand unit on the floor.

Align the holes through the stand unit with the holes through the lower side panel on the cage unit.

Attach together with the hex screw/nut pairs. Tighten the nut from the cage interior.



4 PIECES



Stand the cage upright.

Food/water cups:

Hook the **cups** onto the horizontal wire under the snap-spring side doors.

Perches:

Install **perches** on a vertical wire, resting on a horizontal wire for stability.

Grille and Tray:

Rotate the windbell lock out of the way and slide the **grille** into the top channel.

Slide the **tray** into the bottom channel.



Assembly completed. ■

