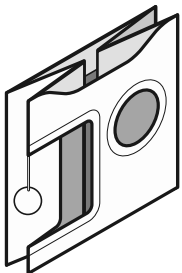
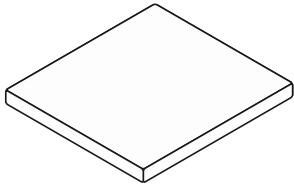
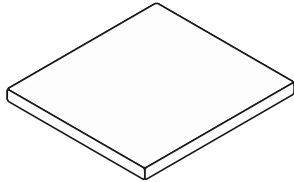
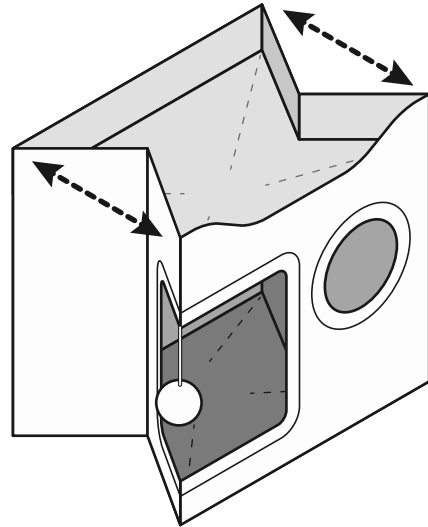


Follow the Assembly Steps in the order presented for best results.

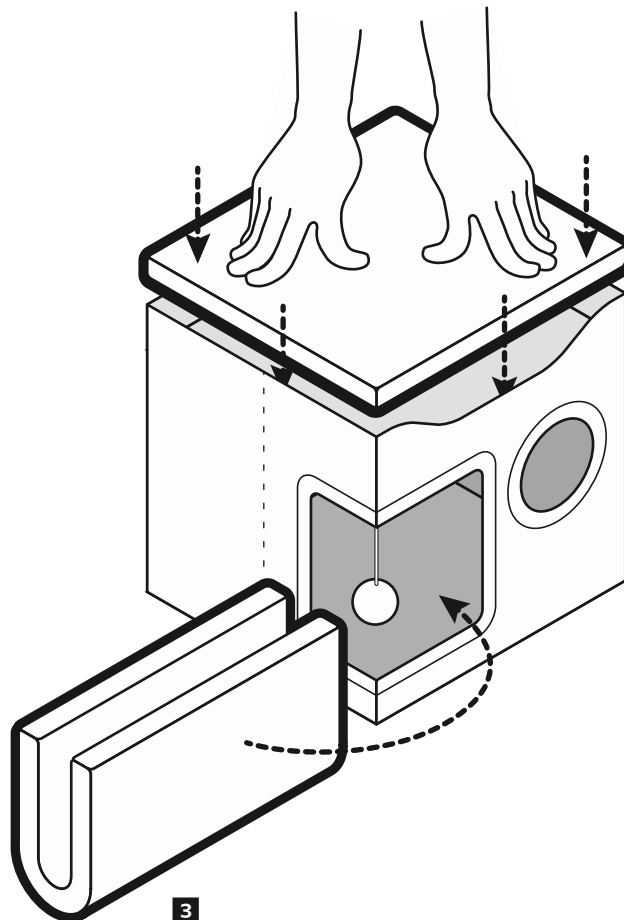
**1** PIECES



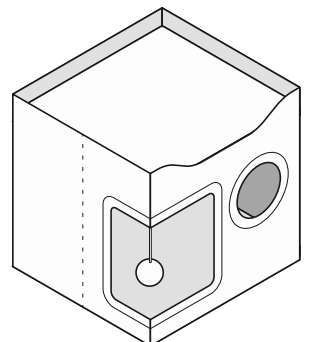
**1** Open the flattened cube.



**2** Insert rigid bedding pad in top.



**3** Insert flexible bedding pad into interior.



Assembly complete. ■

