

CUSTOMER SUPPORT

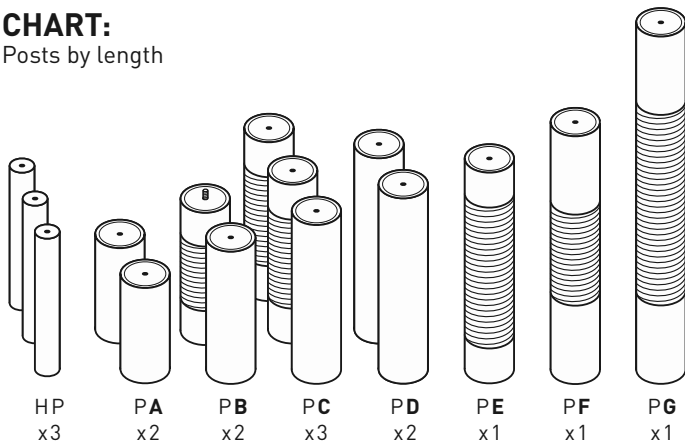
For assistance or replacement parts, please contact Prevue Pet Products:

PHONE (312) 243-3624

ONLINE prevuepet.com

EMAIL customerservice@prevuepet.com

CHART:
Posts by length



KEY:

- DB = Day Bed
- H = Hammock
- TA = Toy Arm
- P(x) = Post
(A, B, C, D, E, F, G)
- JP = Jumping Platform
- SP = Scratching Platform
- B = Base
- HR = Hideaway Roof
- HB = Hideaway Base
- HS = Hideaway Shell
- HP = Hideaway Post

***** These parts are interchangeable:

- PA** 2 posts
- PC** 3 posts
- PD** 2 posts
- HP** 3 posts
- JP** 3 = **JP** 4

HARDWARE :

Short Hex Screw
1 piece

Long Hex Screw
12 pieces

Short Screwpost
1 piece

Long Screwpost
8 pieces

Hex Key
included

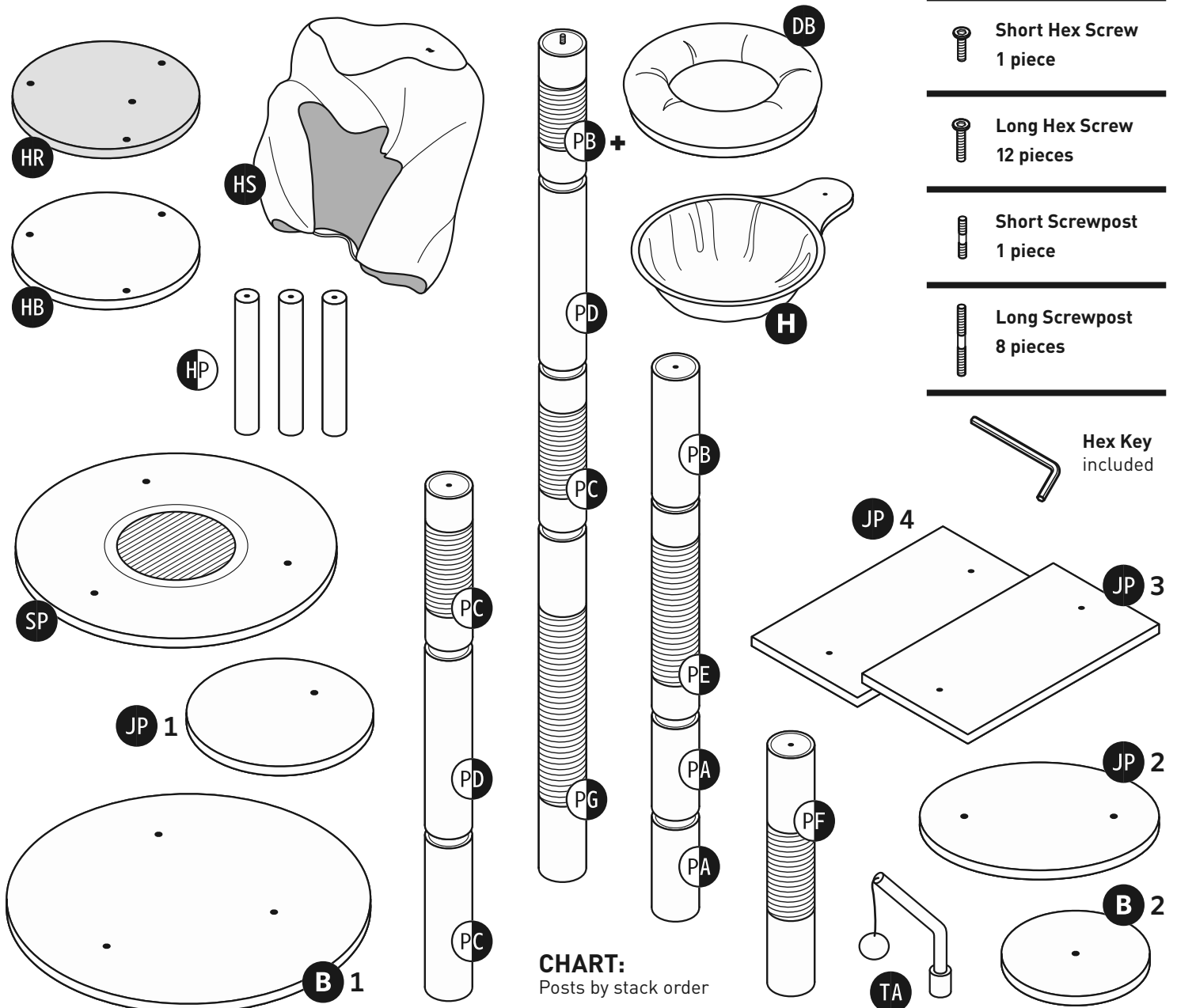


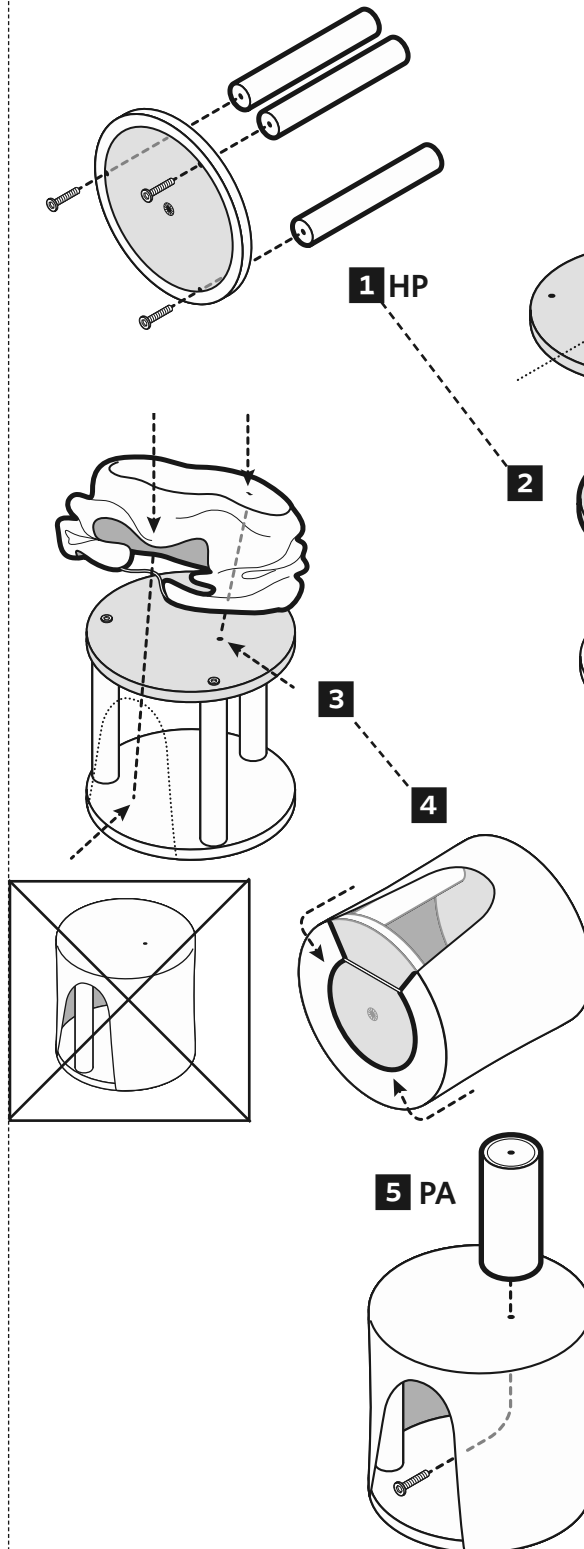
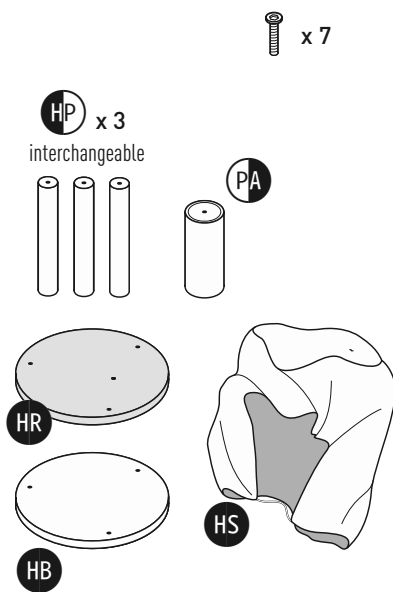
CHART:
Posts by stack order

HELPFUL TIPS

It looks complicated. Follow the Steps in order and you'll be done before you know it!

- Scan through the instructions before starting.
- Arrange posts by height, as shown on PARTS LIST Chart.
- Pull the short screws out (for use in Steps 2 and 3).

1 PIECES



1 Attach **HP** hideaway posts to the hideaway base.

2 Attach the hideaway roof.

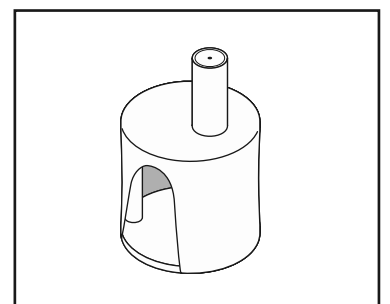
* **NOTE:** Orient the roof so the extra hole is right-side of center and closer to the front-right hole.

3 When the hole on the **hideaway shell** is aligned with the hole in the roof, the hideaway opening will fall between the support posts. Pull the shell down over the assembled frame...

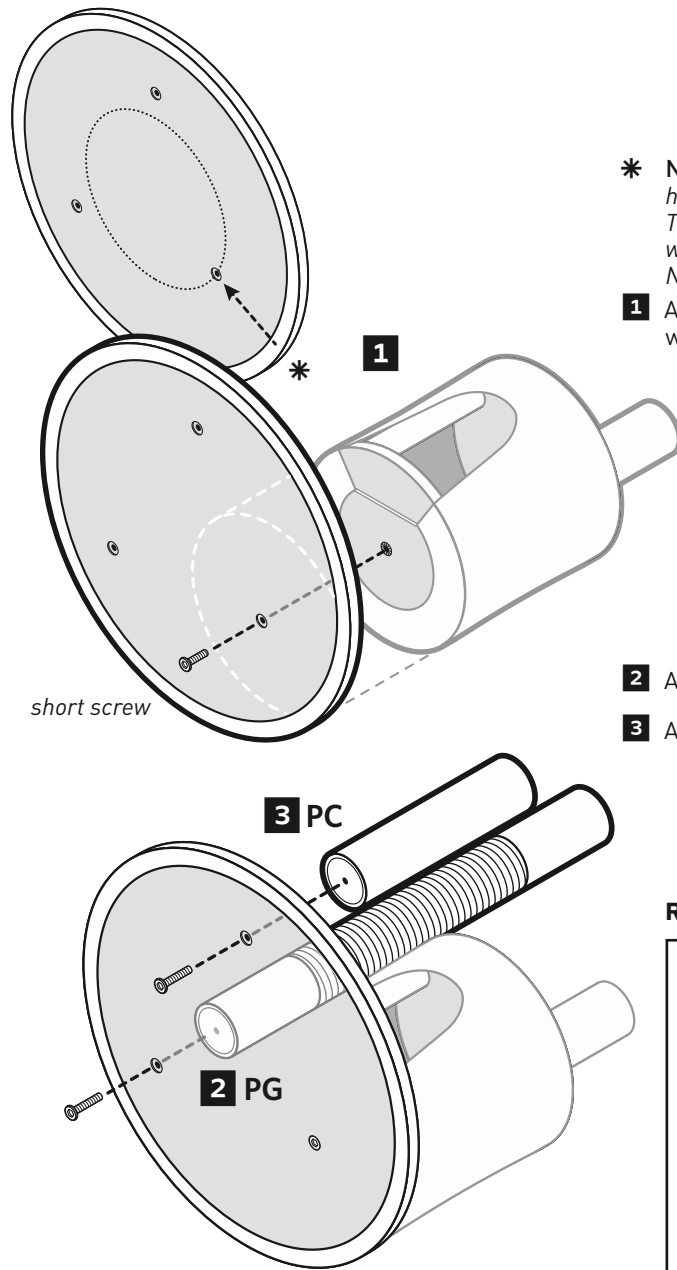
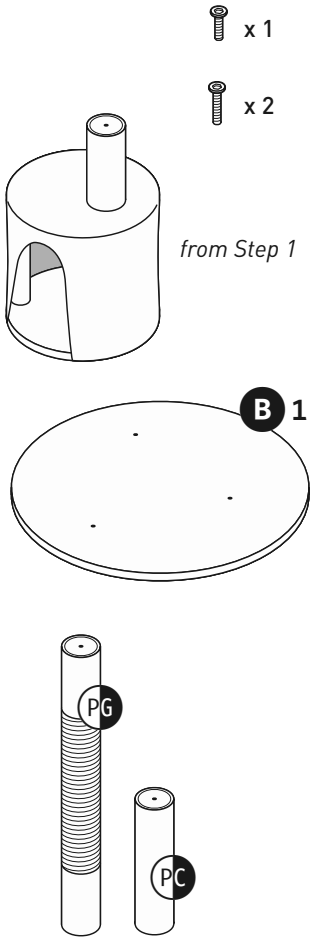
4 ... until it overlaps the bottom.

5 Align the shell with the hole and roof seam edges before attaching the **PA** post.

Ready for next step →



2 PIECES



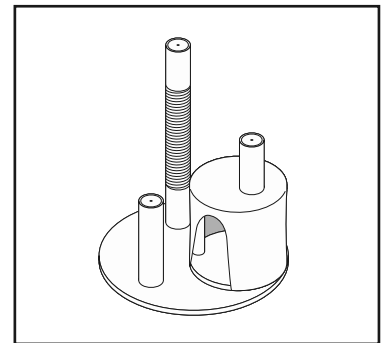
* **NOTE:** The screw hole for the hideout is *closer to center*. The hideout unit, when attached, will be flush with the edge — *NOT hanging over*.

1 Attach the **hideaway** to the base with the **short screw**.

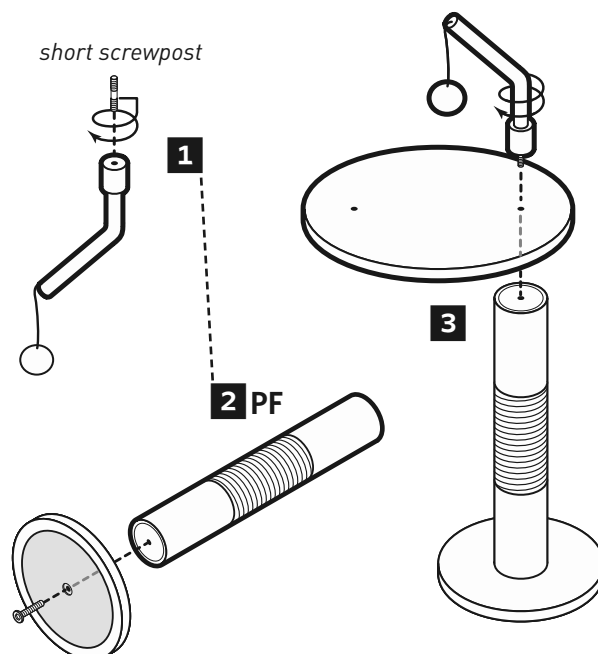
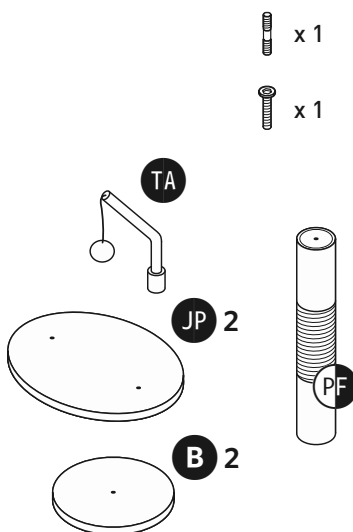
2 Attach the **PG** post in the **back** hole.

3 Attach a **PC** post in the **front** hole.

Ready for next step ↙



3 PIECES

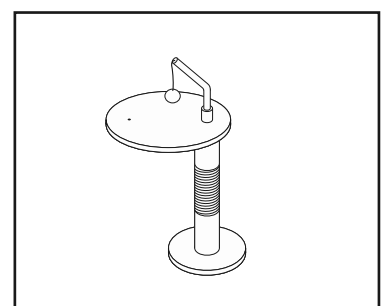


1 Screw the **short screwpost** into the **toy arm**.

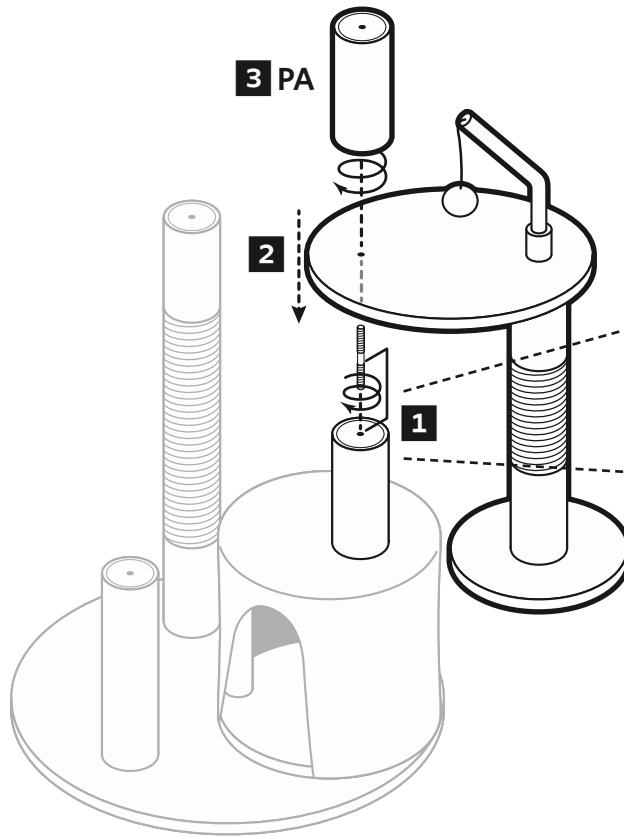
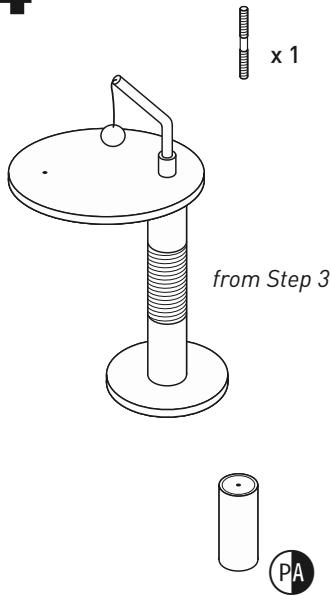
2 Attach the **small base** to the **PF post**.

3 Twist the screwpost on the toy arm through the oval **JP2 platform** into the PF post.

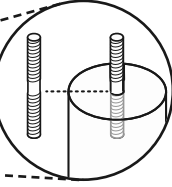
Ready for next step →



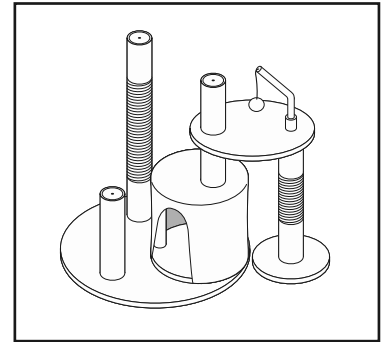
4 PIECES



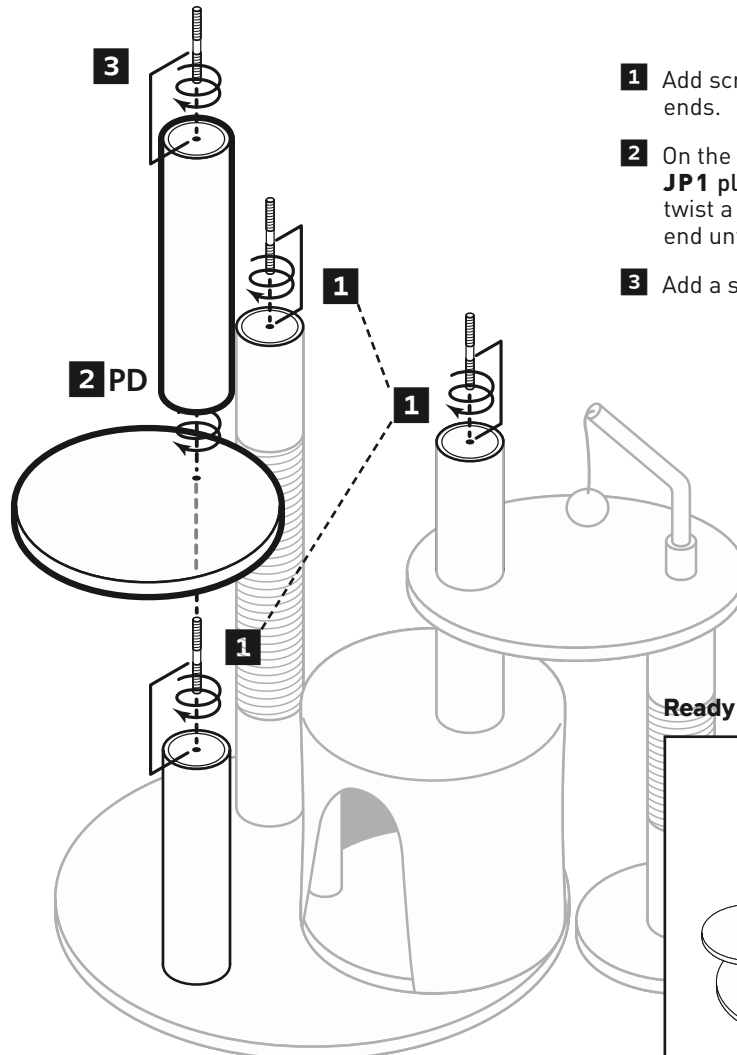
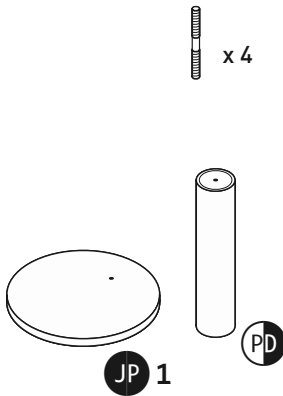
- 1 Add a screwpost to the post on the hideaway.
- 2 Insert the oval platform unit (Step 3) onto the exposed screwpost.
- 3 Twist the **PA** post onto the screwpost.



Ready for next step ↙

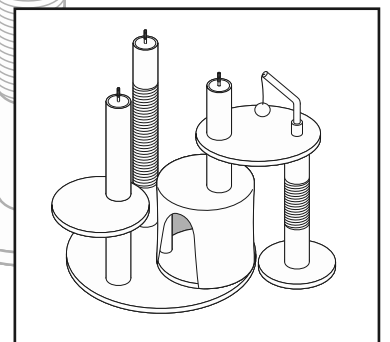


5 PIECES

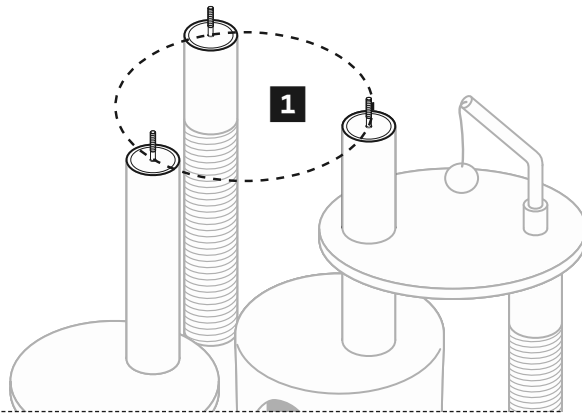
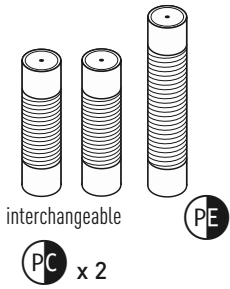
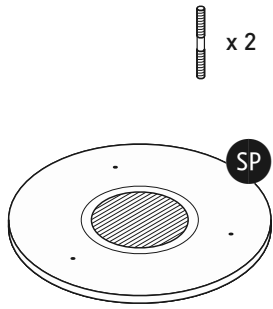


- 1 Add screwposts to all three post ends.
- 2 On the front post, insert the round **JP1** platform over the screw and twist a **PD** post onto the exposed end until tight.
- 3 Add a screwpost to the post end.

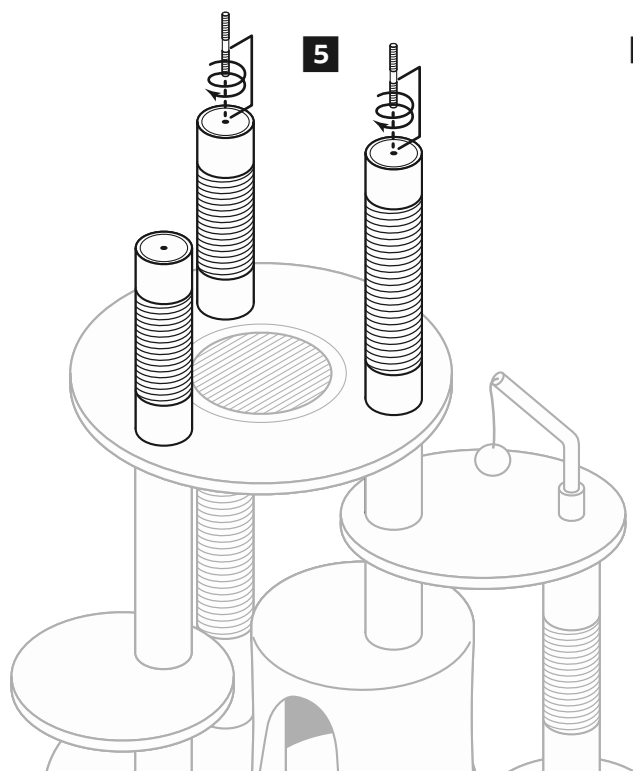
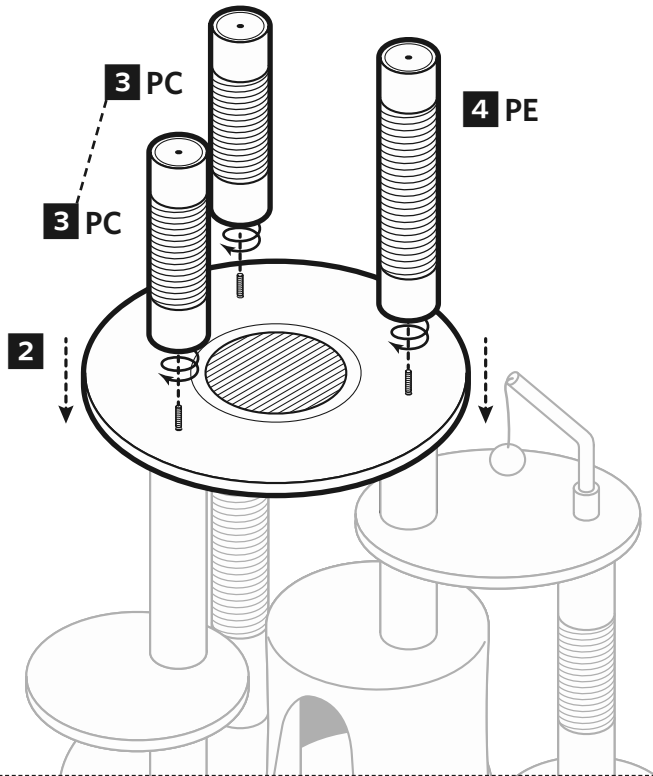
Ready for next step →



6 PIECES

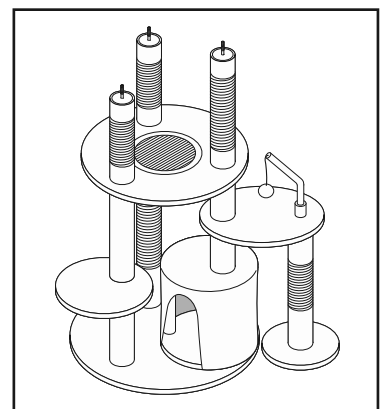


- 1** Check your progress: if the lower portion has been assembled correctly, all three posts should be at the same height.
- 2** Slip the scratching platform down over the exposed screws.
- 3** Twist **PC** posts onto the back and front-left screwposts.
- 4** Twist the **PE** post onto the front-right screwpost.

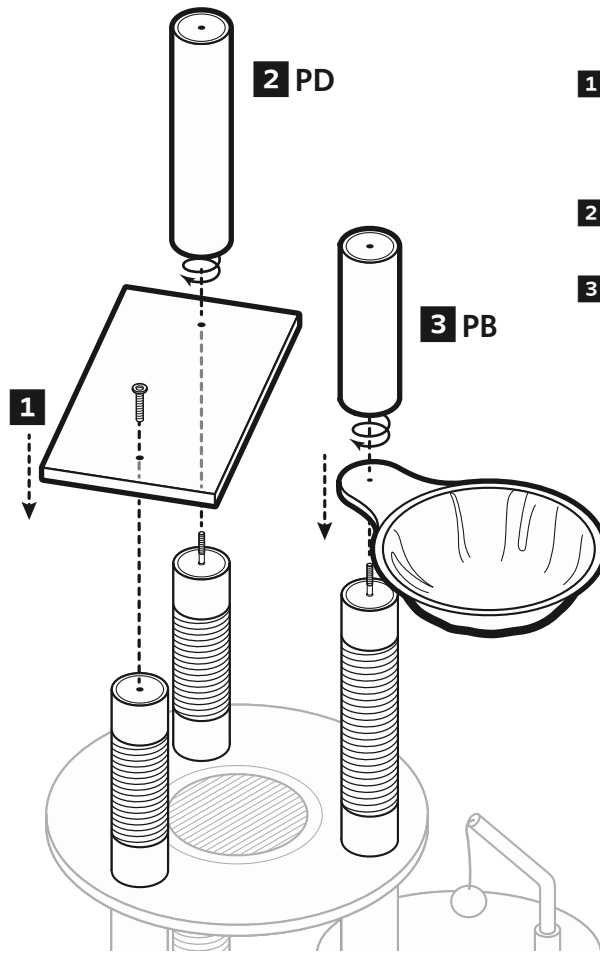
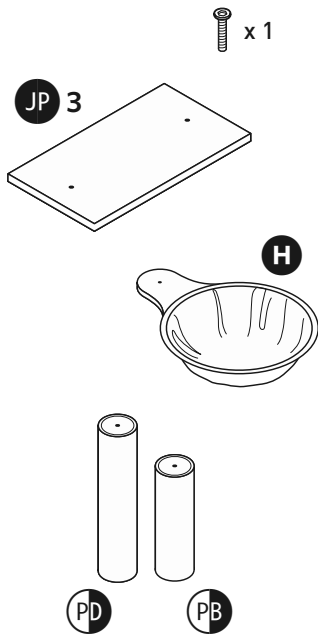


- 5** Add screwposts to the back and front-right posts.

Ready for next step →

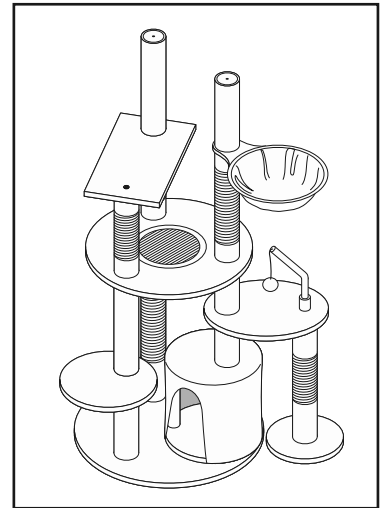


7 PIECES

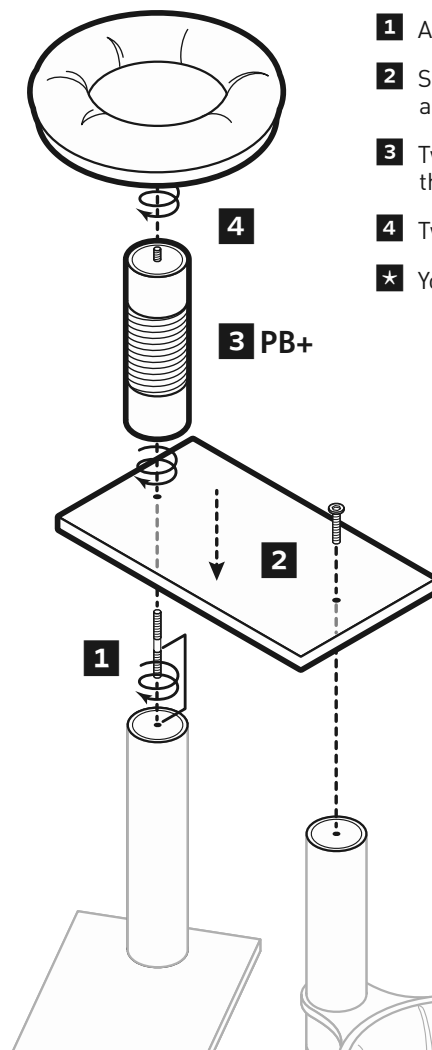
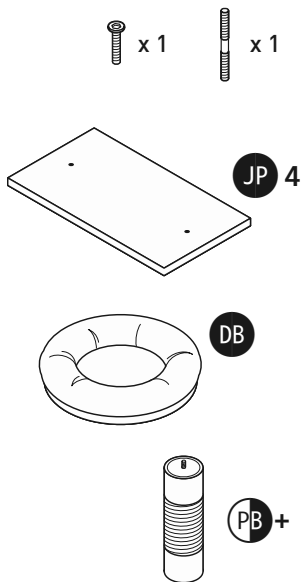


- 1** Slip the **JP3** platform over the back screwpost and attach it to the front-left post with a hex screw.
- 2** Twist the **PD** post over the back screwpost.
- 3** Slip the **hammock** onto the front-right screwpost and twist the **PB** post onto the exposed end.

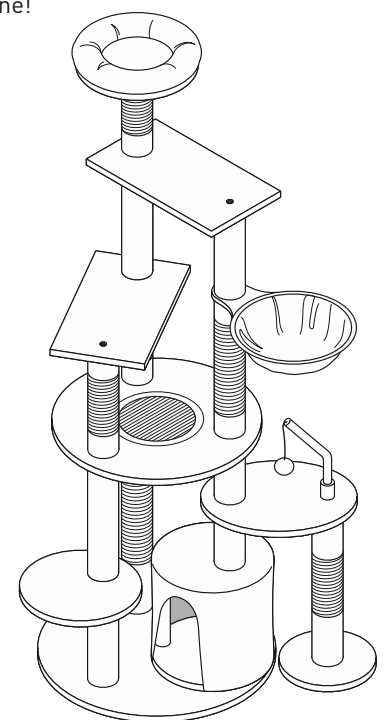
Ready for last step ↙



8 PIECES



- 1** Add a screwpost to the back post.
- 2** Slip the **JP4** platform over the back screwpost and attach it to the front-right post with a hex screw.
- 3** Twist the **PB+** post (with integrated screwpost) onto the screwpost.
- 4** Twist the **day bed** onto the screwpost.
- ★ You did it! You're done!



Assembly completed. ■

