

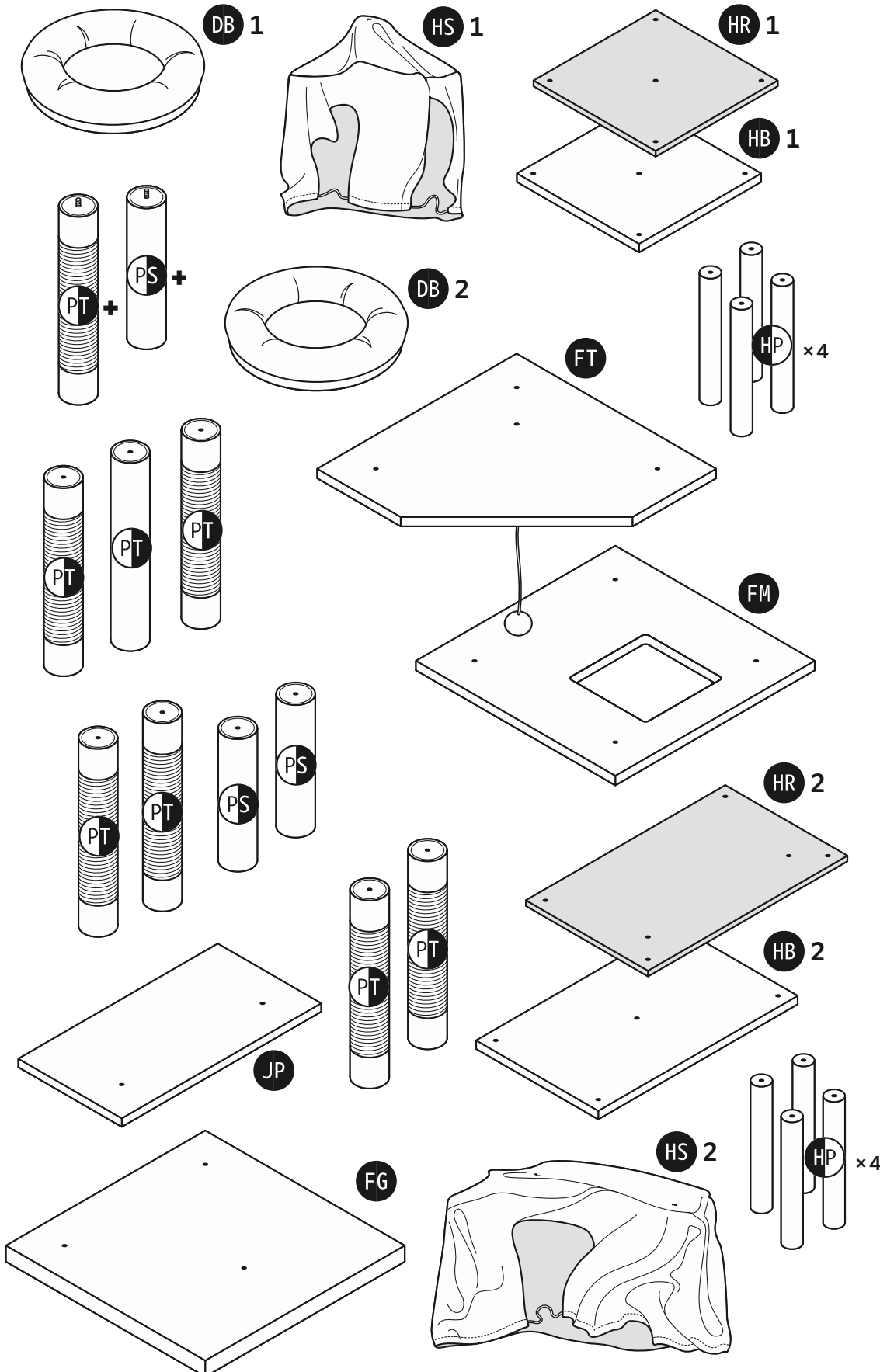
**CUSTOMER SUPPORT**

For assistance or replacement parts,  
please contact Prevue Pet Products:

**PHONE** (312) 243-3624

**ONLINE** [prevuepet.com](http://prevuepet.com)

**EMAIL** [customerservice@prevuepet.com](mailto:customerservice@prevuepet.com)





**KEY:**

- DB = Day Bed (2)
- FT = Floor - top
- FM = Floor - midlevel
- FG = Floor - ground
- JP = Jumping Platform
- PS = Short post (2)
- PS+ = Short post with integrated screw (1)
- PT = Tall post (7)
- PT+ = Tall post with integrated screw (1)
- HR = Hideaway Roof (2)
- HB = Hideaway Base (2)
- HS = Hideaway Shell (2)
- HP = Hideaway Post (8)

**HARDWARE:**





 **Short Hex Screw**  
2 piece

 **Long Hex Screw**  
24 pieces

 **Long Screwpost**  
6 pieces

 **Hex Key**  
included

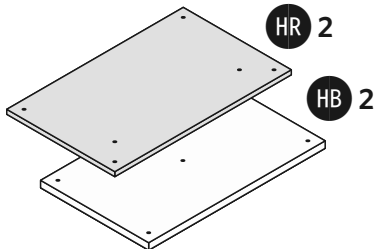
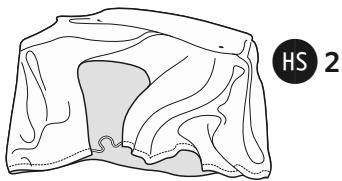
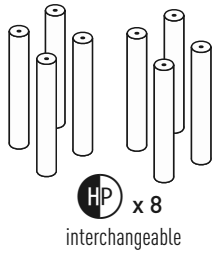
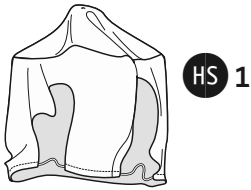
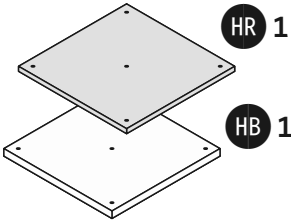
**\*** These parts are interchangeable:

-  2 posts
-  7 posts
-  8 posts
-  2 beds

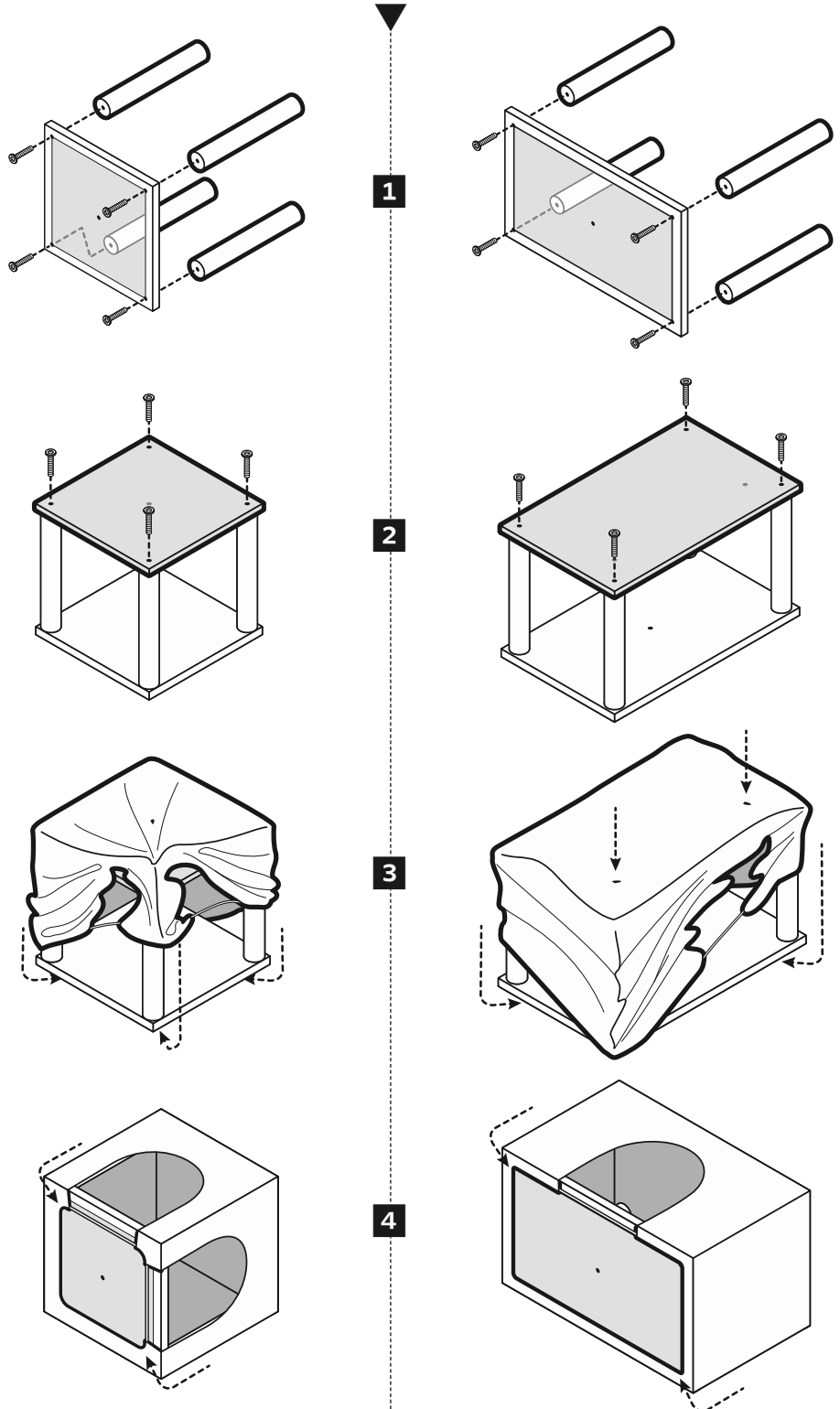
Follow the Assembly Steps in the order presented for best results.

**1** PIECES

 x 16



Assemble both hideaways: **1** Attach **HP** hideaway posts to the bases. **2** Attach the roofs.  
**3** Align holes in the hideaway shells with holes in the roofs. Pull the shells down over the frames... **4** ...overlapping the bottoms.

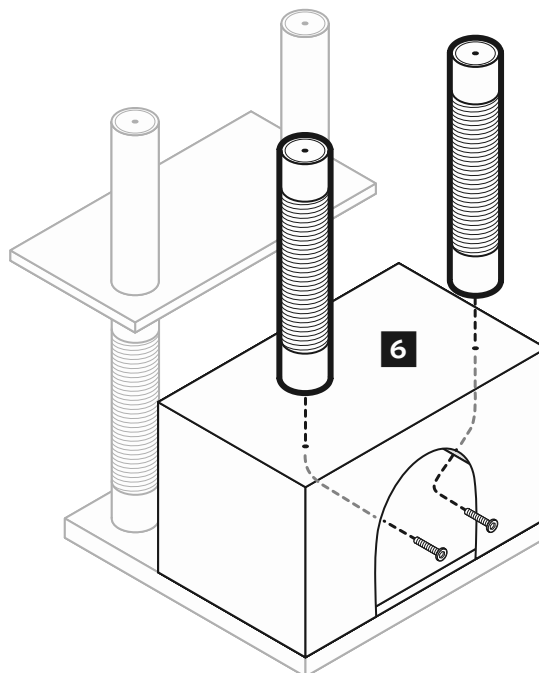
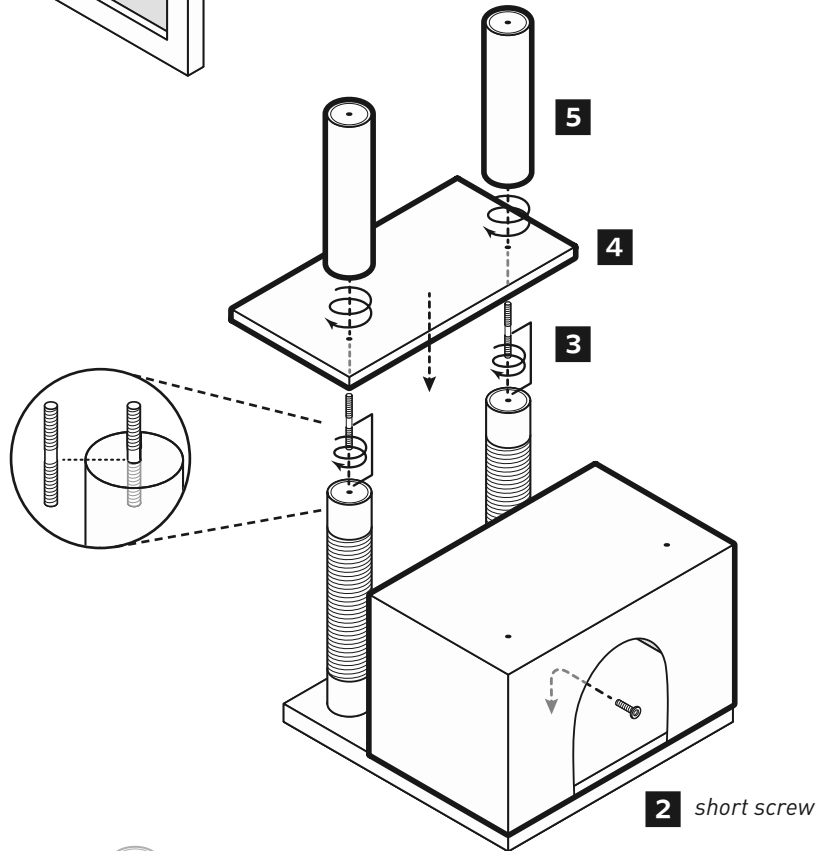
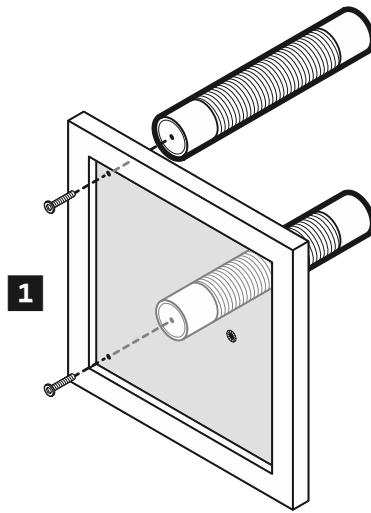
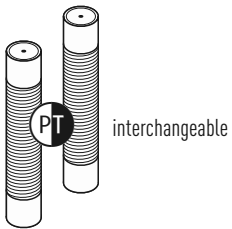
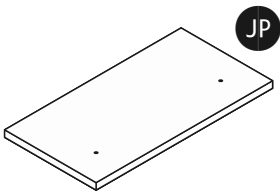
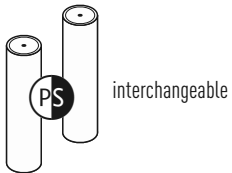
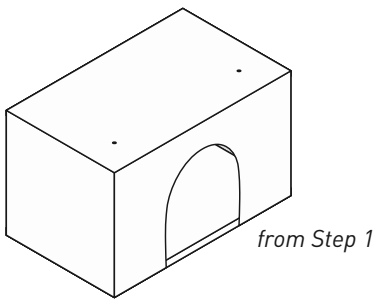
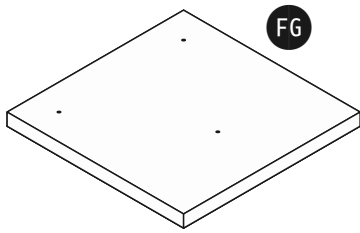
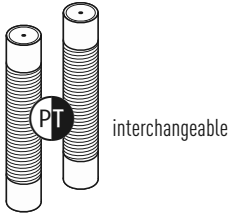


# 2 PIECES

 x 1  
*short*

 x 4

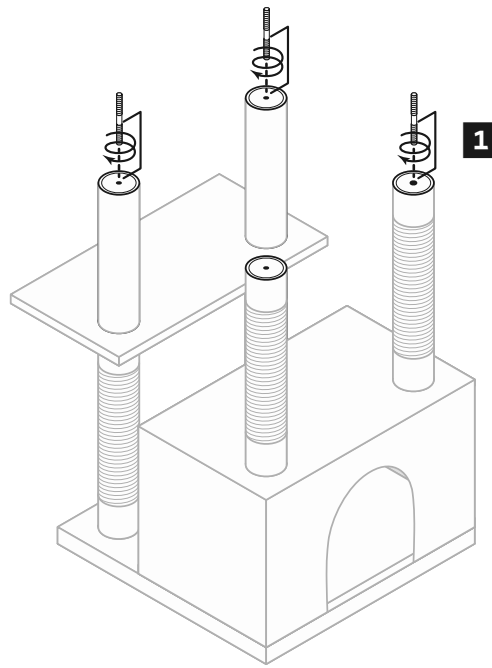
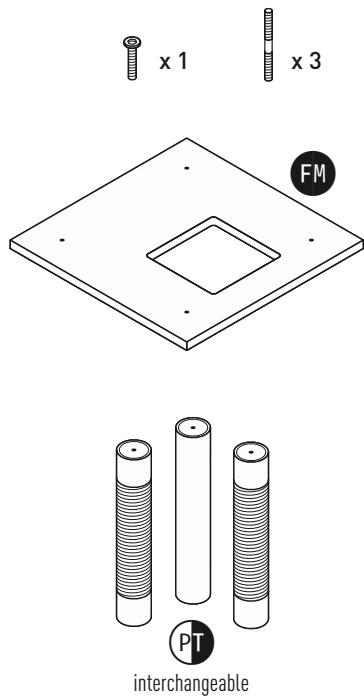
 x 2



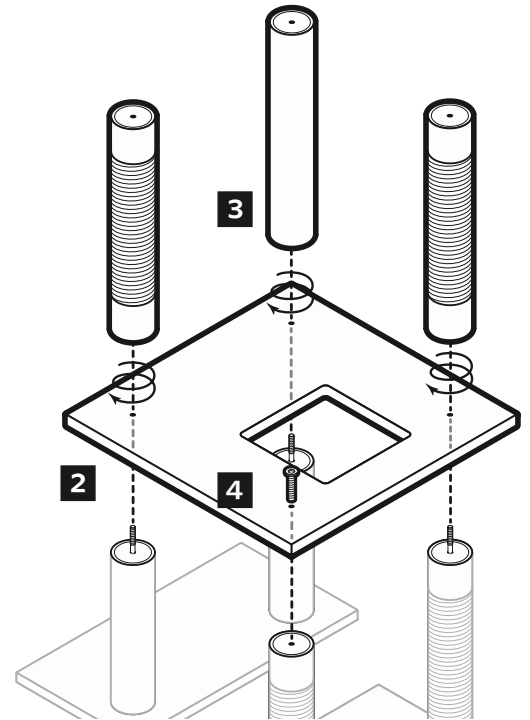
- 1 Attach **PT** posts to the base with long hex screws.
- 2 Attach the long **hideaway** to the base with a short hex screw.
- 3 Add screwposts to attached posts.
- 4 Slip the **jumping platform** over the exposed screwposts.
- 5 Twist **PS** posts onto the exposed screwposts.

- 6 Attach **PT** posts to the hideaway roof with long hex screws.

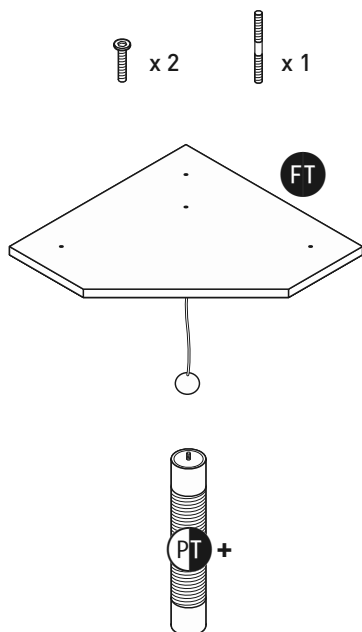
# 3 PIECES



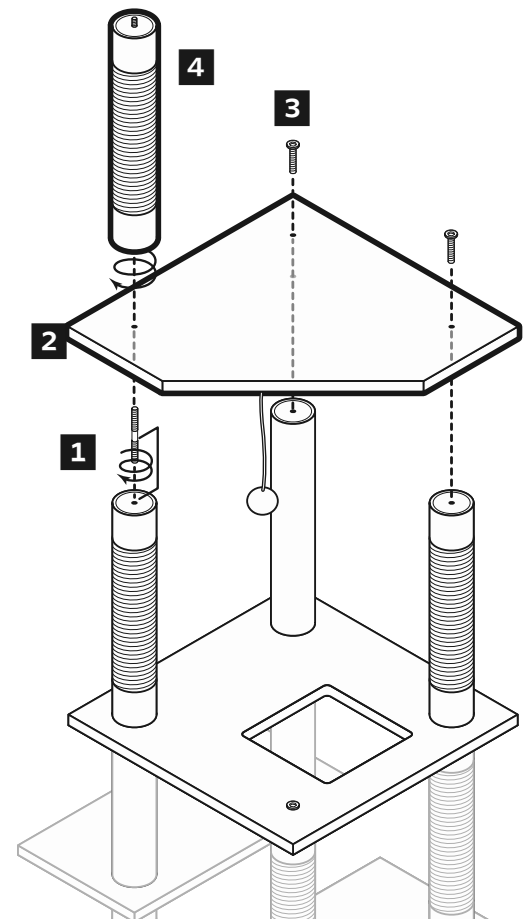
- 1 Add screwposts to three posts as illustrated.
- 2 Slip the midlevel floor over the exposed screwposts.
- 3 Twist **PT** posts onto the exposed screwposts.
- 4 Attach the front corner to the post below with a long hex screw.



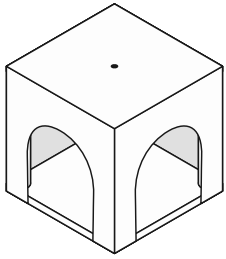
# 4 PIECES



- 1 Add a screwpost to the left post as illustrated.
- 2 Slip the top floor over the exposed screwpost.
- 3 Attach the back and right corners to their respective posts with long hex screws.
- 4 Twist the **PT+** post onto the exposed screwpost.

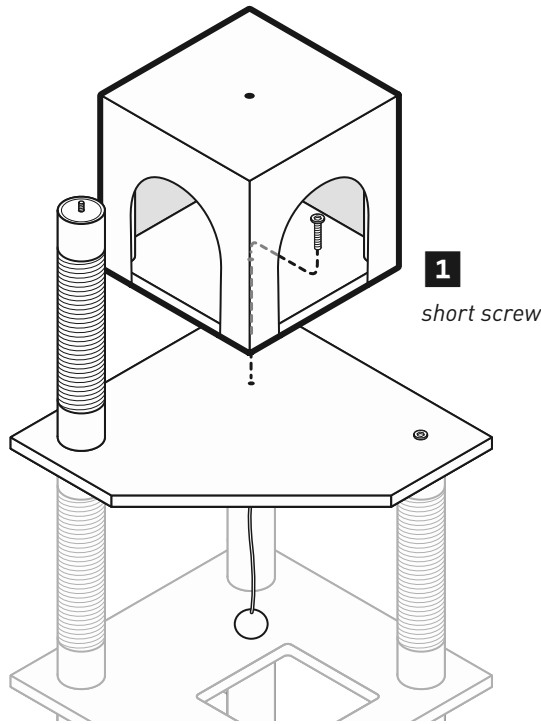


# 5 PIECES



x 1  
short

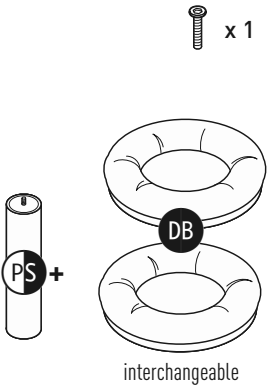
from Step 1



**1** Attach the cube hideaway to the base with a short hex screw.

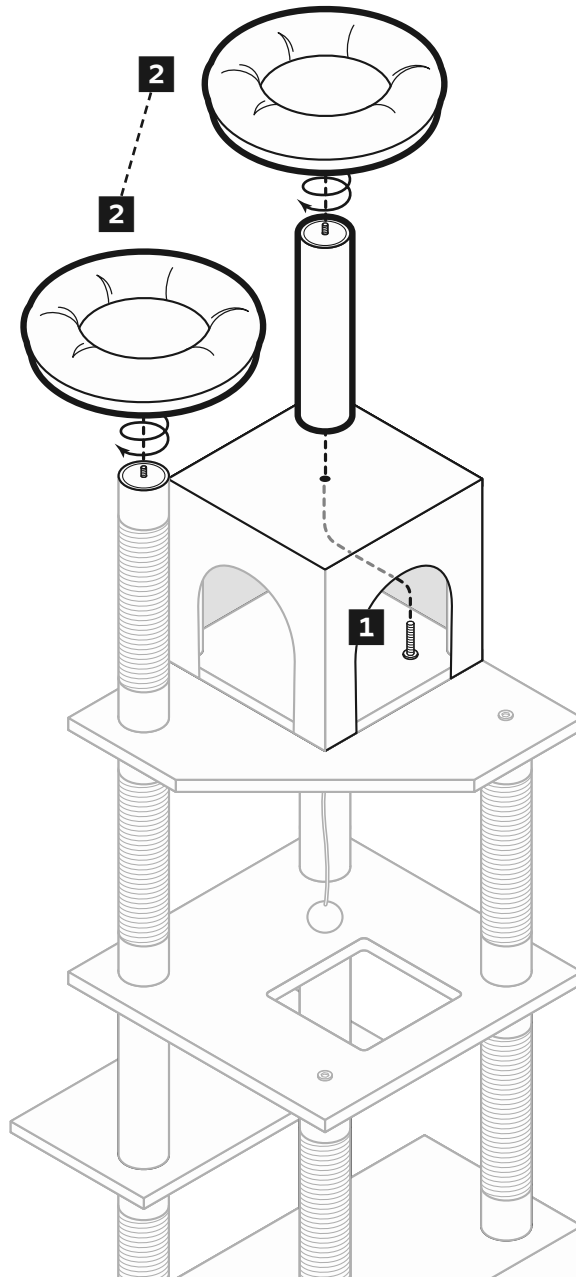
**1**  
short screw

# 6 PIECES



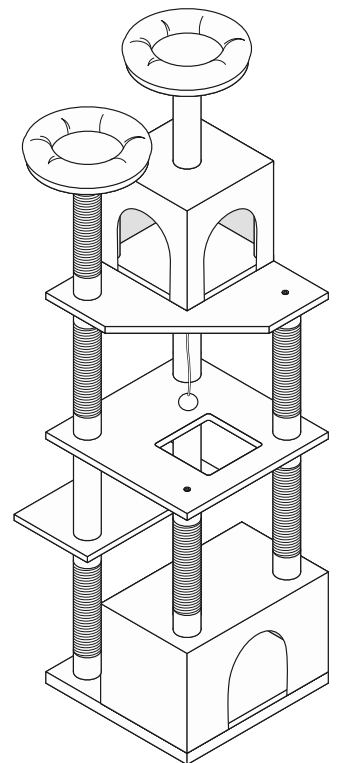
x 1

interchangeable



**1** Attach the **PS+** post onto the hideaway roof with a long hex screw.

**2** Twist the day beds onto the screwposts.



Assembly completed. ■

