

**KEY:**

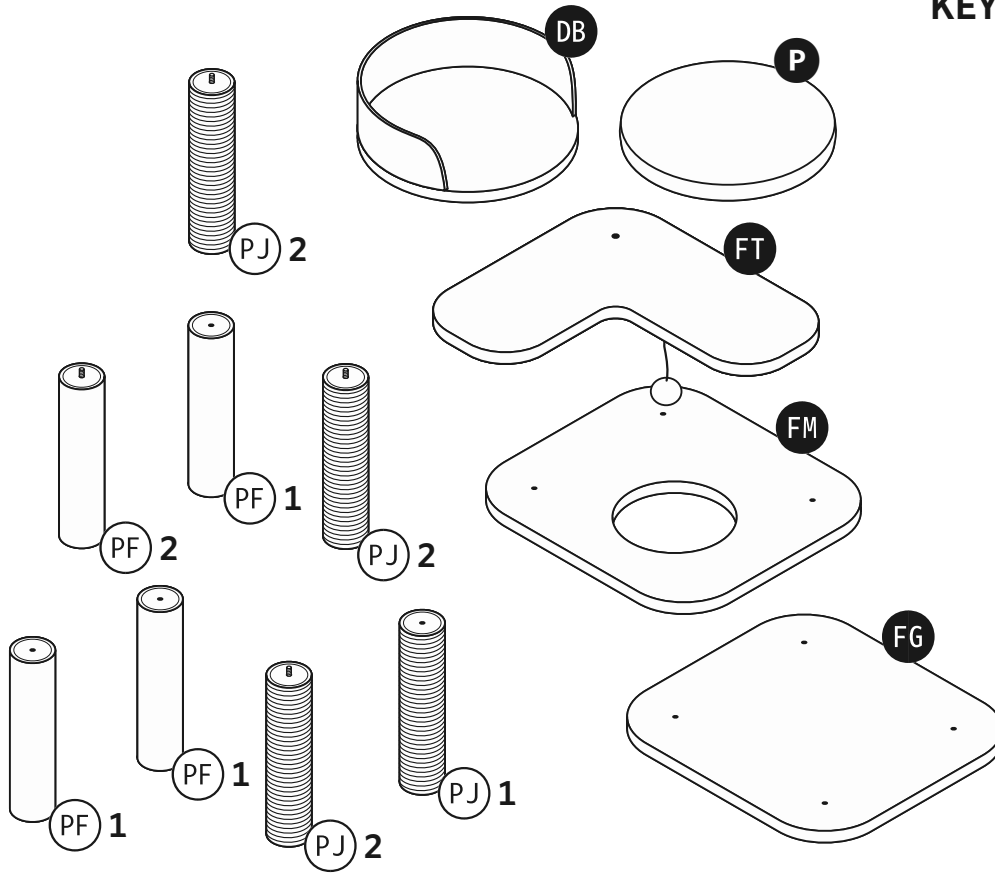
DB = Day Bed FT = Floor-Top  
P = Pillow FM = Floor-Mid  
FG = Floor-Ground

PF1 = Post-Fabric (3)

PF2 = Post-Fabric (screwpost end) (1)

PJ1 = Post-Jute (1)

PJ2 = Post-Jute (screwpost end) (3)



**Screw Post**  
4 pieces



**Hex Screw**  
4 pieces



**Hex Key**  
included



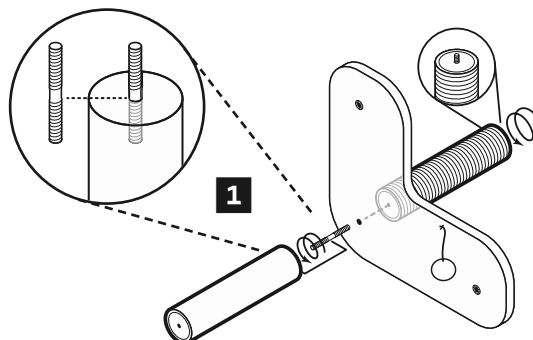
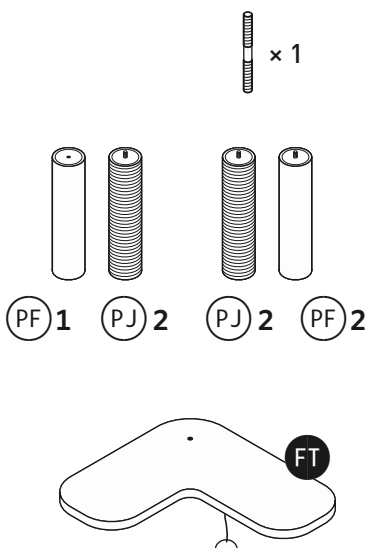
These parts are interchangeable:

PF 1 = PJ 1 (no screwpost)

PF 2 = PJ 2 (screwpost)

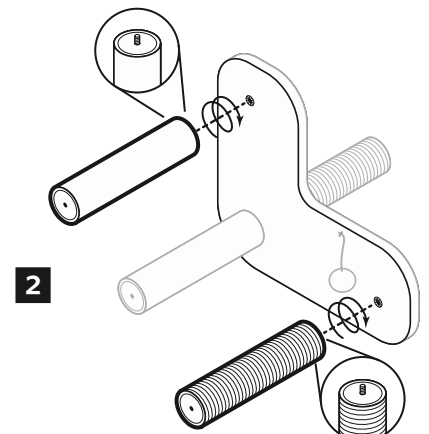
# ASSEMBLY

## 1 PIECES

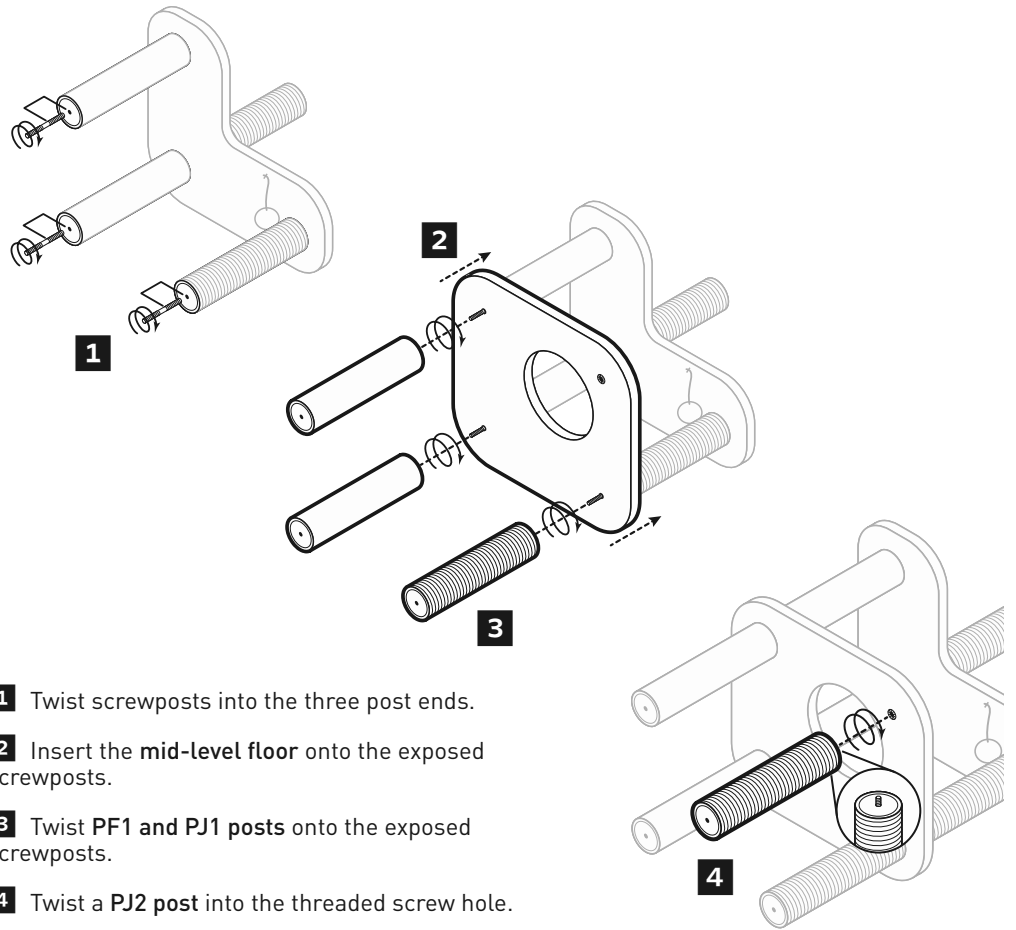
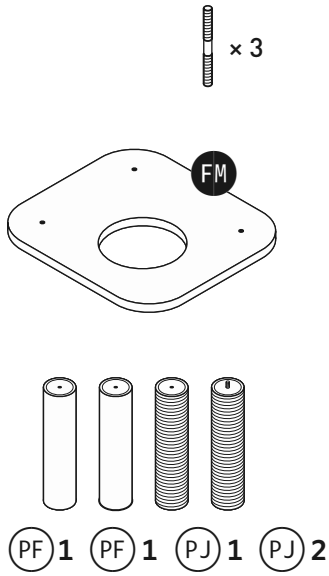


**1** Twist a screwpost into a PF1 fabric post. Insert the screwpost end through the top floor and twist a PJ2 jute post onto the exposed end.

**2** Twist PF2 and PJ2 posts into the threaded screw holes.

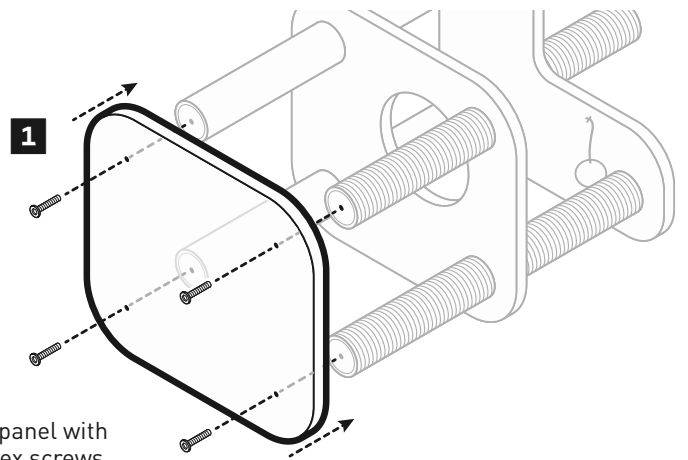
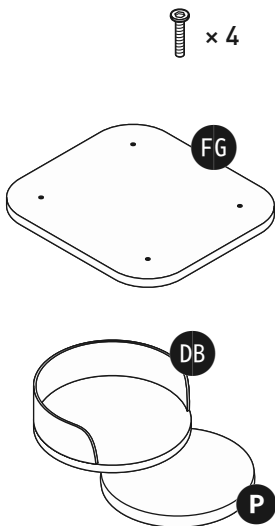


## 2 PIECES



- 1 Twist screwposts into the three post ends.
- 2 Insert the mid-level floor onto the exposed screwposts.
- 3 Twist PF1 and PJ1 posts onto the exposed screwposts.
- 4 Twist a PJ2 post into the threaded screw hole.

## 3 PIECES



- 1 Align the **ground floor** panel with the posts and attach with hex screws.

- 2 Stand the tower upright. Twist the **day bed** onto the screwpost. Add the pillow in the bed.

