

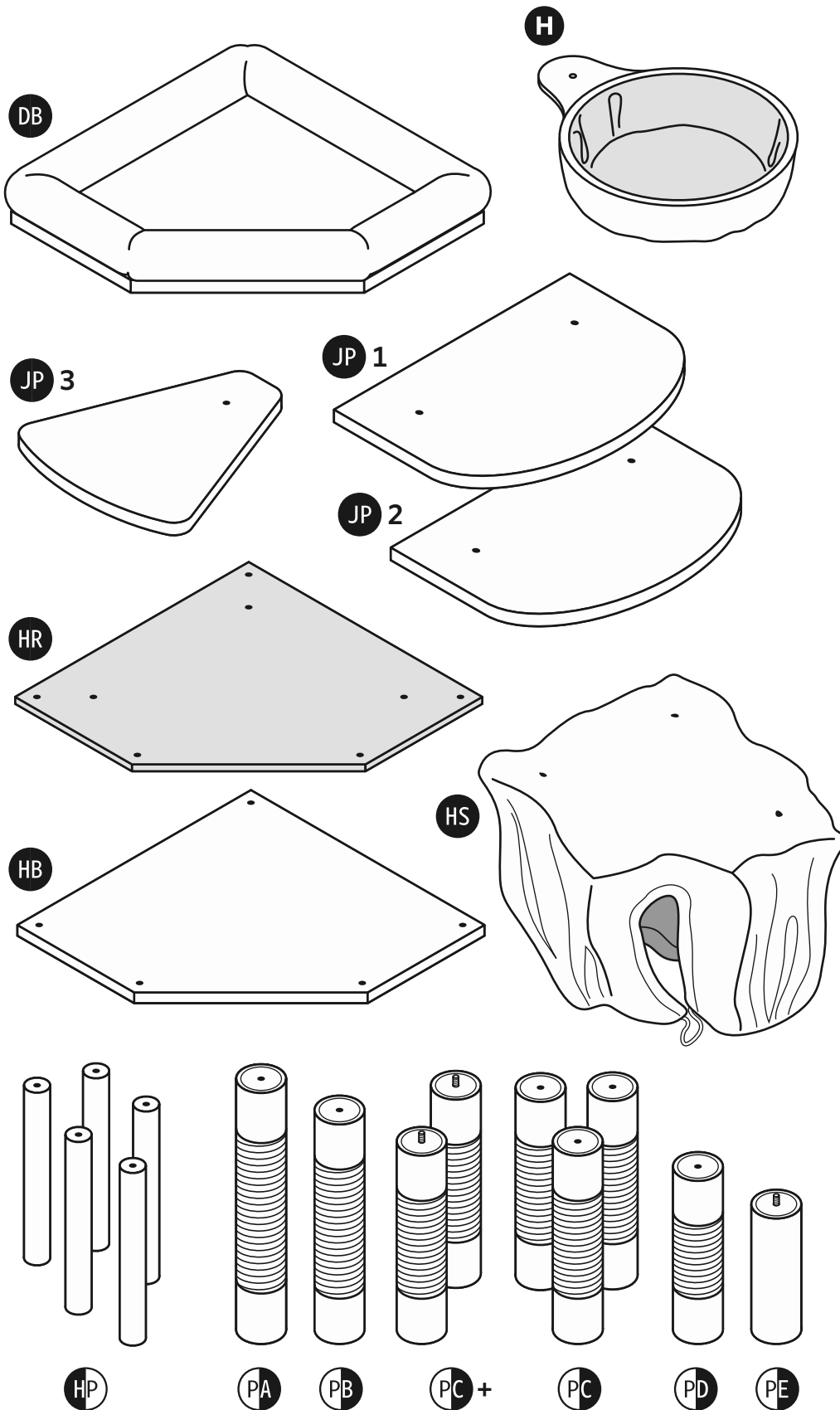
CUSTOMER SUPPORT

For assistance or replacement parts, please contact Prevue Pet Products:

PHONE (312) 243-3624

ONLINE prevuepet.com

EMAIL customerservice@prevuepet.com




KEY:

- DB = Day Bed
- H = Hammock
- JP = Jumping Platform
- P(x) = Post (A, B, C, D, E)
- HR = Hideaway Roof
- HB = Hideaway Base
- HS = Hideaway Shell
- HP = Hideaway Post

HARDWARE:






 **Hex Screw**
13 pieces

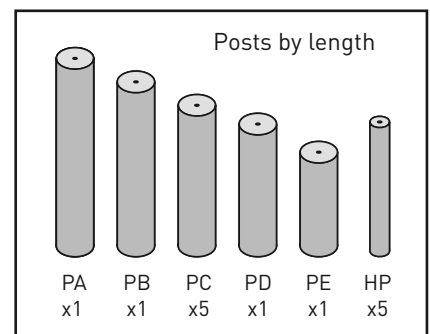
 **Screwpost**
6 piece

TOOLS:

 **Hex Key**
included

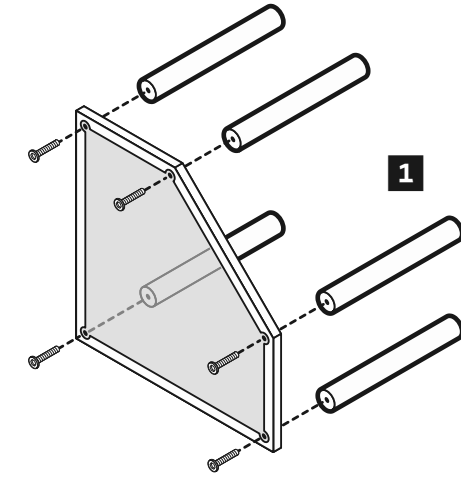
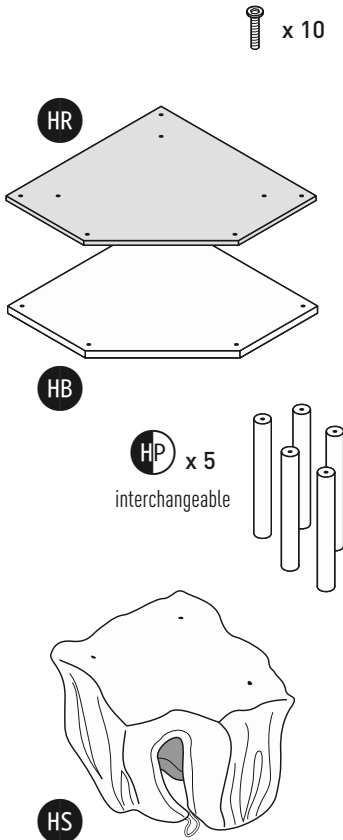
***** These parts are interchangeable:

-  **JP 1** =  **JP 2**
-  **HP** all 5 posts
-  **PC** 3 posts
-  **PC+** 2 posts ("+" indicates integrated screwpost end)



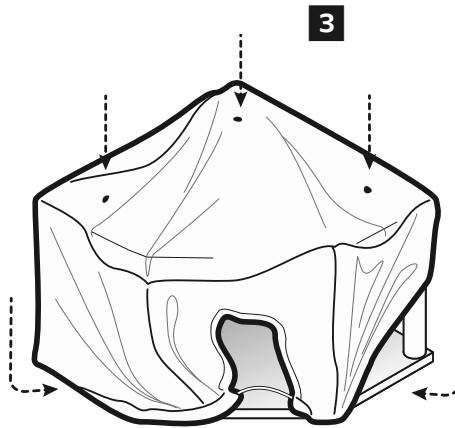
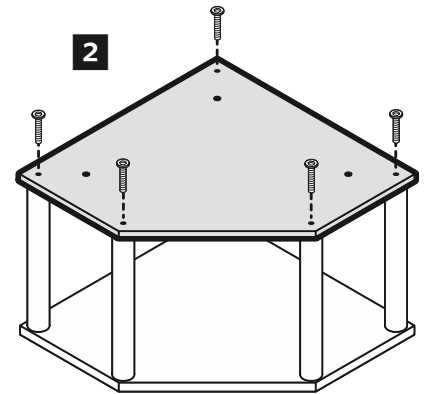
Follow the Assembly Steps in the order presented for best results.

1 PIECES



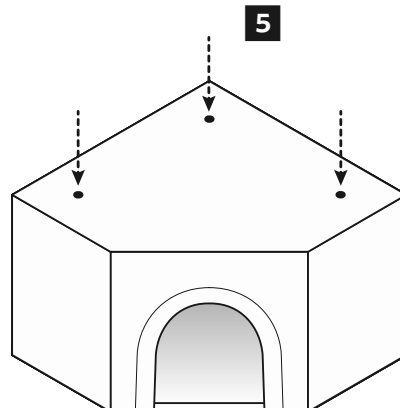
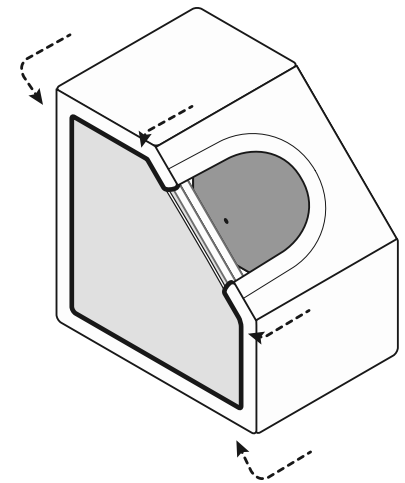
1 Attach hideaway posts to the hideaway base.

2 Attach the un-upholstered hideaway roof to the posts.



3 Check that the hideaway shell will align with the front angle cut and with the roof holes. Pull the shell down over the assembled frame.

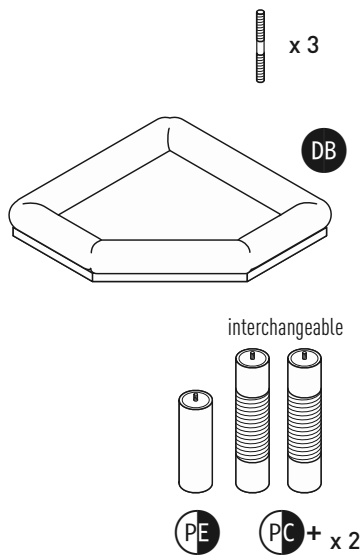
4 Pull the shell down completely until it overlaps the bottom.



5 Make sure the holes in the shell align with holes in the roof, and all the corner edges and seams are aligned.

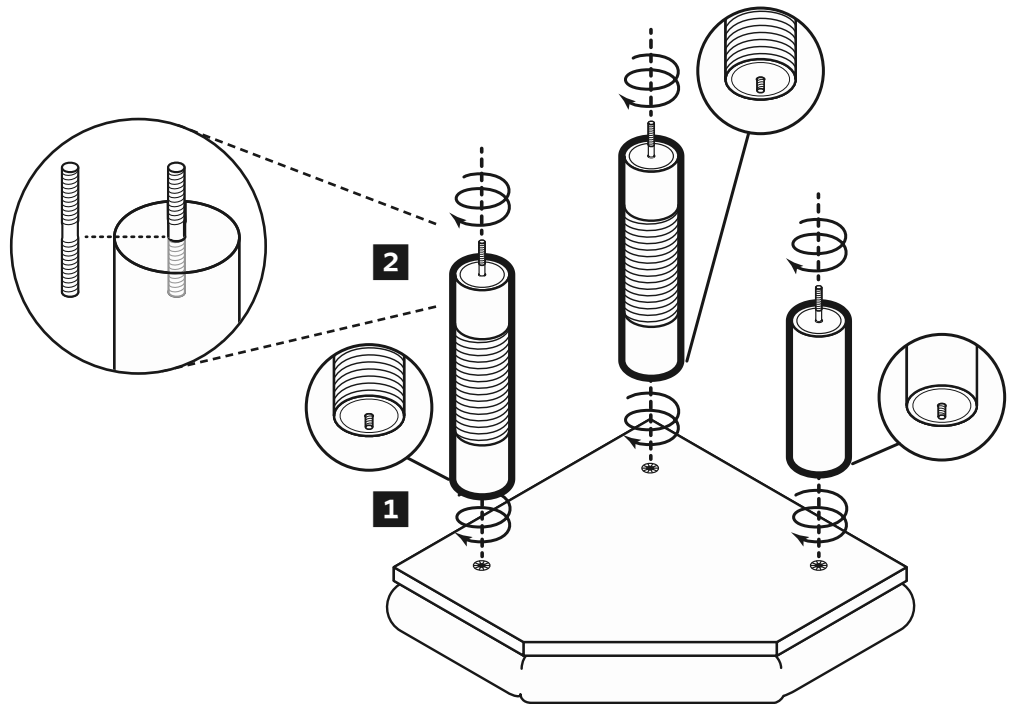
Set the hideaway aside until the last step.

2 PIECES

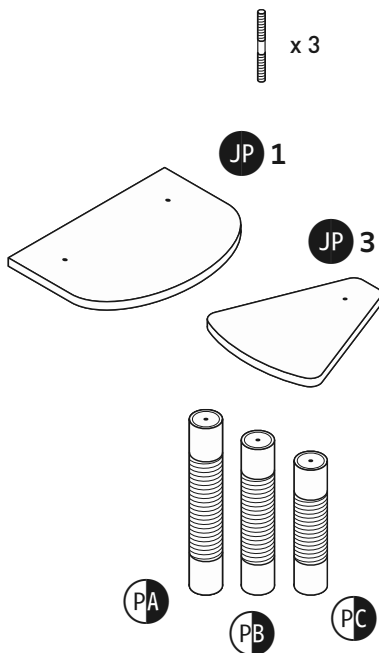


Turn the **day bed** upside down.

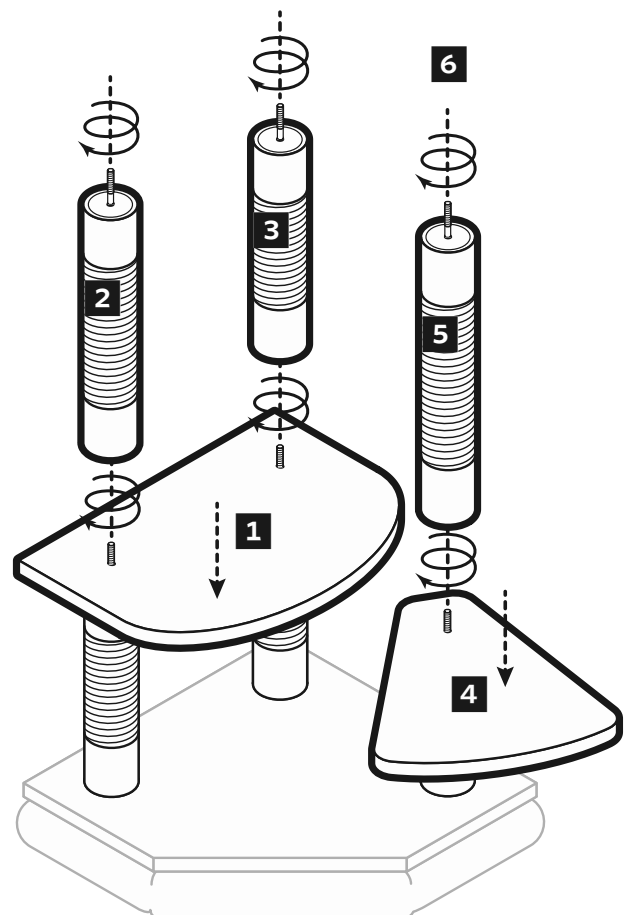
- 1 Twist the integrated screwpost ends of the **PC+ and PE** posts into the threaded screw holes.
- 2 Add screwposts into all post ends.



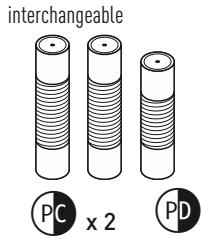
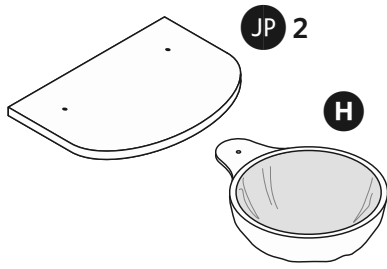
3 PIECES



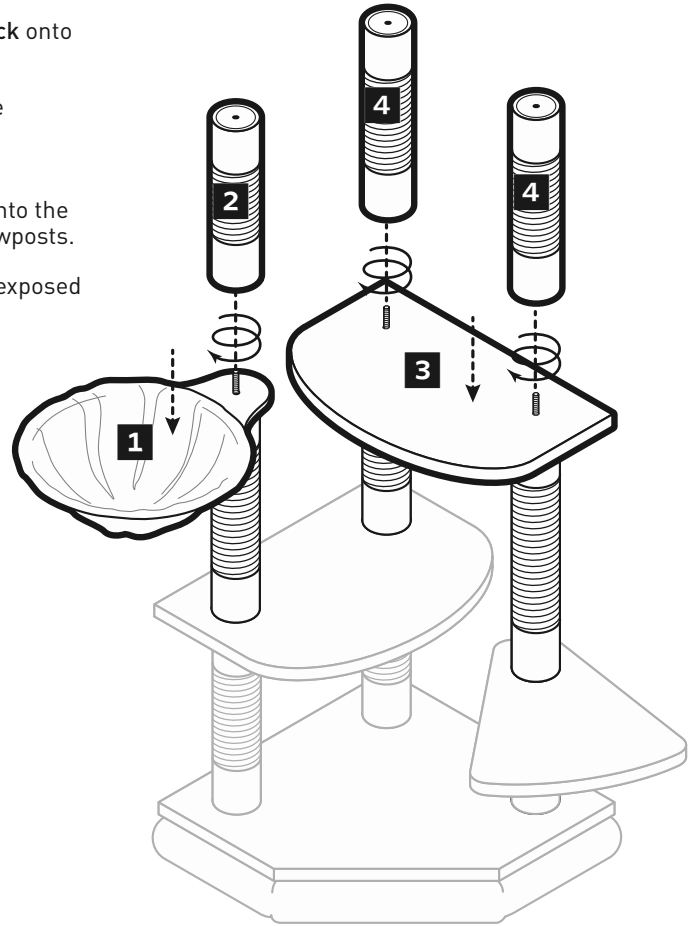
- 1 Insert the **JP1 platform** onto the front-left and back screwposts.
- 2 Twist the **PB post** onto the exposed front-left screwpost.
- 3 Twist a **PC post** onto the back screwpost.
- 4 Insert the **JP3 platform** onto the front-right screwpost.
- 5 Twist the **PA post** into the exposed screwpost.
- 6 Add screwposts into all post ends.



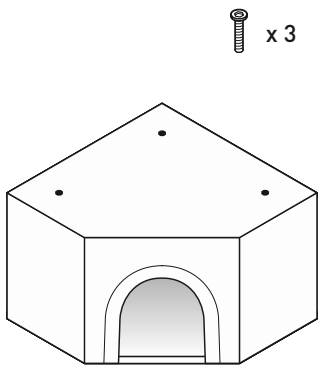
4 PIECES



- 1 Insert the **basket hammock** onto the **front-left screwpost**.
- 2 Twist the **PD post** onto the **exposed screwpost**.
- 3 Insert the **JP2 platform** onto the **back and front-right screwposts**.
- 4 Twist **PC posts** onto both **exposed screwpost**.



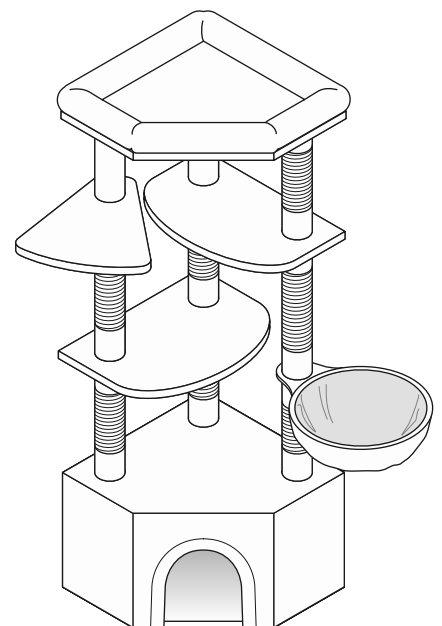
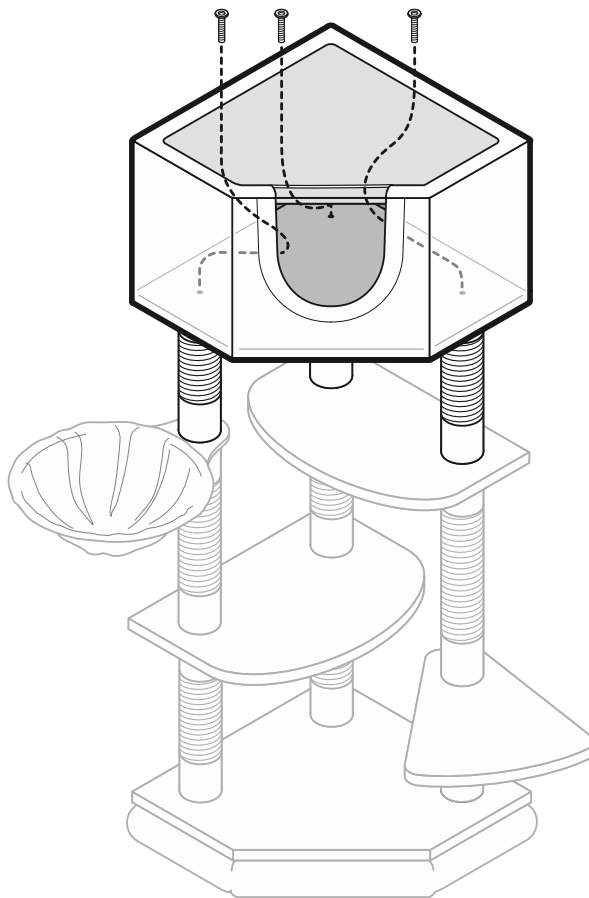
5 PIECES



from Step 1

Turn the **hideout** (assembled in Step 1) upside down, and attach it to the post ends with hex screws.

Gently, turn the assembled tower upright for use.



Assembly completed. ■

