



# Hamilton Deluxe 3-Stack Divided Breeder Cage w/Stand PARTS LIST

Instructions online at [prevuepet.com](http://prevuepet.com)

## CUSTOMER SUPPORT

Please contact Prevue Pet Products:

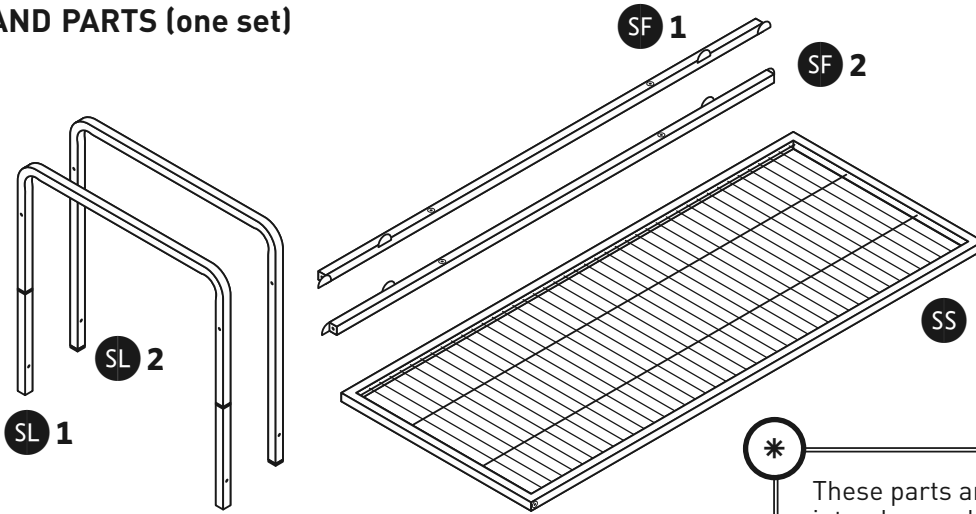
**PHONE** (312) 243-3624

**ONLINE** [prevuepet.com](http://prevuepet.com)

**EMAIL**

[customerservice@prevuepet.com](mailto:customerservice@prevuepet.com)

### STAND PARTS (one set)



### KEY:

SL = Stand Leg  
SF = Stand Frame  
SS = Stand Shelf

-----  
CR = Cage Roof  
CB = Cage Back  
CF = Cage Front  
CS = Cage Side  
DR = Divider Rail  
DG = Divider Grille  
G = Grille  
T = Tray

**\*** These parts are interchangeable:

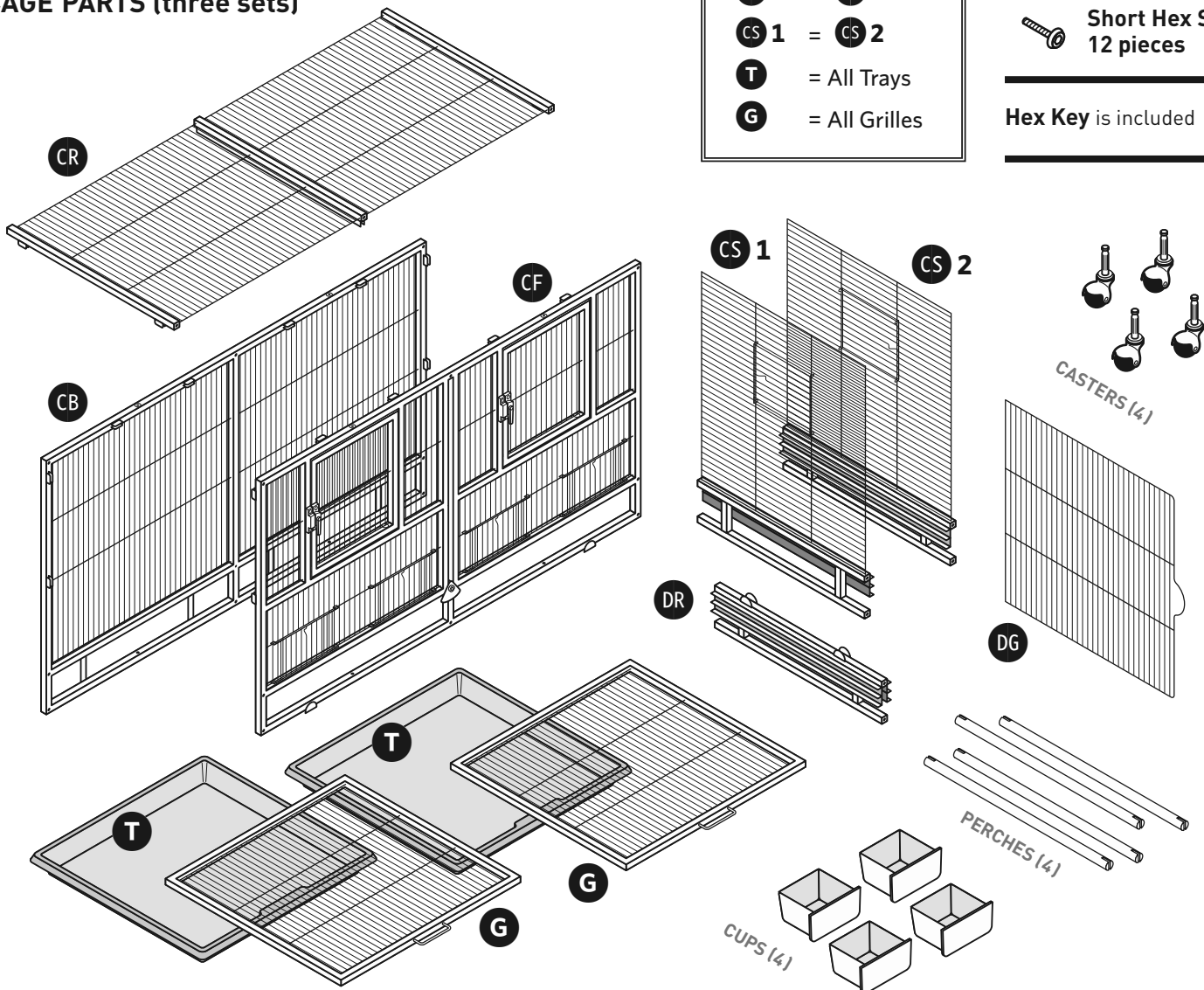
- SL 1 = SL 2
- SF 1 = SF 2
- CS 1 = CS 2
- T = All Trays
- G = All Grilles

**Long Hex Screw**  
59 pieces

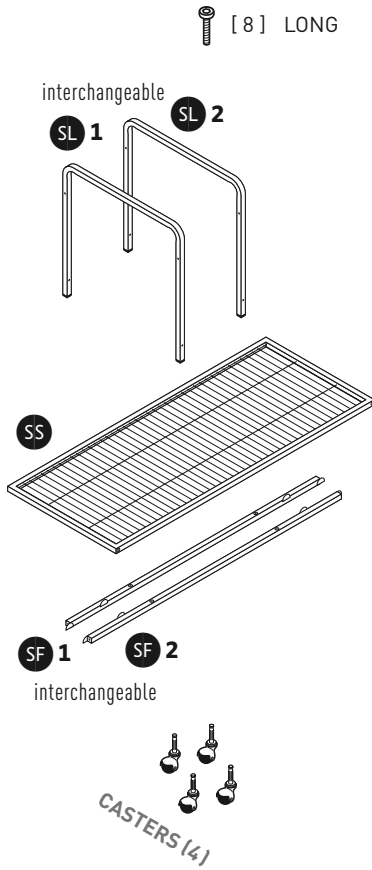
**Short Hex Screw**  
12 pieces

**Hex Key** is included

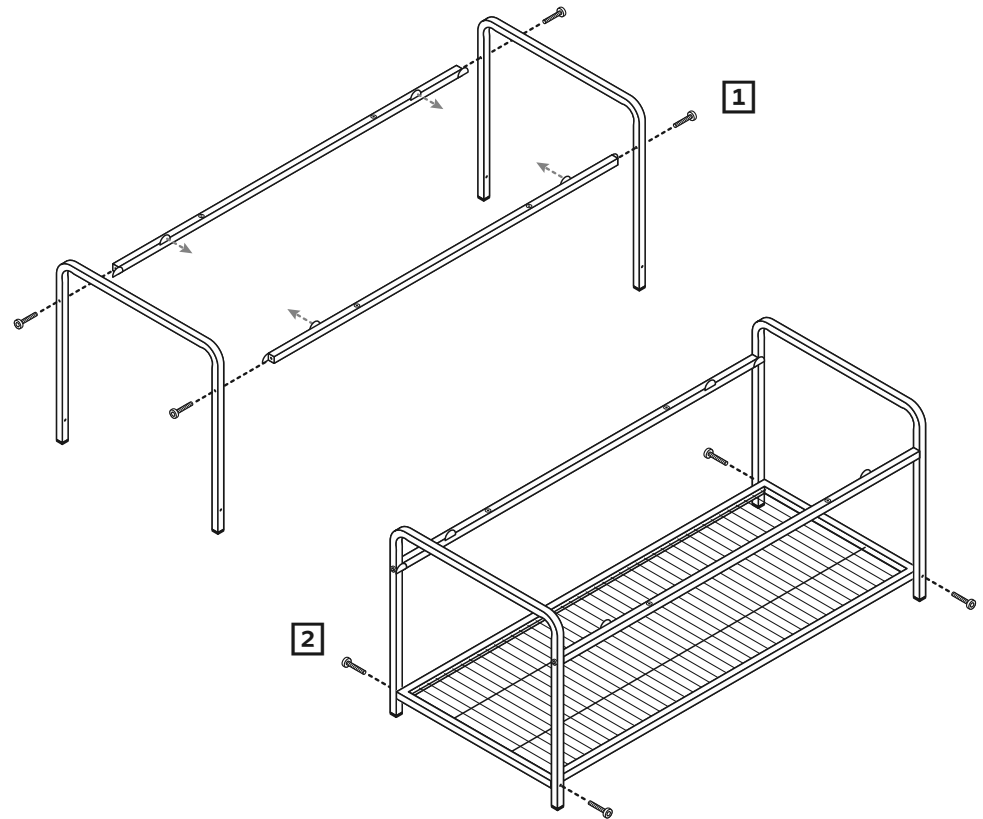
### CAGE PARTS (three sets)



**1** PIECES

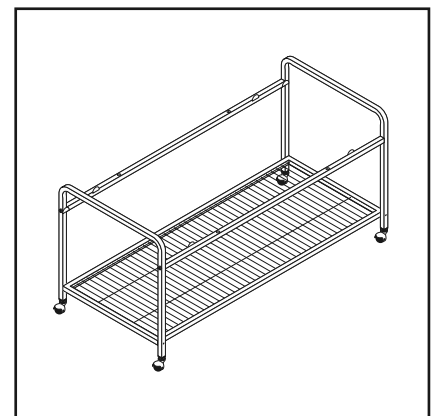
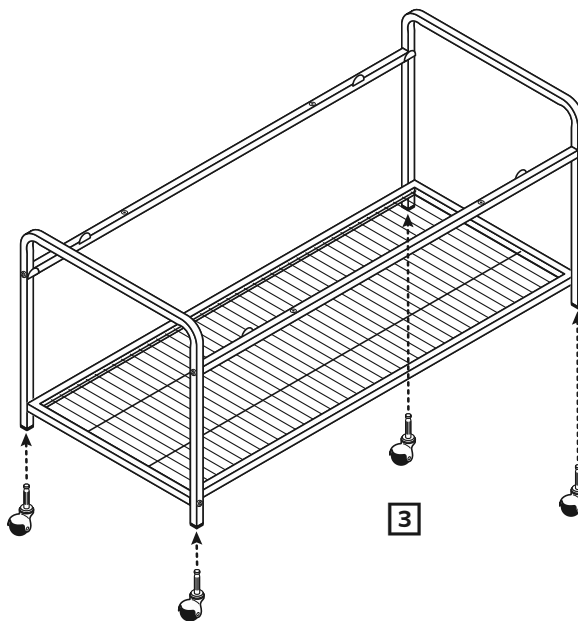


**Build the stand**

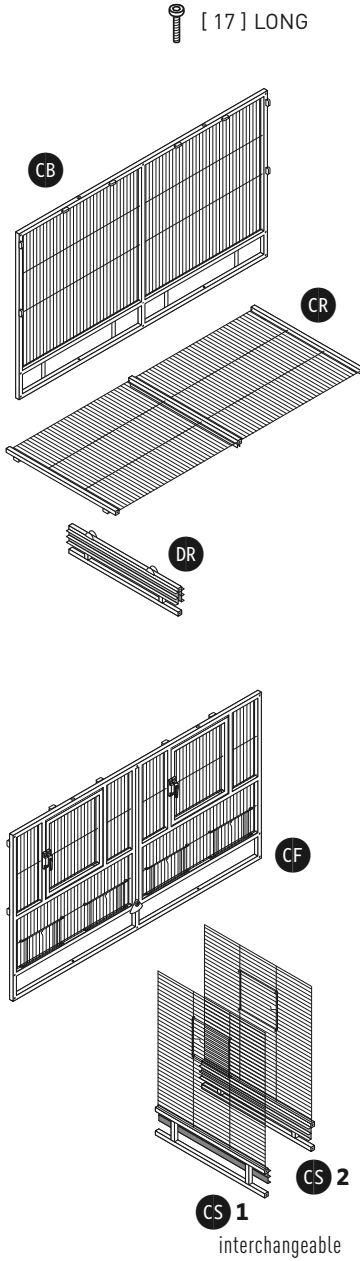


- 1** Attach the **stand frame rails** to the **stand legs** with the half-round tabs on the interior side.
- 2** Attach the **shelf** to the stand legs. Tighten all screws again to create a stable base.
- 3** Fully insert **casters** into the stand legs.

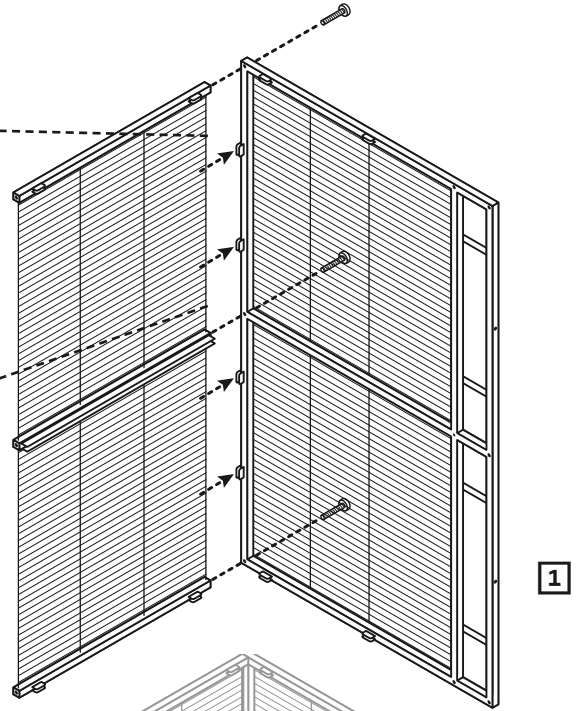
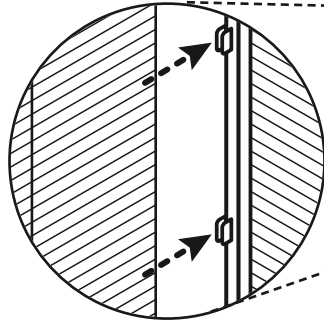
Set stand unit aside.



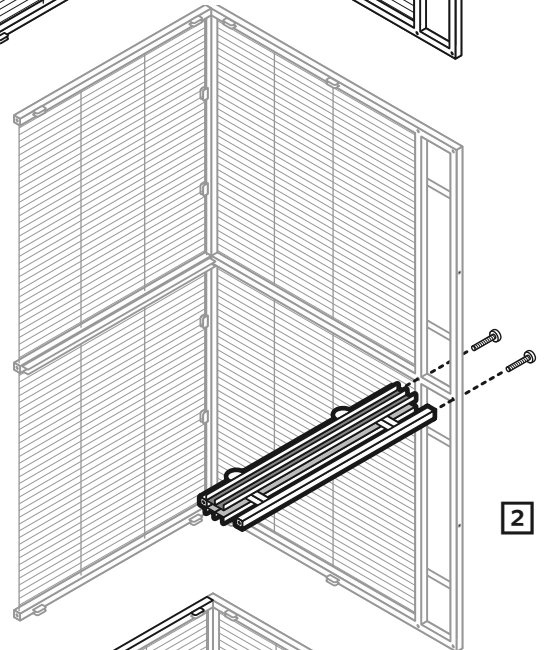
# 2 PIECES



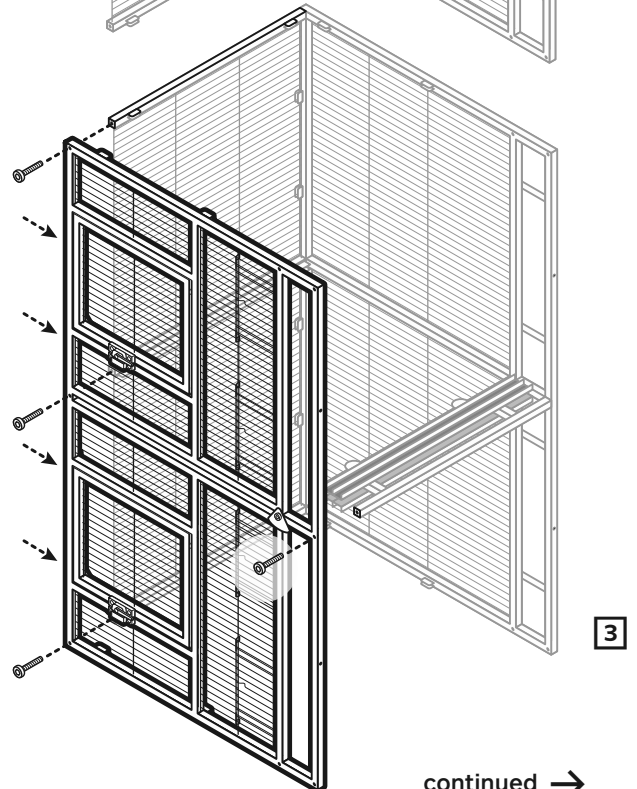
## Build the three cage units



- 1 Stand the **back panel** on-end. Center the **roof panel** within the brackets and attach to the back panel with the long screws.



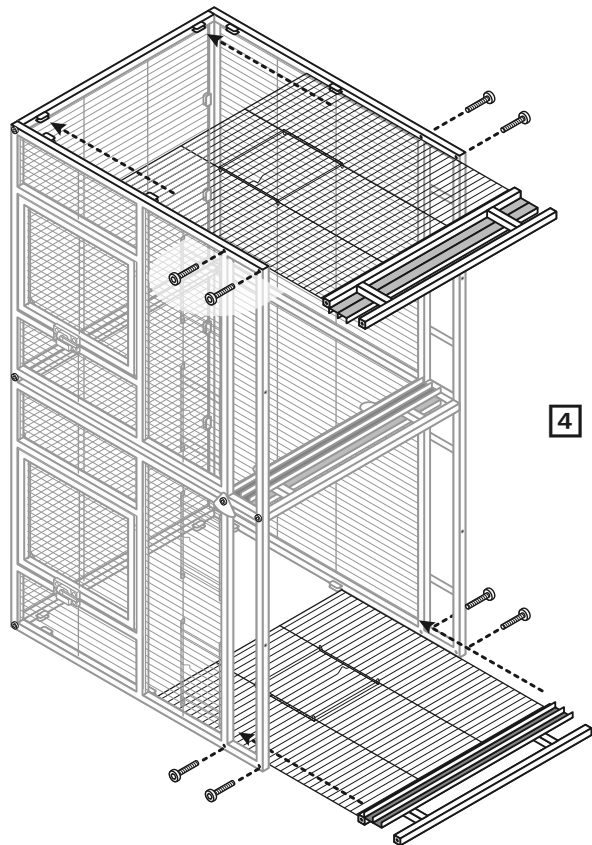
- 2 Attach the **divider rail** to the back panel with long screws.



- 3 Center the brackets on the **front panel** with the roof and attach to the roof panel with long screws.

continued →

# 2 continued



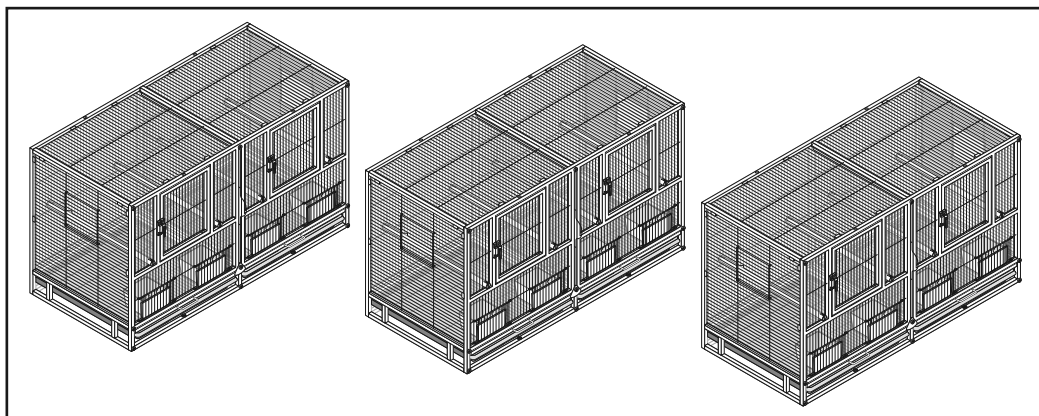
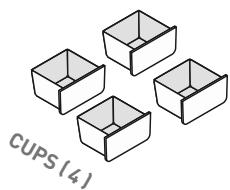
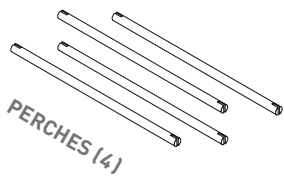
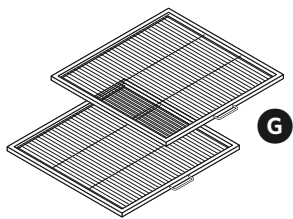
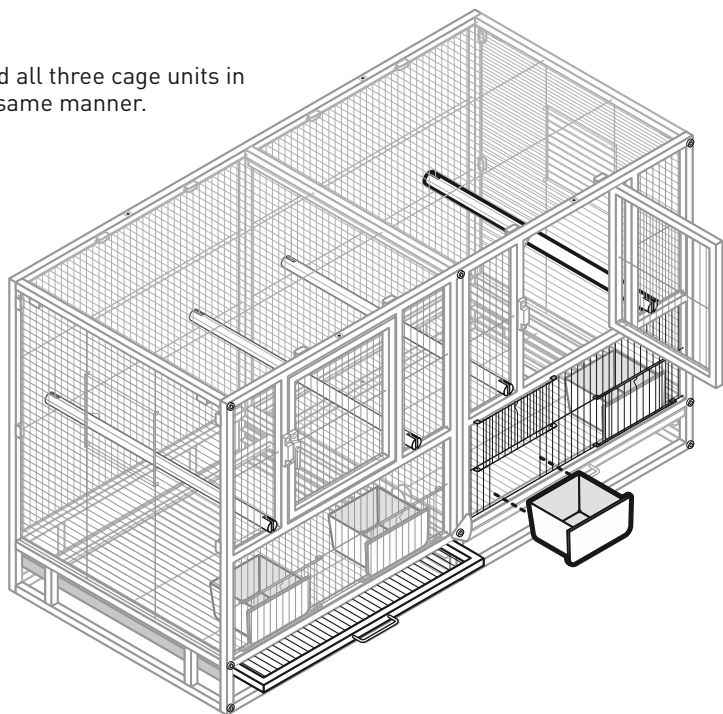
**4** Slide the side panels up through the brackets, along the sides and at the top. Attach the panel to the front and back with long screws.

**5** Slide the grilles in the tracks.

Open cup doors and add the cups.

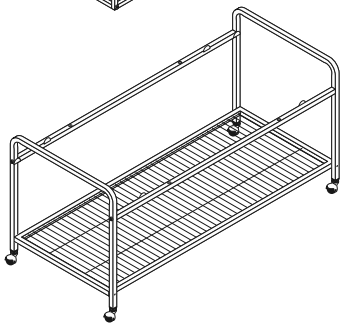
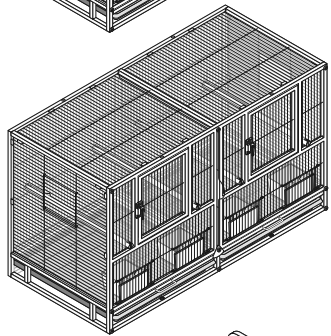
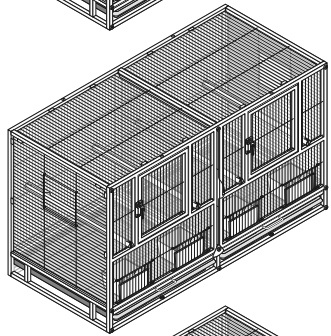
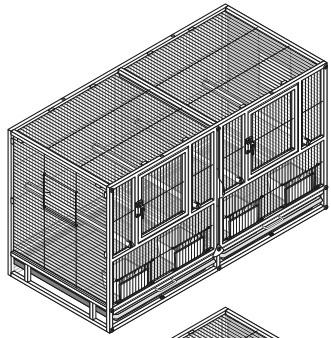
Open the main doors and add the perches.

Build all three cage units in the same manner.

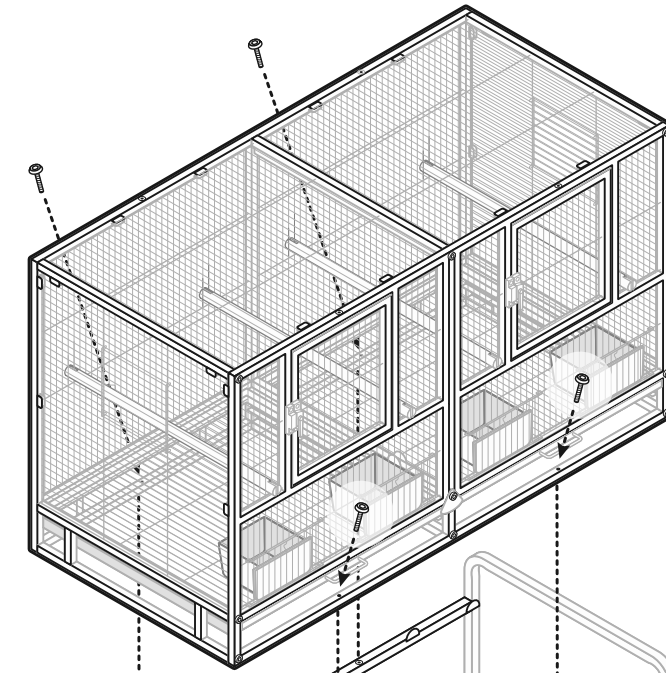


# 3 PIECES

[ 12 ] SHORT

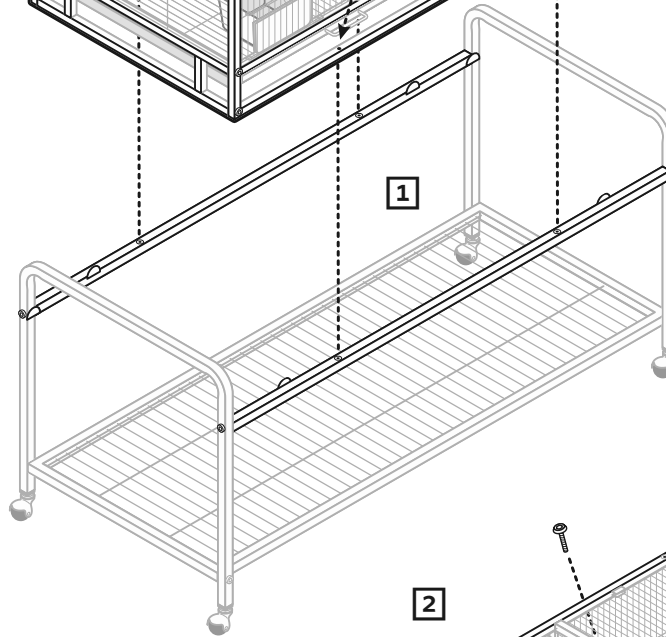


Assembled cage bodies and stand



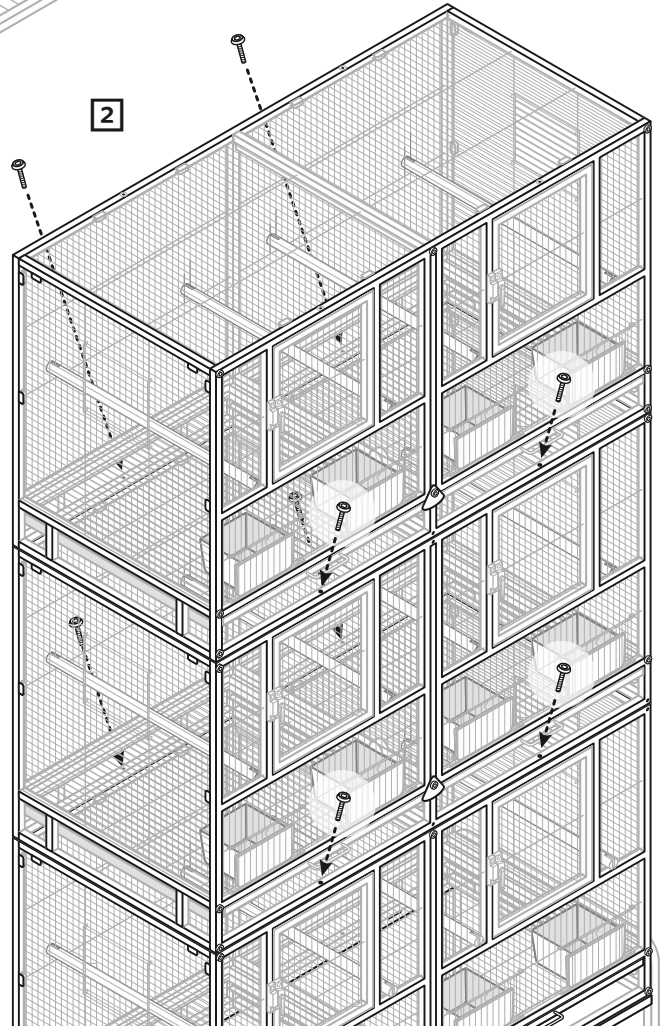
1

1 Center a cage unit on the stand and attach it to the stand frame with short screws.

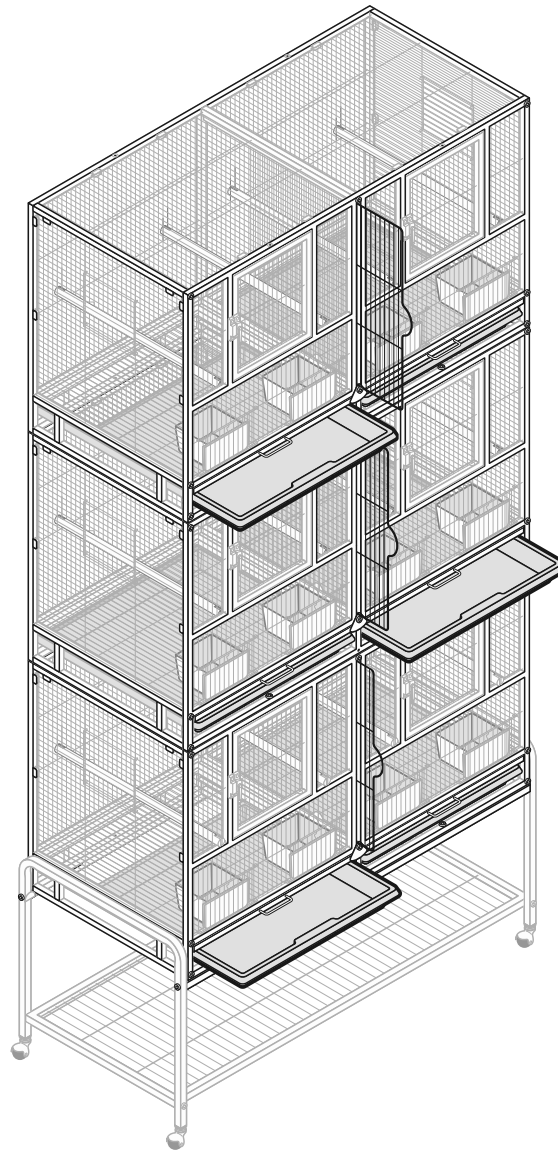
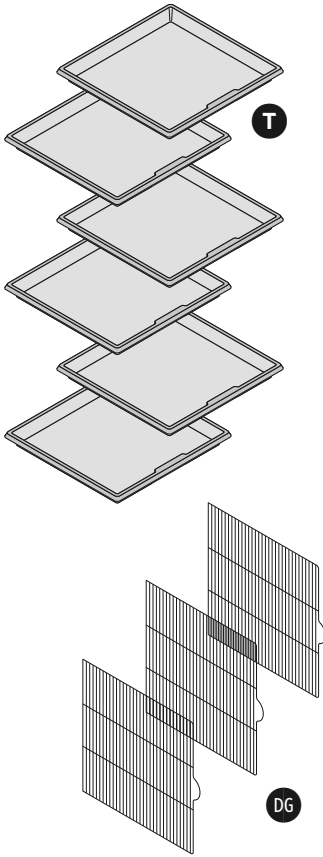


2

2 Continue stacking cage units and attaching together with short screws.

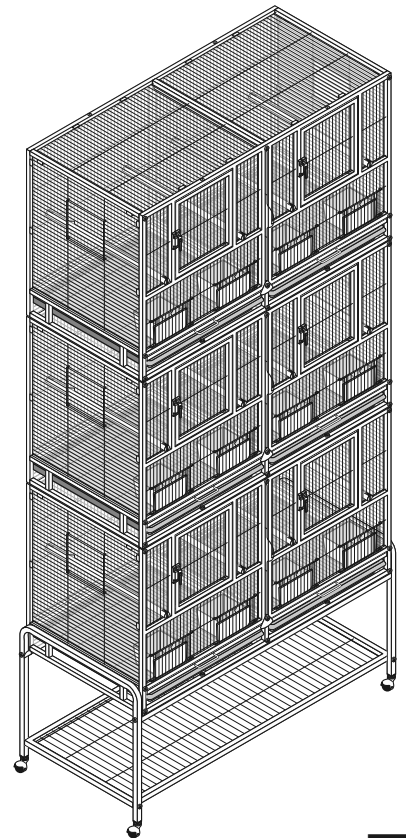


# 4 PIECES



Finish assembly by adding all debris trays and divider grilles.

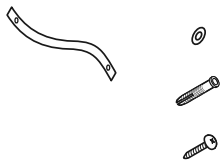
Review all screws over the entire cage to make sure they're snug.



Assembly completed. ■



# 5 PIECES



## Secure your cage stack

- 1 On the upper-most cage, remove the top-center screw. Add a washer, and the support strap, and re-attach screw.
- 2 Drill a small starter hole in the wall, and insert the screw anchor.

On the wall screw, add a washer and the the other end of the support strap. Screw into the wall anchor.

