

KEY:

- C = Cage panels
- S = Stand pieces
- B = Base
- G = Grille
- T = Tray

***** These parts are interchangeable:

- S** L = **S** R
- S** B = **S** F
- C** LR = **C** RR

 **Washer**
4 pieces

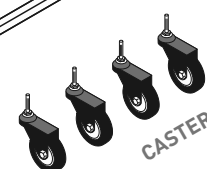
 **Long Hex Screw**
12 pieces

 **Medium-length Hex Screw**
8 pieces

 **Short Hex Screw**
6 pieces

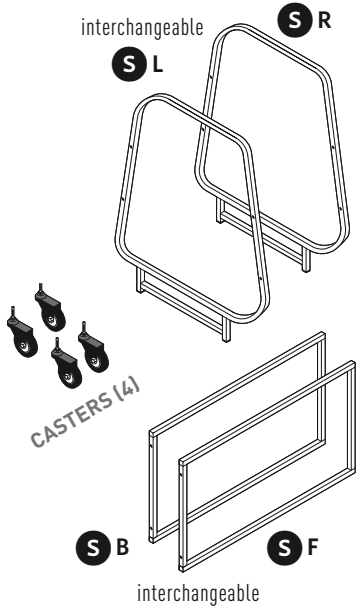
 **Cup Door Knob**
3 pieces

Hex Key is included

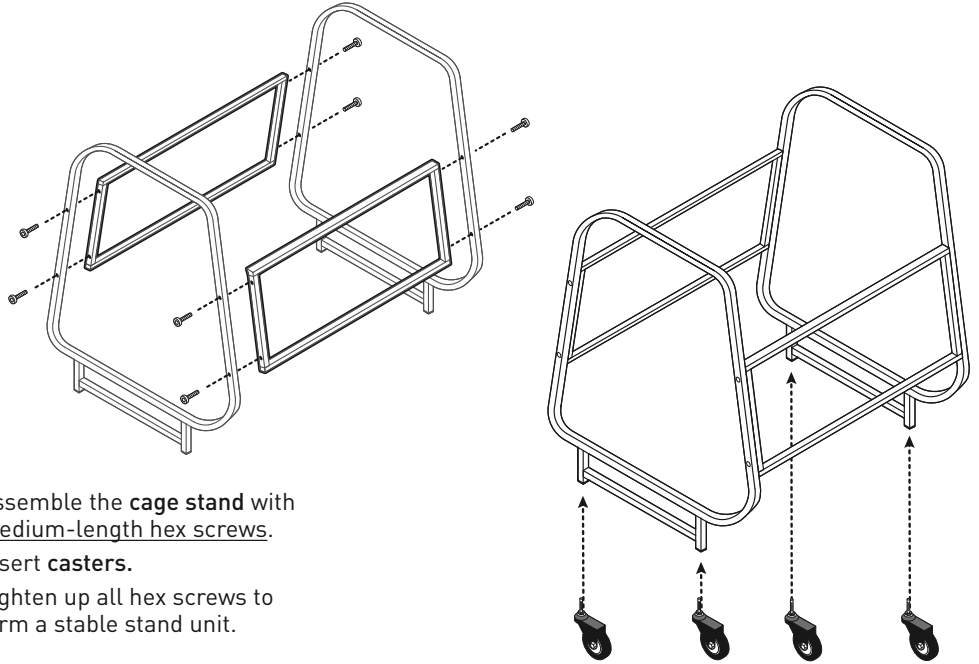
 **CASTERS (4)**

1 PIECES

⌚ [8] MEDIUM LENGTH



* PLEASE NOTE: Select all eight medium-length hex screws out of the bag for stand assembly. Long hex screws, if used, will be too long, and could bend the frame, if forced.

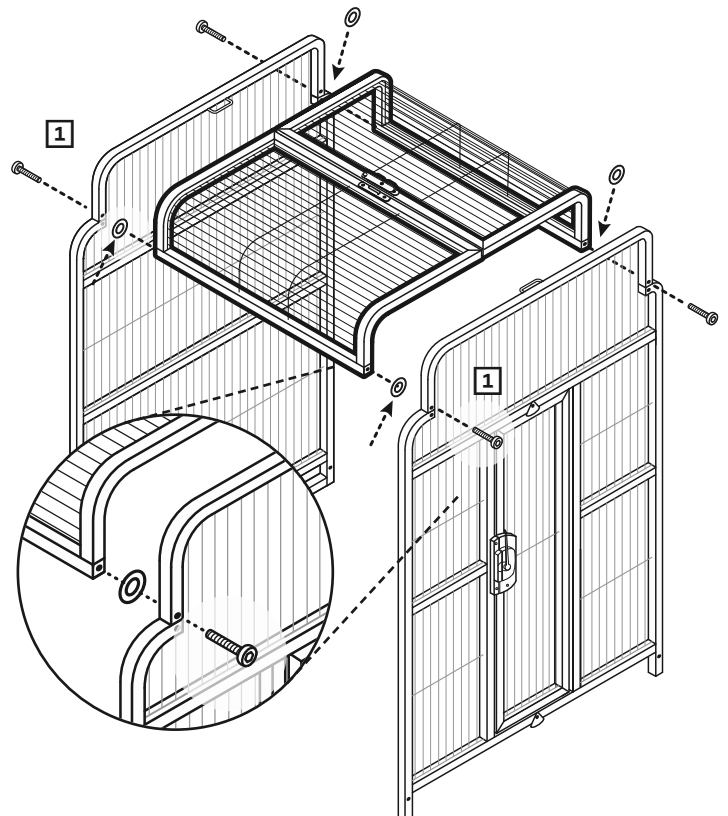
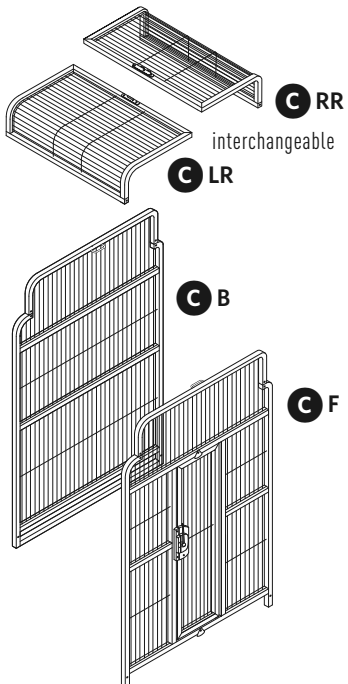


Assemble the cage stand with medium-length hex screws. Insert casters. Tighten up all hex screws to form a stable stand unit.

2 PIECES

⌚ [4] LONG

⊙ [4]



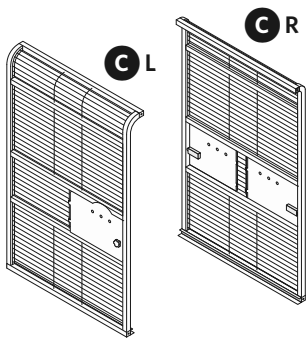
Insert a long hex screw in the top hole. On the exposed end, add a washer, and then hand-tighten the screw loosely into the roof panel.

Very loose assembly is best, so that side panels can be added in the next step.

Assemble one roof panel first **1**, then finish with the other.

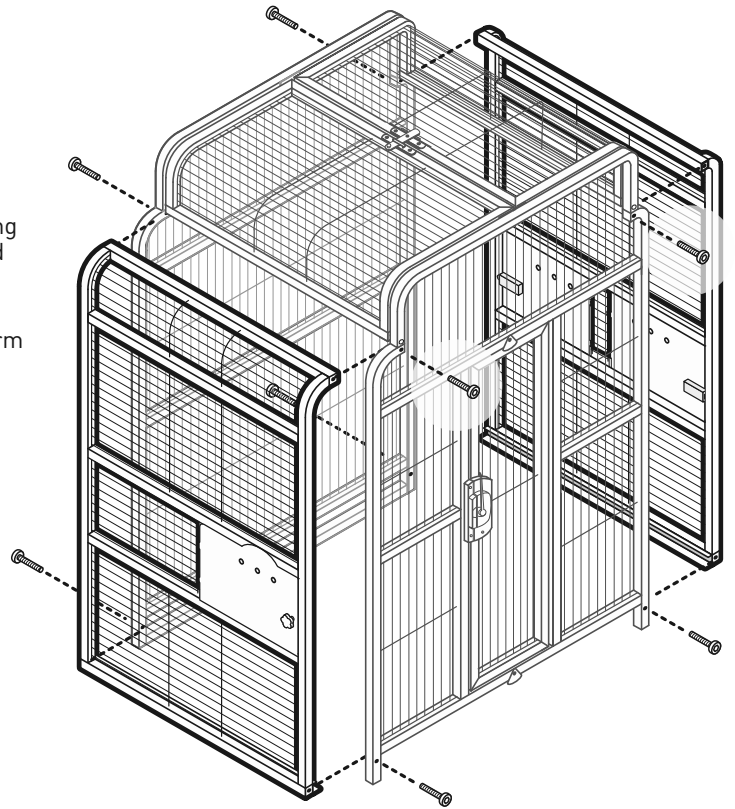
2 continued

[8] LONG

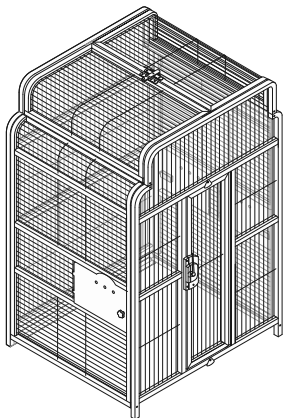
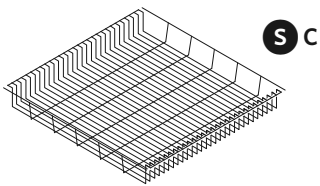
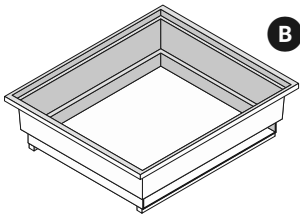


Attach the left and right side cage panels with long hex screws in the top and bottom corners.

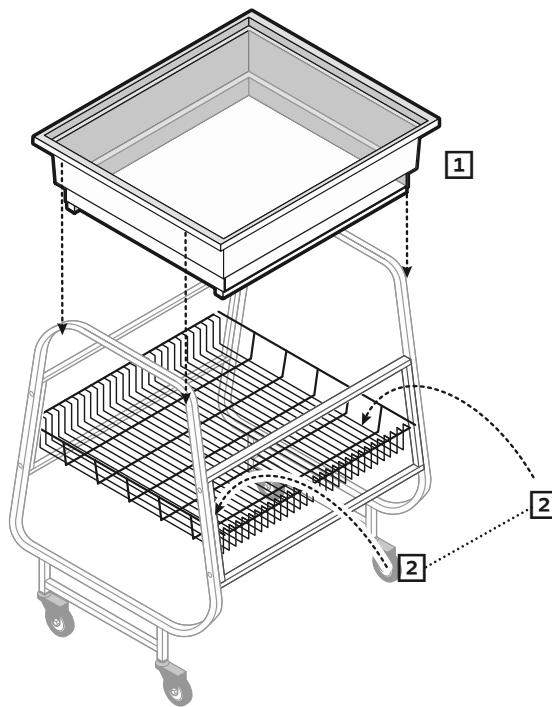
Tighten up all hex screws over the entire cage to form a secure and stable cage unit.



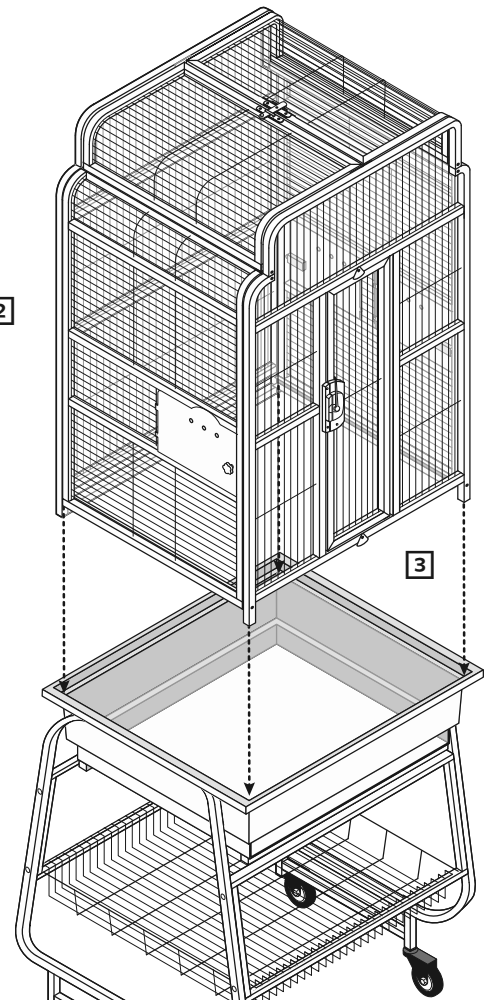
3 PIECES



Assembled cage body



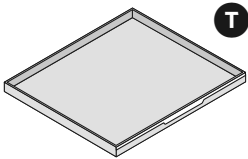
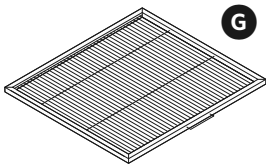
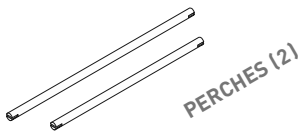
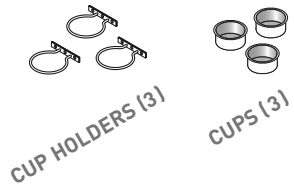
- 1 Set the base over the stand unit.
- 2 Add the storage basket down in the center of the stand frame.
- 3 Set the assembled cage body into the base.



4 PIECES

☛ [6] SHORT

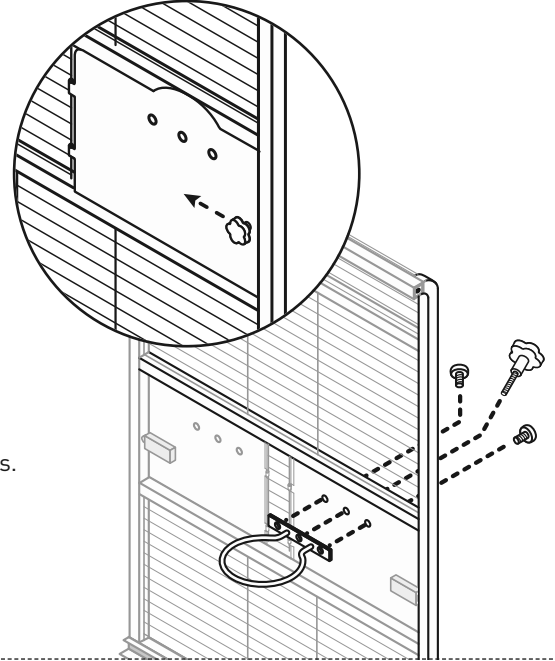
☛ [3] KNOBS



CUP DOORS:

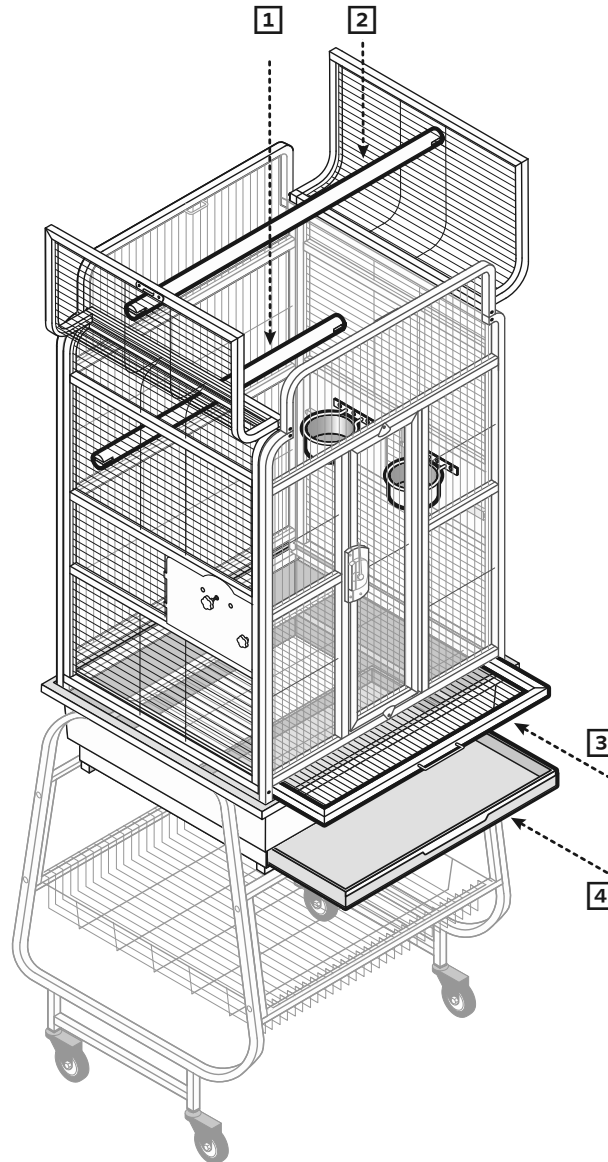
TO OPEN: Twist knob counter-clockwise a few turns to loosen (*do not loosen too far — knob will fall out!*) and slide knob left to pull the door open or to close.

When closed, turn the knob clockwise a few turns to lock in place.

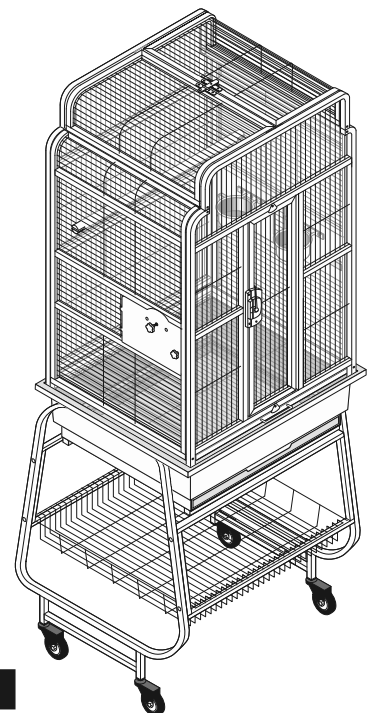


Open cup doors and install **cup holders**.

Place small hex screws in the outside holes. Put a cup in the holder and tighten the **cup holder knob** in the middle hole (this locks the cup in place).



- 1** Add the **short perch** into the cage interior.
- 2** **OPTIONAL:** Open the roof top panels and insert the **long perch** to create the playtop area.
- 3** Rotate the windbell lock and insert the **floor grille** into the channels.
- 4** If the **tray** was separate from the base, add it now.



Assembly completed. ■

