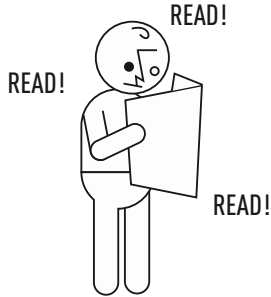


# Follow this flight path

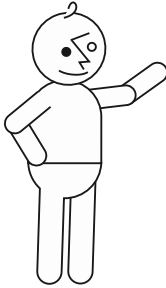
**1**



## READ THESE INSTRUCTIONS!

These assembly steps have been compiled to lead you to a successful assembly. If you still have questions, please call our Prevue Customer Service line at (312) 243-3624.

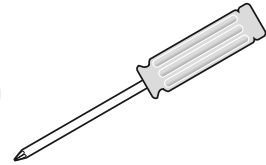
**2**



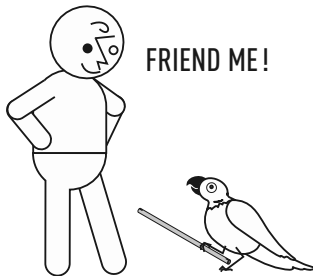
## HELPFUL TOOLS

The entire cage can be assembled with a **phillips-head screw driver**, which is not included.

NEEDED



**3**



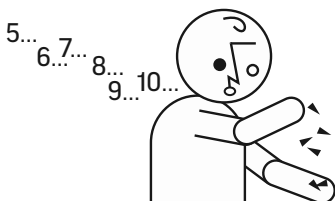
## FIND A FRIEND

A second person's assistance is a necessity during several stages of assembly. Look for this symbol:



**4**

EASY AS 1-2-3!



## REVIEW ALL PARTS & HARDWARE

After unpacking all components, review all the parts against these instructions. All screws are in place on cage frames and components, and will need to be removed before attaching panels and components. Extra/spare screws have been included separately.

Please contact Prevue if any problems or issues arise.

# 5



## CARE FOR BIRDS

### CAGE PLACEMENT

Birds are sensitive to environmental conditions like heat, cold, drafts, and fumes. As you establish the location of your cage, make sure it is removed from areas with strong odors and fumes, like those found around plug-in air fresheners, kitchens, and gas appliances. Keep cages out of cold and drafty areas like floor and wall vents and air conditioner vents. Also keep the cage removed from heat sources like furnaces, fireplaces, or kitchen appliances. Avoid areas with harsh or direct sunlight.

### ACTIVITY TOYS

Birds rely on toys to stay physically and mentally stimulated and reduce boredom and destructive behavior. Prevue offers a wide range of toys under two types and four activity categories.

**Playfuls™** include toys with bird-safe shapes, colors, textures, and materials. **Naturals™** are constructed from all-natural, sterilized, sustainable fibers, ropes, hardwoods, sea shells, and other materials found in nature.

Four categories of activity toys within each toy type are designed to satisfy the instinctual behaviors of birds:

- **Physical & Mental:** Designed to provide exercise for the body and the mind, with elements to engage birds in problem-solving, manipulation, chewing, and balancing.
- **Sound & Movement:** Designed for aural and visual stimulation, with elements that are free-moving, noise-creating, reflective and bouncy.
- **Preen & Pacify:** Designed to function as stress-reducers, with a variety of materials and textures that engage birds in calming, comforting activity.
- **Forage & Engage:** Designed to satisfy a bird's instinctive need to search, root, uncover, extract, collect, and nest. Many toys may be filled with treats or replenished with fibers.

### TOY TIPS

- To keep birds engaged with their toys, introduce new and familiar toys into the cage environment on a monthly basis.
- Do not over-crowd the cage environment.
- For new toys, supervise birds at play and observe their behavior.
- Periodically inspect toys and accessories for replenishment of fibers, or replacement when worn or destroyed.

Check out all our toys at: [prevuepet.com](http://prevuepet.com)

### ACCESSORIES

We offer many accessories to promote your bird's well-being and upgrade the cage environment:

- Variable-shape perches for foot health
- Cage covers to quiet and calm birds at night
- Cuttlebones & mineral blocks for beak & nail grooming
- Playgrounds and playstands

More accessories can be found at: [prevuepet.com](http://prevuepet.com)

Selected replacement parts may be available. For inquiries, please contact Prevue customer service at:

[customerservice@prevuepet.com](mailto:customerservice@prevuepet.com)

### TRAVEL CARRIERS

Always keep an appropriate-size travel carrier on hand for emergencies, travel or temporary housing when cleaning cages. Prevue offers several carrier styles — from backpack to soft case to durable steel. Visit: [prevuepet.com](http://prevuepet.com)

### CONTACT RESOURCES FOR PREVUE PET PRODUCTS

**EMAIL** [customerservice@prevuepet.com](mailto:customerservice@prevuepet.com)

**ONLINE** [prevuepet.com](http://prevuepet.com)

**PHONE** (312) 243-3624

**SOCIAL**    





# Imperial XXL Stainless Steel Cage PARTS LIST

Instructions online at [prevuepet.com](http://prevuepet.com)

## CUSTOMER SUPPORT

Please contact Prevue Pet Products:

**PHONE** (312) 243-3624

**ONLINE** [prevuepet.com](http://prevuepet.com)

**EMAIL**

[customerservice@prevuepet.com](mailto:customerservice@prevuepet.com)

## KEY:

RT = Roof Top

L = Left Side Panels

F = Front Panels

R = Right Side Panels

B = Back Panels

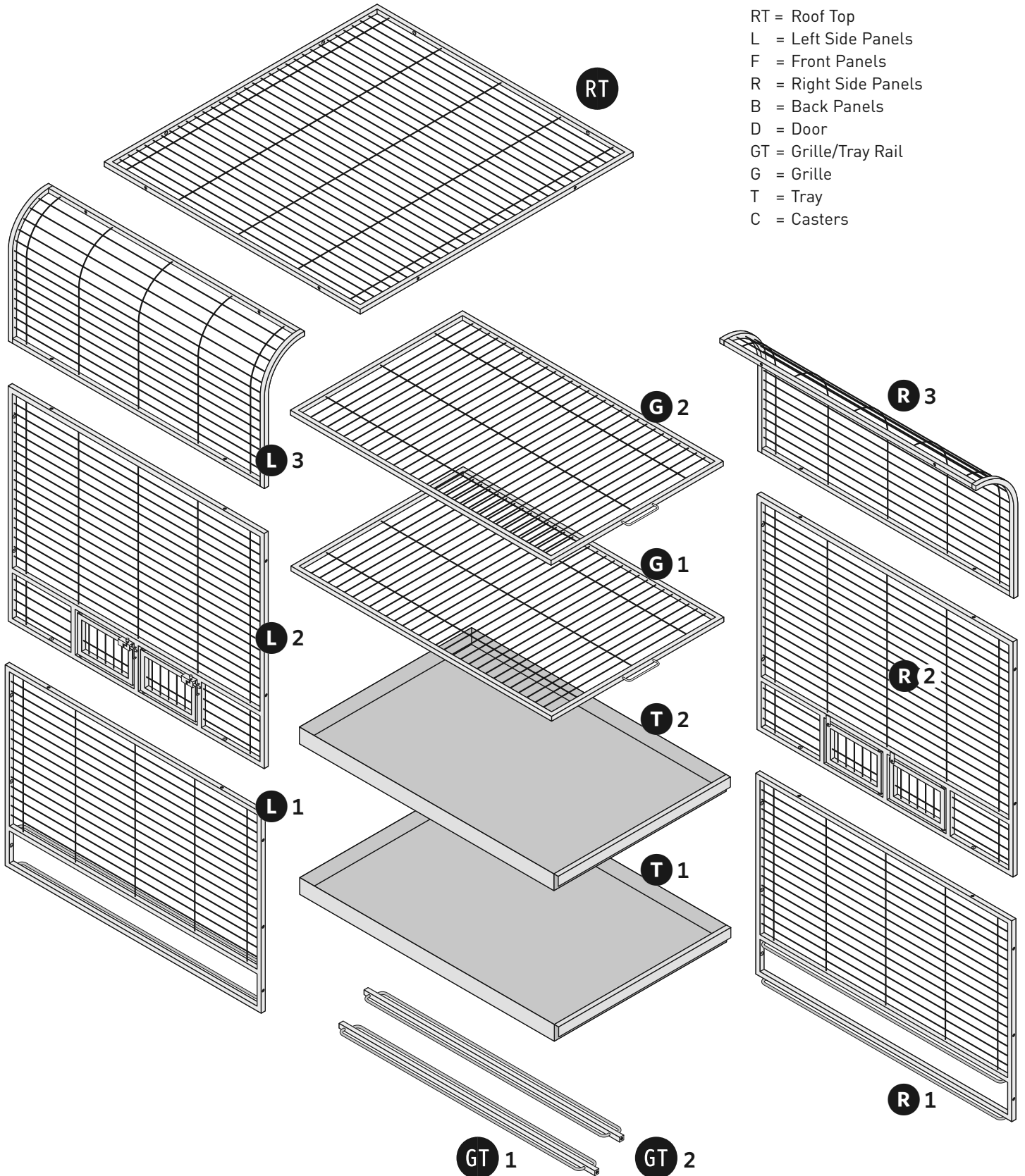
D = Door

GT = Grille/Tray Rail

G = Grille

T = Tray

C = Casters





# Imperial XXL Stainless Steel Cage PARTS LIST

Instructions online at [prevuepet.com](http://prevuepet.com)

## CUSTOMER SUPPORT

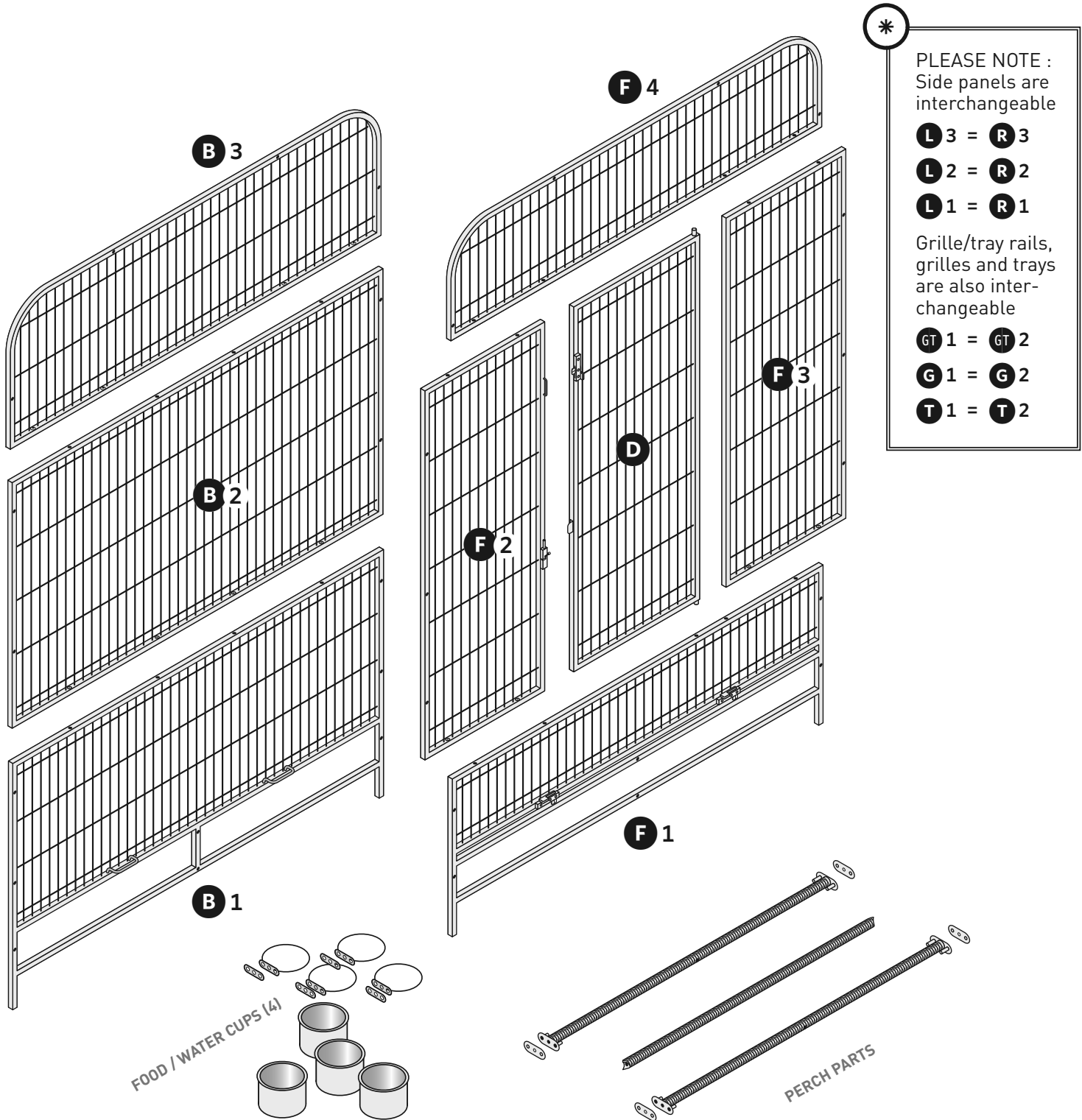
Please contact Prevue Pet Products:

**PHONE** (312) 243-3624

**ONLINE** [prevuepet.com](http://prevuepet.com)

**EMAIL**

[customerservice@prevuepet.com](mailto:customerservice@prevuepet.com)



\* PLEASE NOTE :  
Side panels are interchangeable

**L 3 = R 3**  
**L 2 = R 2**  
**L 1 = R 1**

Grille/tray rails, grilles and trays are also interchangeable

**GT 1 = GT 2**  
**G 1 = G 2**  
**T 1 = T 2**

### HARDWARE INCLUDED :

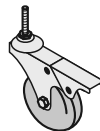
**Long Screws**  
1/4" x 13/16"  
58 pcs + 5



**Short Screws**  
3/16" x 13/16"  
16 pcs + 2

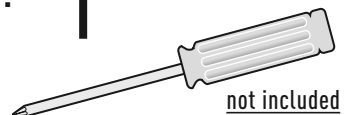


**Caster**  
4 pieces



### TOOL REQUIRED :

**Phillips-head screwdriver or drill**



not included



# Imperial XXL Stainless Steel Cage ASSEMBLY

Instructions online at [prevuepet.com](http://prevuepet.com)

## CUSTOMER SUPPORT

Please contact Prevue Pet Products:

**PHONE** (312) 243-3624

**ONLINE** [prevuepet.com](http://prevuepet.com)

**EMAIL**

[customerservice@prevuepet.com](mailto:customerservice@prevuepet.com)

TOOLS NEEDED : Phillips-head screwdriver • For best results, follow Assembly Steps in order presented.

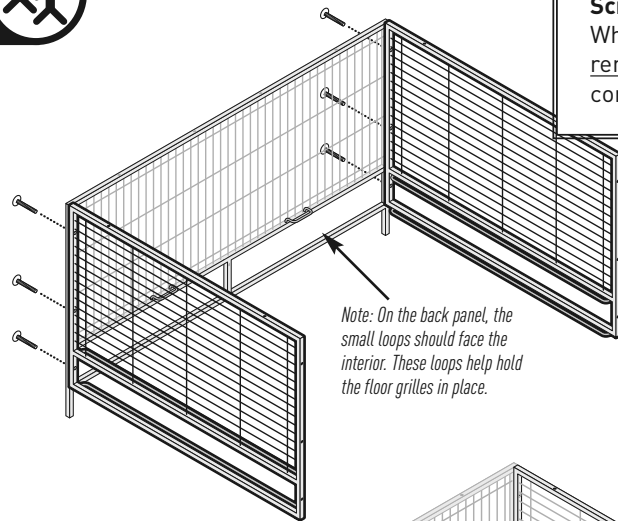
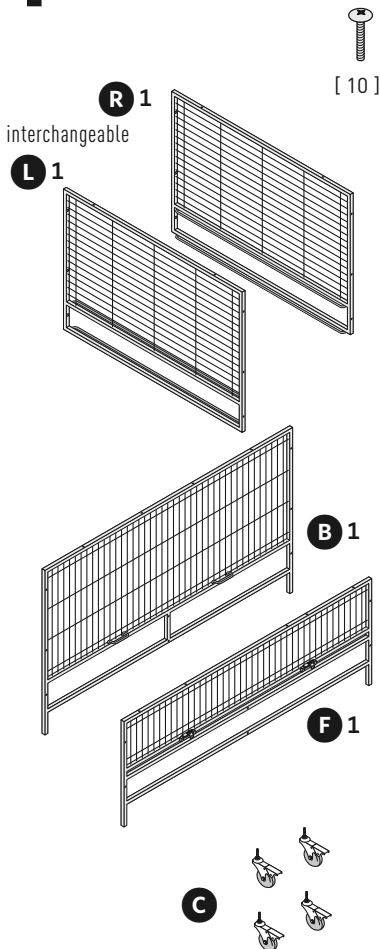
\* In most cases, we recommend two people assemble this cage.



\* **Screws are installed in place.**  
When attaching panels or components, remove the screws, match up the components, and reinsert to attach.

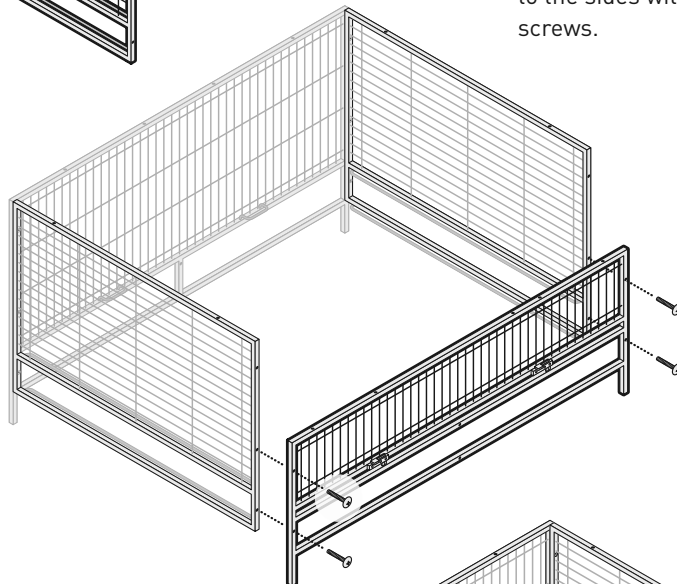
- KEY:**
- F = Front Panels
  - B = Back Panels
  - L = Left Side Panels
  - R = Right Side Panels
  - RT = Roof Top
  - D = Door
  - GT = Grill/Tray Rail
  - G = Grille
  - T = Tray

## 1 PIECES



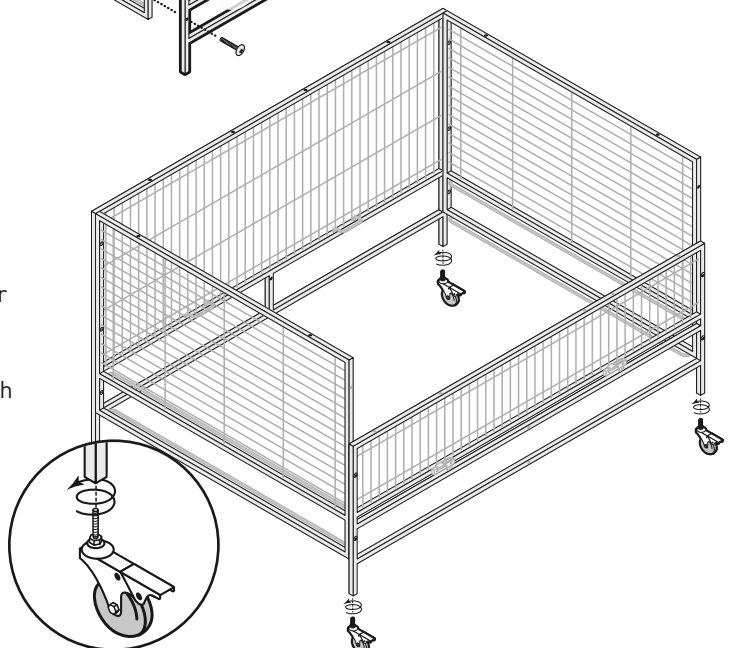
Remove all the Phillips-head screws from the **lower side panels**. Align the **lower back panel** with the side panels (panels meet flush at the top), and attach together with the removed screws.

Attach the **lower front panel** to the sides with the removed screws.



### Add the lockable rolling casters:

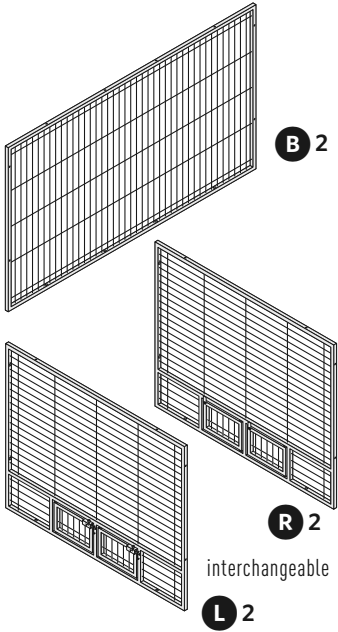
Screw the threaded caster post into each frame leg. If preferred, tighten each caster by the base nut with a slim wrench.



# 2 PIECES



[ 12 ]

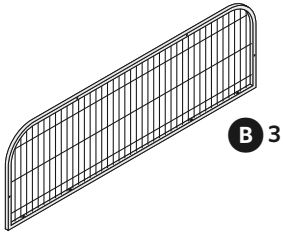


**B** 2

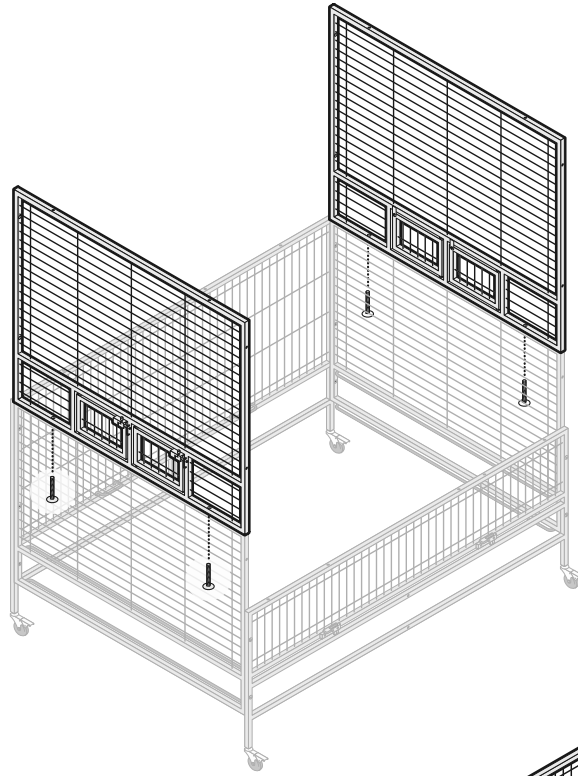
**R** 2

interchangeable

**L** 2



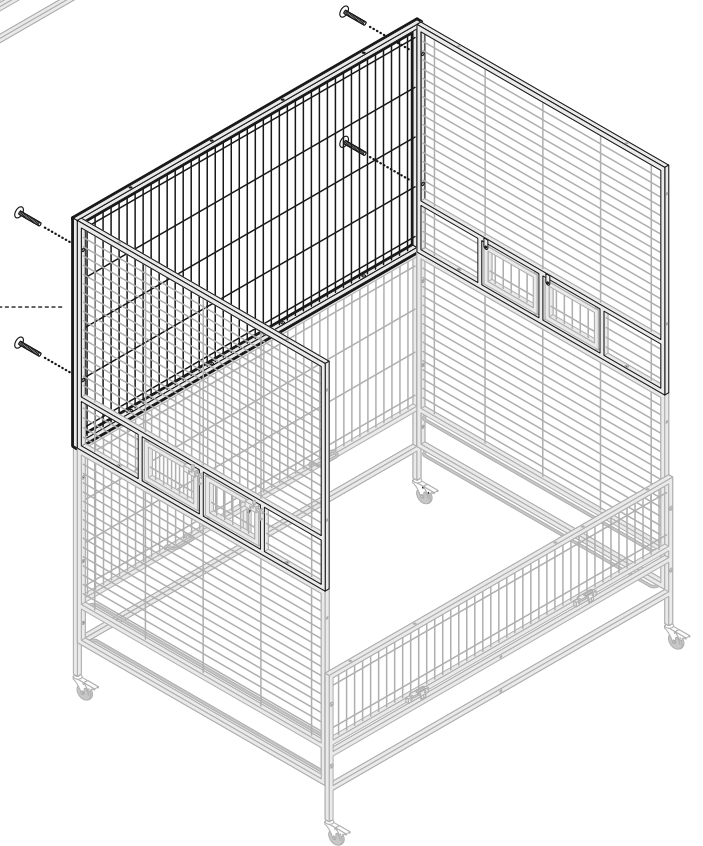
**B** 3



Remove all the Phillips-head screws from the **middle side panels**.

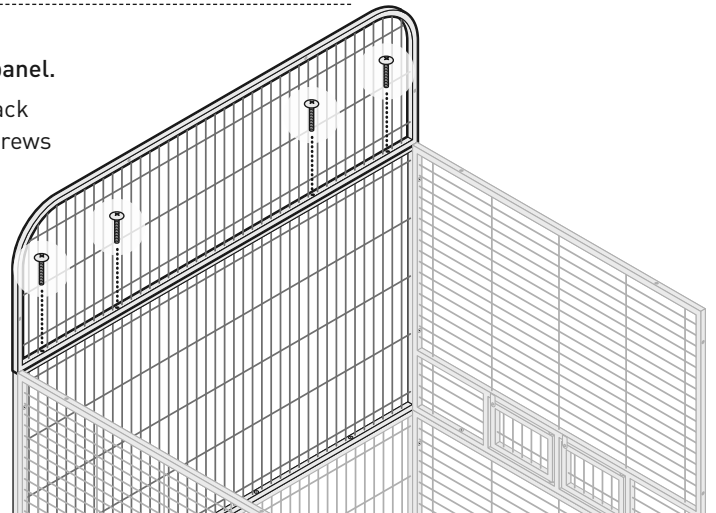
Align the middle and lower side panels together (flush on the front vertical edge). Insert the screws up from the bottom (from the lower side panel, up, into the middle side panel), and attach together.

Attach the **middle back panel** to the sides with the removed screws.

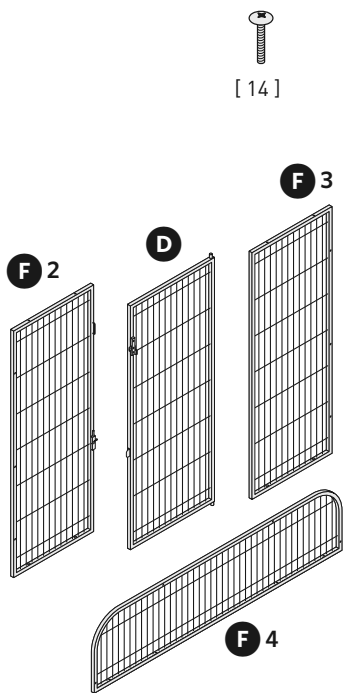


Remove all the Phillips-head screws from the **upper back panel**.

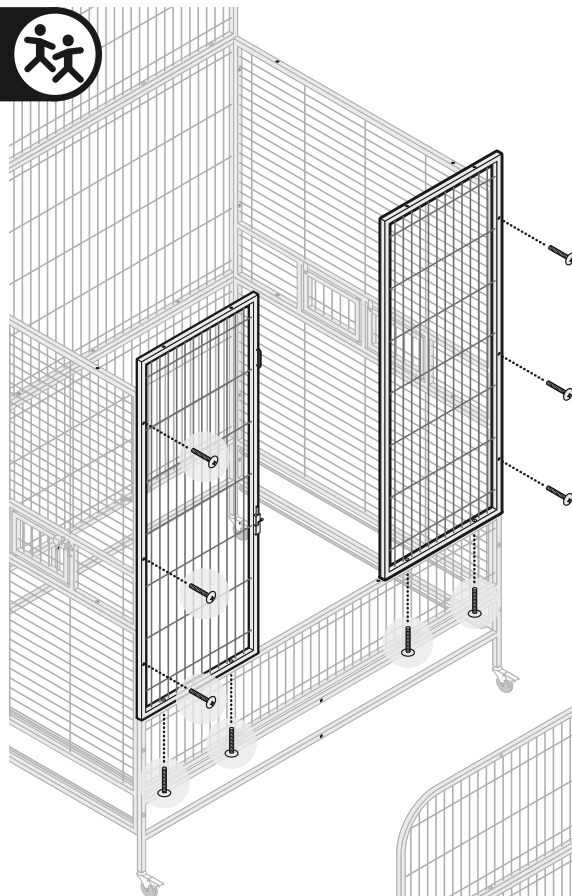
Align the upper and middle back panels together, and insert screws down from the top to attach.



# 3 PIECES



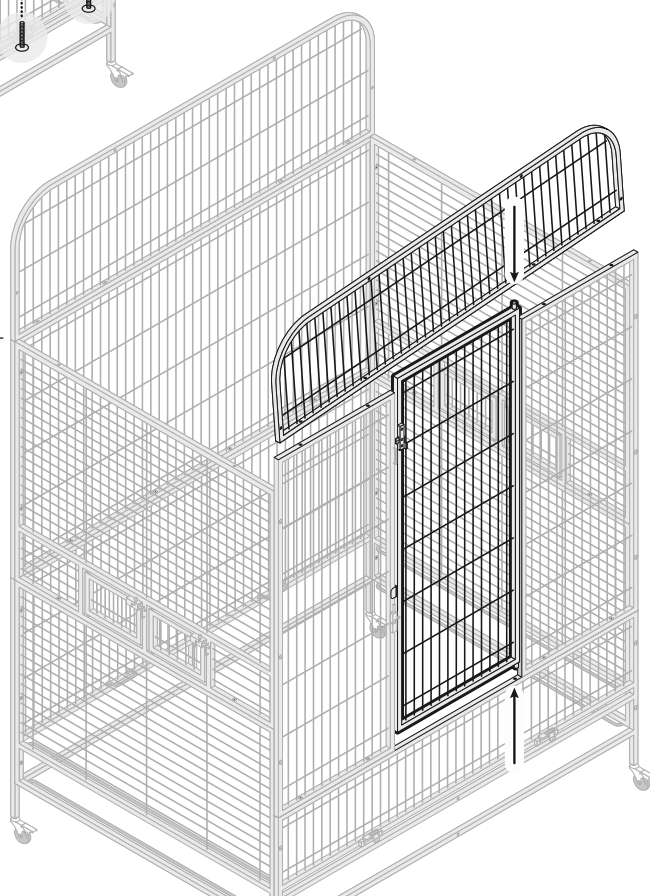
On the lower front panel, remove the screws from the underside of the top frame rail.  
With those screws, and the remainder removed from the side panels, attach the two front panels as illustrated.



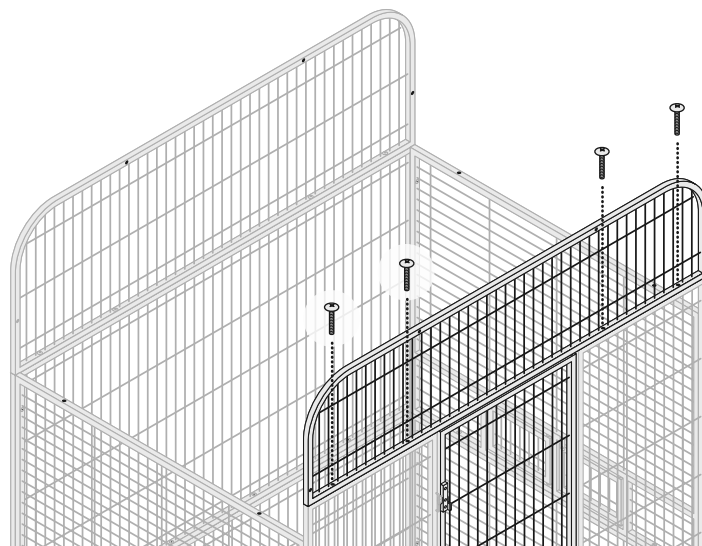
Remove all the Phillips-head screws from the **upper front panel**.

Align the post at the bottom of the **door panel** with the receiving hole, and insert. Close the door and engage both locks to hold the door in place and confirm that everything is lined up.

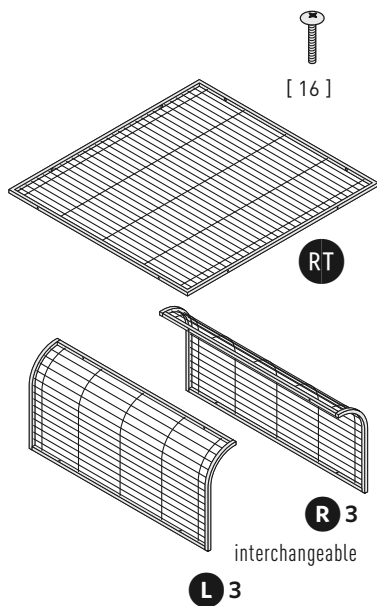
Align the receiving hole on the underside of the **upper front panel** with the post on the front door, and then with the front panels.



Insert screws down from the top, and attach the **upper front panel** with the panels below.

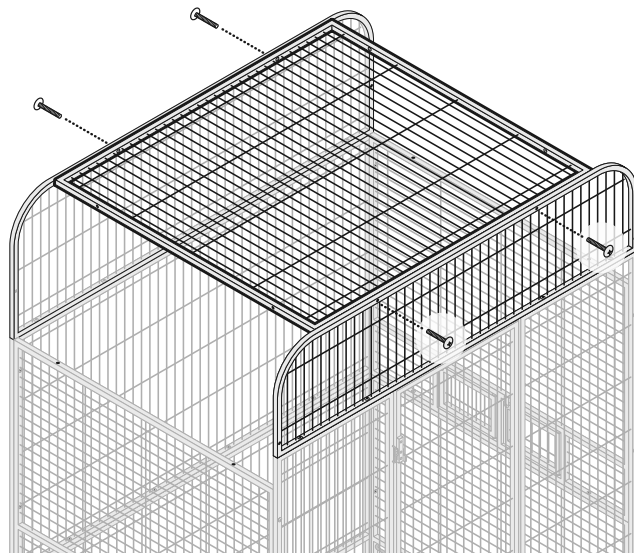


# 4 PIECES

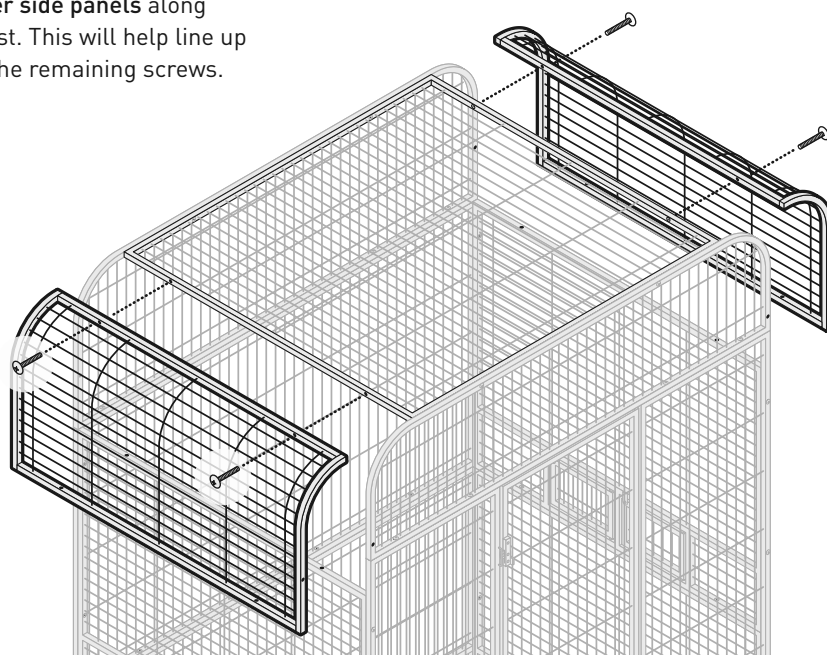


Remove all the screws from the roof top panel.

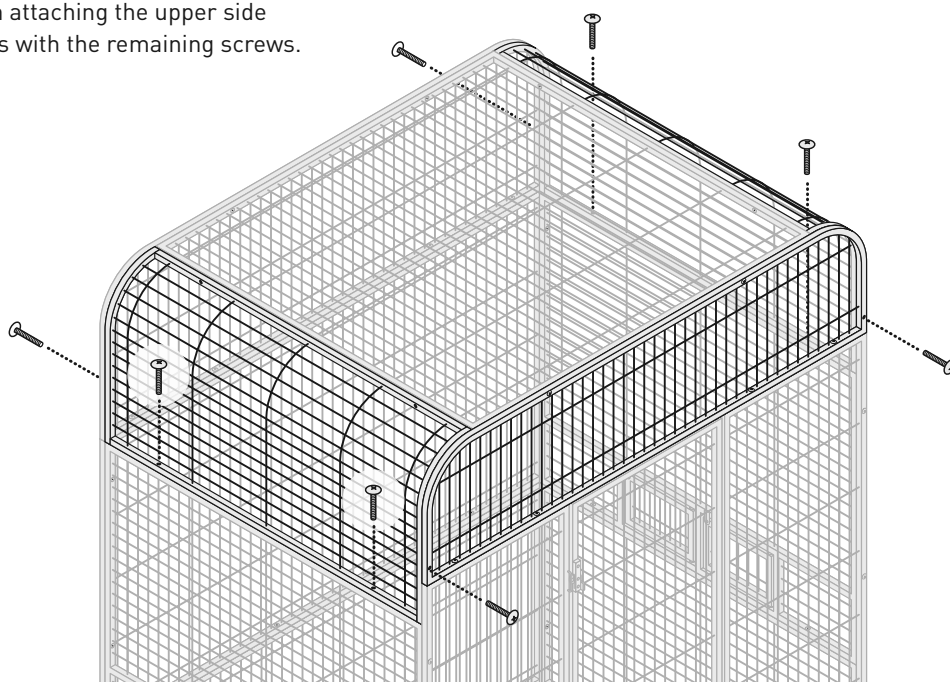
Align the two holes along the front and back edge of the roof panel with the two holes on the upper front and upper back panels, and attach with the removed screws.



Attach the upper side panels along the top edge first. This will help line up the panels for the remaining screws.



Finish attaching the upper side panels with the remaining screws.





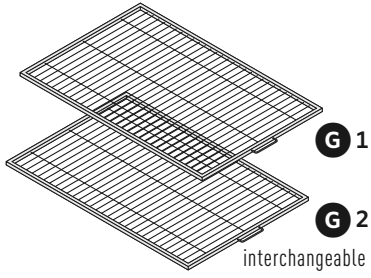
# 5 PIECES



GT 2

interchangeable

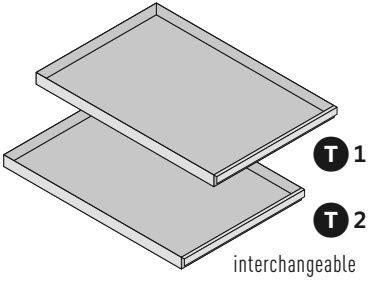
GT 1



G 1

G 2

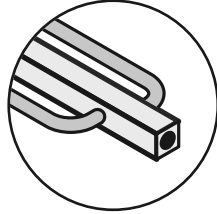
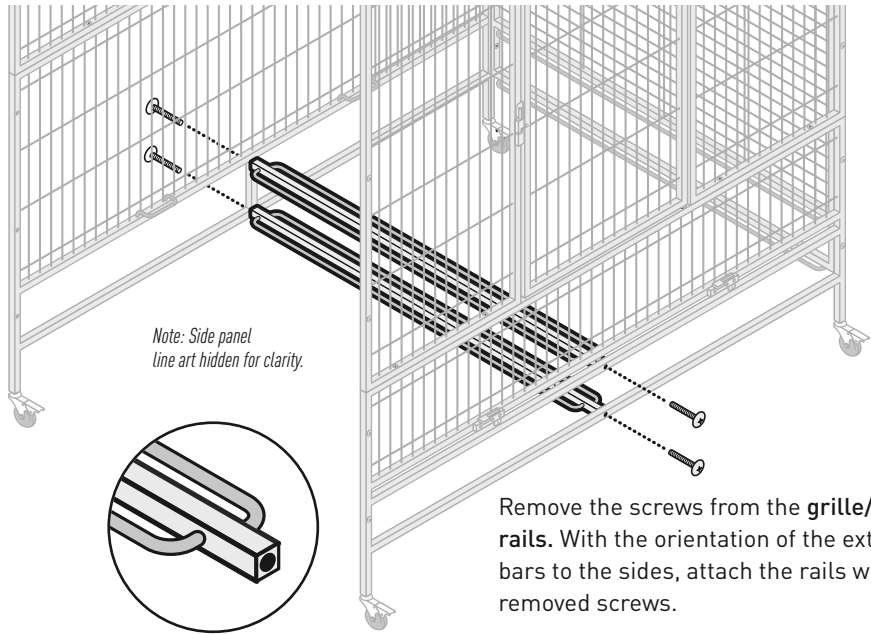
interchangeable



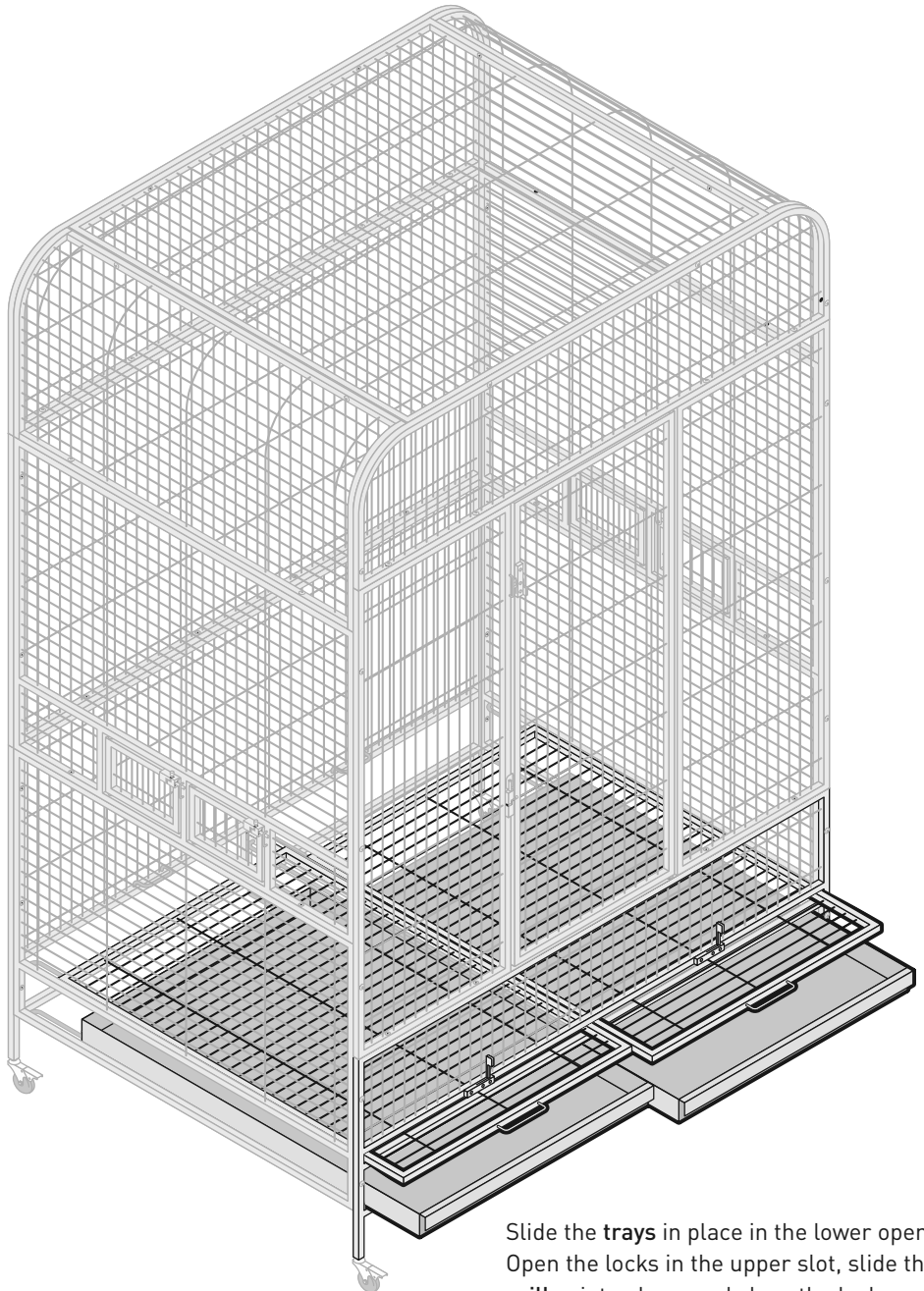
T 1

T 2

interchangeable



Remove the screws from the **grille/tray rails**. With the orientation of the extension bars to the sides, attach the rails with the removed screws.

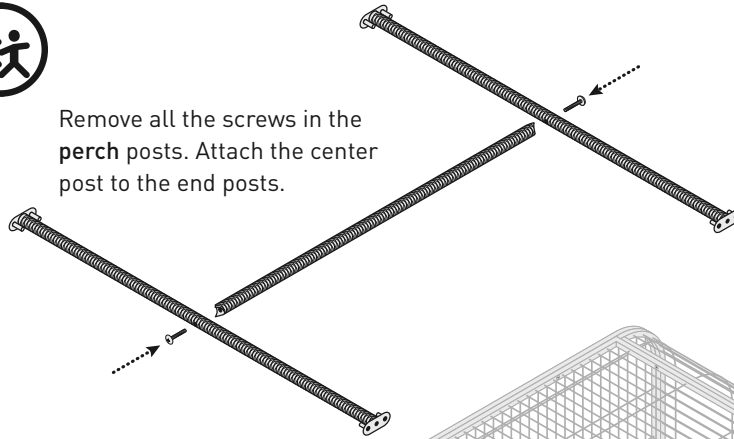


Slide the **trays** in place in the lower opening. Open the locks in the upper slot, slide the **grilles** into place, and close the locks.

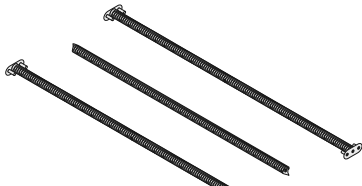
# 6 PIECES



Remove all the screws in the perch posts. Attach the center post to the end posts.



[ 16 ] [ 2 ]

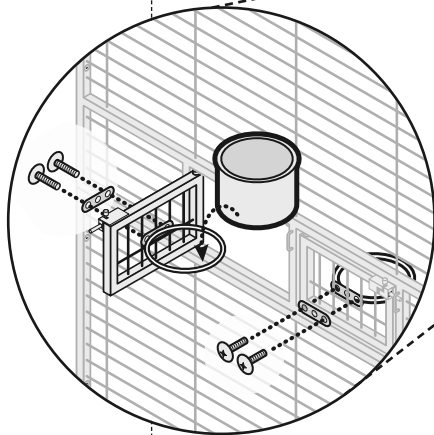
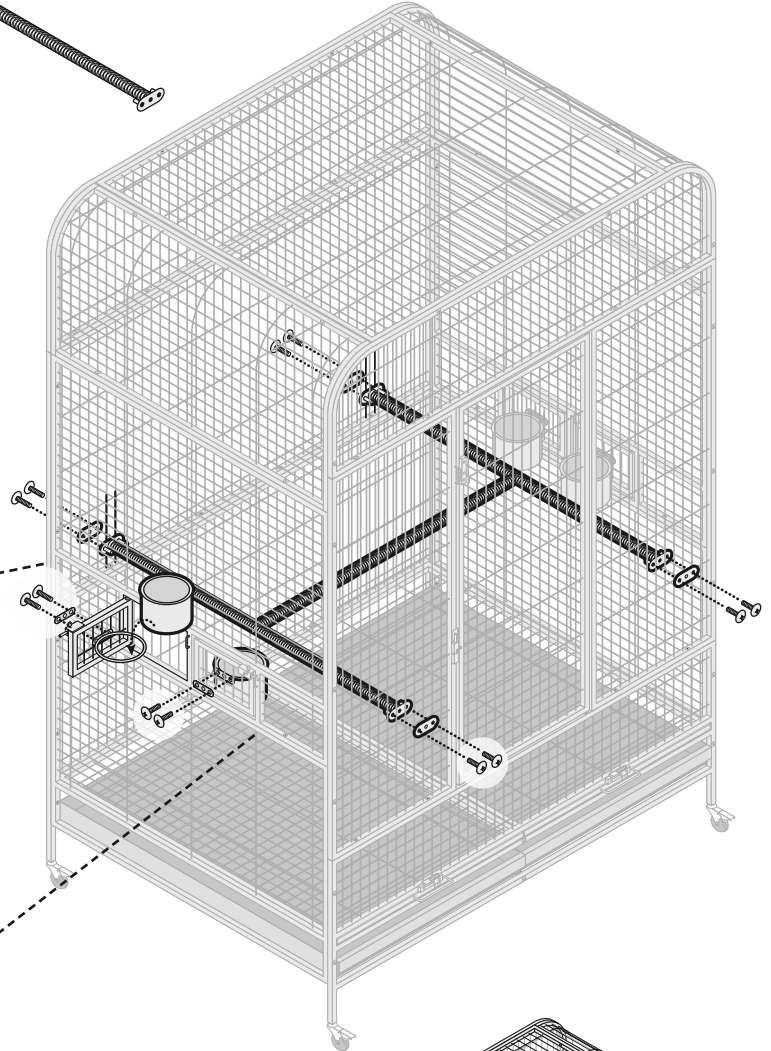


PERCH PARTS



FOOD / WATER CUPS  
+ CUP HOLDERS

Place the assembled perch into the cage. Starting from the back, attach the perch to the cage with the bracket and screws at the height of the bottom horizontal rail. Finish attachment at the front, keeping the perch placement leveled and centered.



Remove all the screws and brackets from the **cup holders**. Attach the cup holders to the cup doors above the horizontal wire. Insert the **cups** in the cup holders.



When fully assembled, check and tighten ALL screws over the entire cage to ensure a safe and stable home.



Assembly completed.