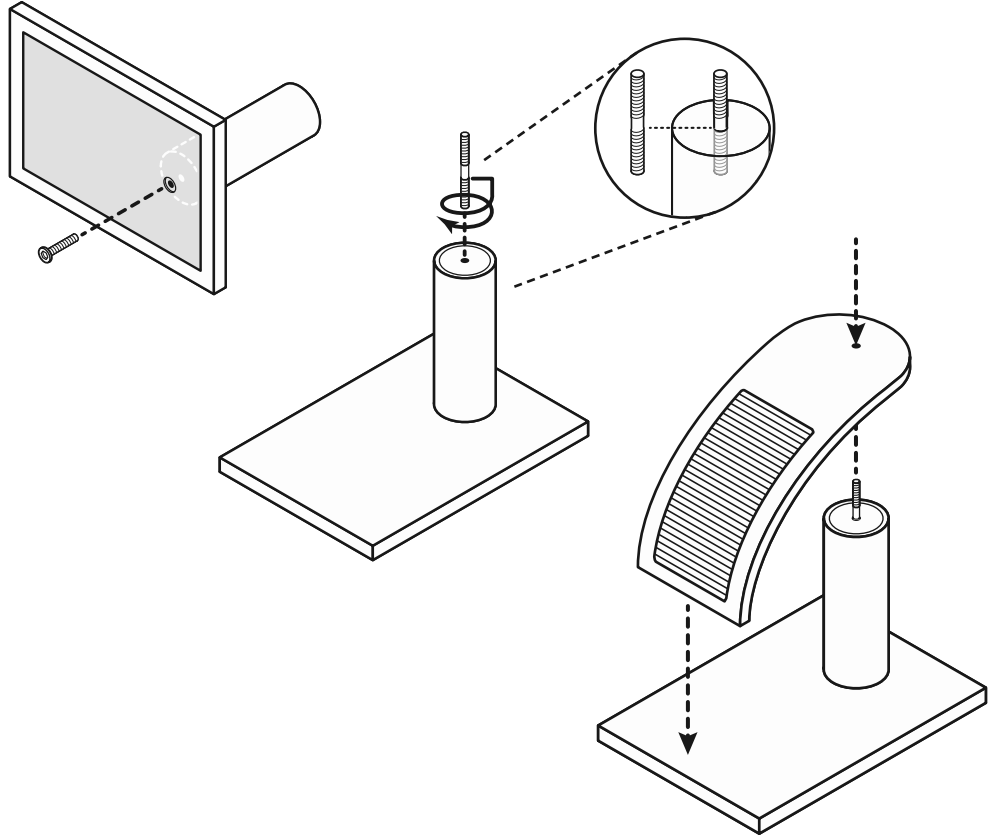
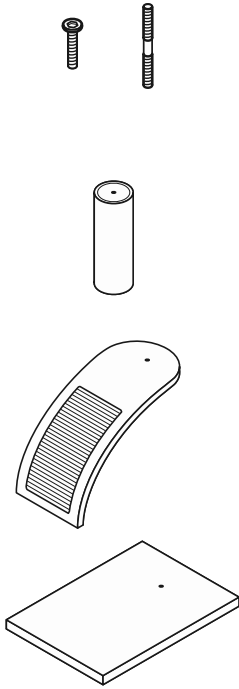
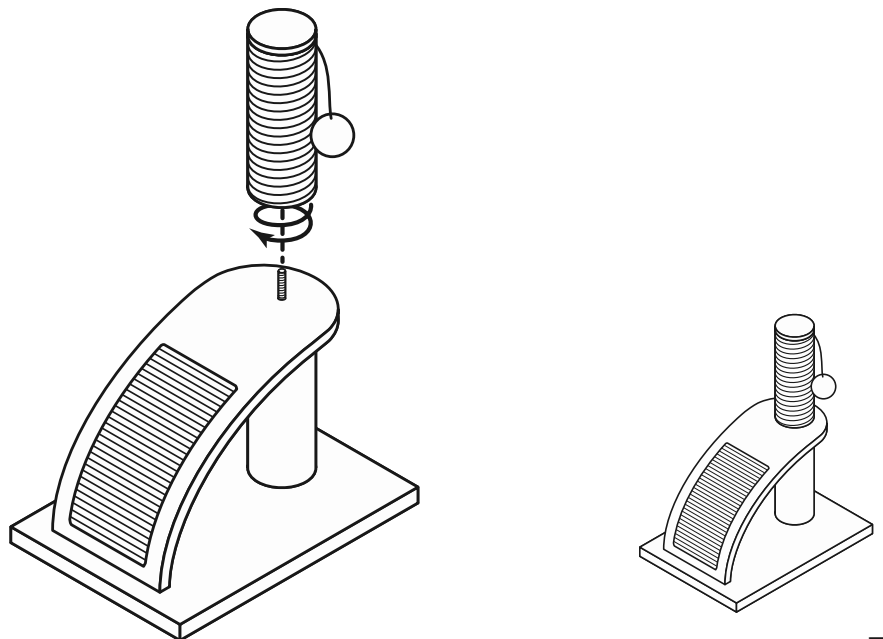
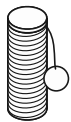


Follow the Assembly Steps in the order presented for best results.

1 PIECES



2 PIECES



Assembly complete.

