

# cage assembly instructions

Travel Cage  
Model: # 1305

cage: 20"L x 12½"W x 15½"H  
interior: 19½"L x 12"W x 12¾"H  
wire gauge: 9 & 11  
wire spacing: ¾"

## getting started!

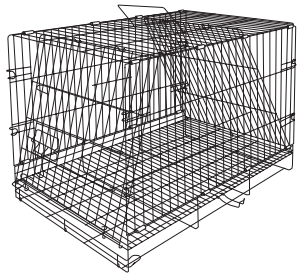
### READ THESE NOTES FIRST:

- **Review the cage and component parts:** If the cage or any components are missing or damaged, please contact Prevue Customer Service.
- **Tools:** No tools are included or required for the assembly of this cage.

Review these instructions thoroughly before attempting to assemble cage. If you still require assistance, please contact Prevue Customer Service at 800.243.3624 or through links online at [prevuepet.com](http://prevuepet.com)

## parts

ONE-PIECE CAGE



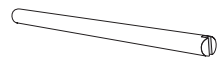
{ 4 } screws/wing nut pairs



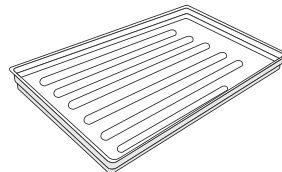
{ 2 } cup hangers



{ 2 } stainless steel cups



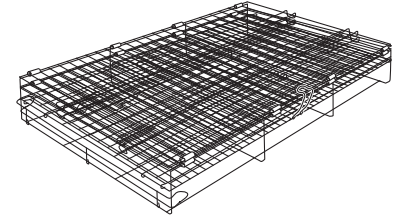
{ 1 } wood dowel perch



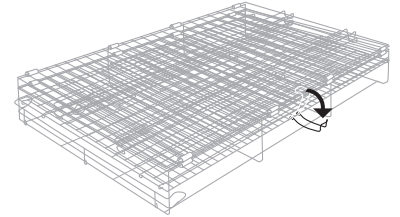
TRAY

## steps

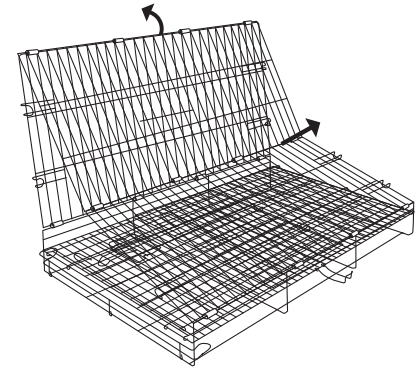
1 From the closed/flat position....



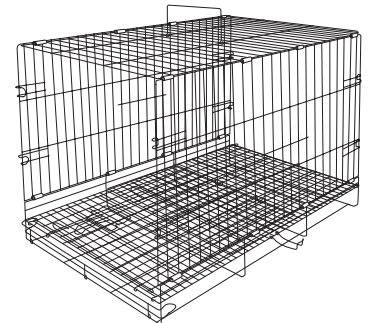
...unhook the clip that holds the cage flat...



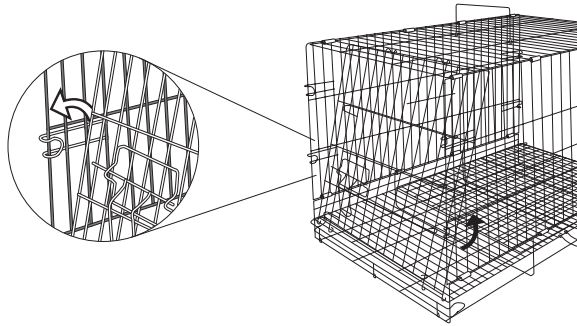
...unfold the cage panels...



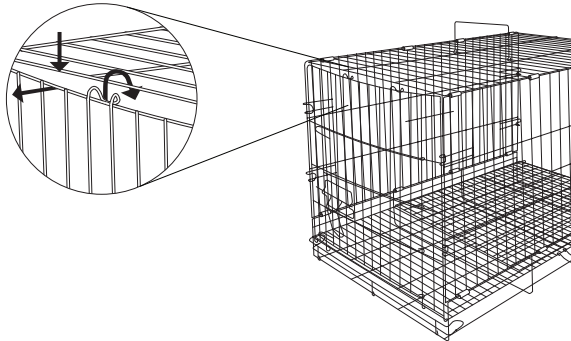
...and stand the main cage body upright and squared.



**2** From the interior, pull the first side panel up into place. Allow the panel to catch on the two looped wires along each side of the main cage body.

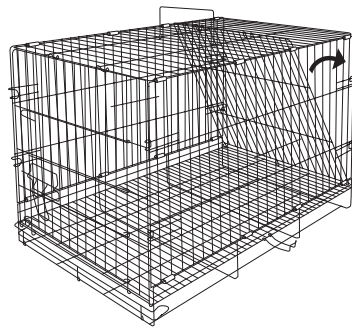


With the side panel caught on the loops, pull out at the top edge, push down on the main body top edge, and hook the side panel loop over the main body wire.

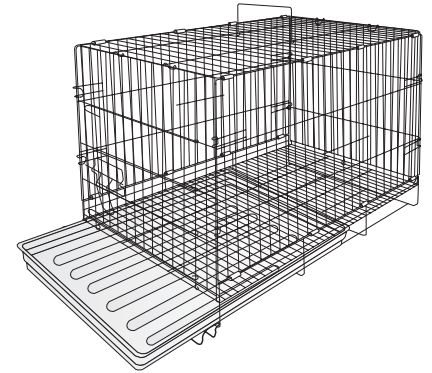


This happens in two places along top edge.

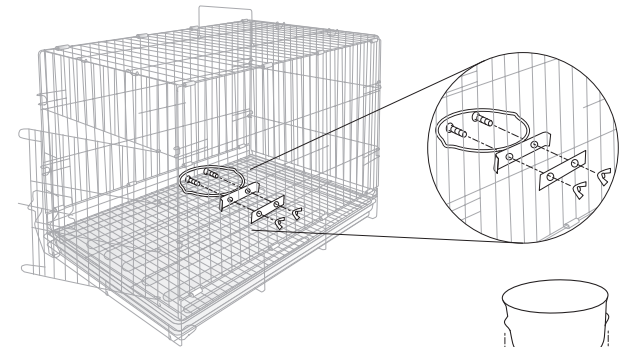
Repeat the procedure with the other side panel.



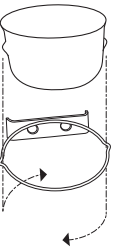
**3** Unhook/fold back the tray-catch door wire (underneath the access door), and slide the plastic debris tray into place.



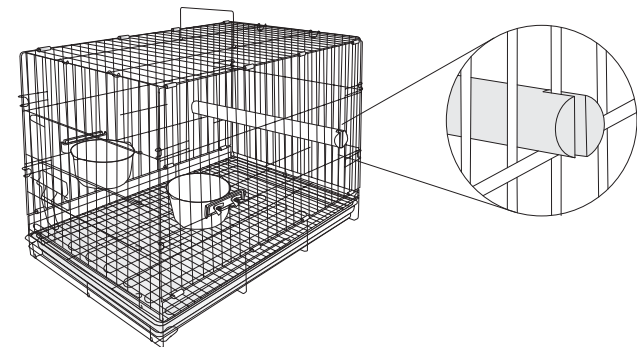
**4** Install the cup holders: Put the screws through the holder base. Put the holder on the inside of the cage. Match up the backing panel on the outside. Tighten the wing nuts onto the screws—snug but not so tight they can't be undone.



Install the cups: Align the bumps on the cups with the grooves on the holder ring. Insert the cup into the holder ring and turn the cup so it 'locks' into the ring.



**5** Install the perch holder: The perch can be placed anywhere — near the food/water cups, or on the other end of the cage.



★ Your cage is now fully assembled!