

Catville™ BUNGALOW

Model: # 7230 (Gray)

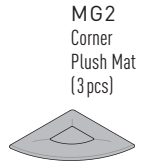
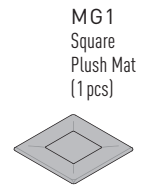
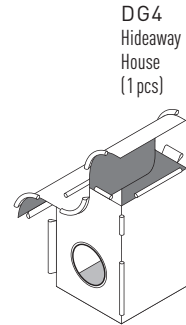
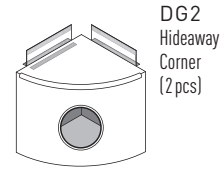
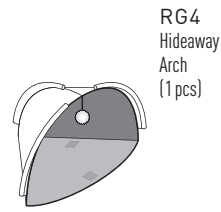
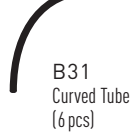
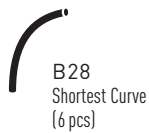
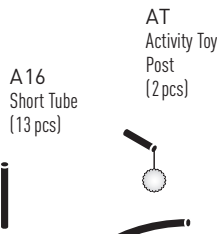
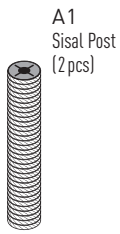
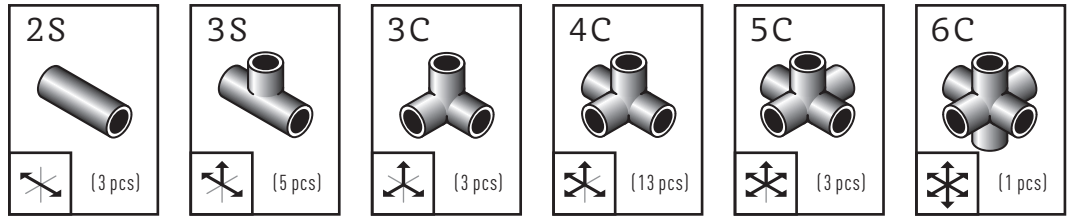
very helpful tips

- Loosely lay out all parts for each step.
- Slide tubes into fabric sleeves first—then add connectors.
- Use appropriate force when assembling connectors and tubes to avoid unnecessary damage.

read first REVIEW BEFORE ASSEMBLY

- Designed for hand assembly. No tools required.
 - Check regularly to ensure all components are connected.
 - Place finished unit in an area with room for cats to play and interact with all features.
- For assistance or replacement parts, please contact Prevue Pet Products:
- PHONE** 312.243.3624
ONLINE www.prevuepet.com
EMAIL customerservice@prevuepet.com

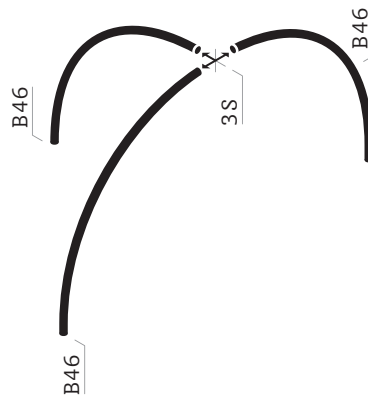
connectors & parts



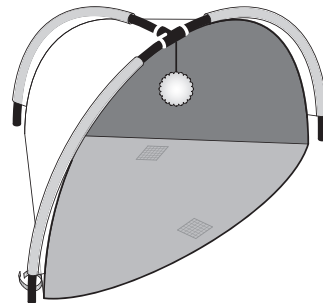
1a

To form the HIDEAWAY ARCH, you will need these pieces:

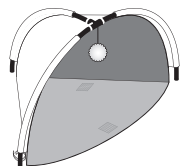
PARTS	NAME	QTY
3S	3-Way Straight	(1)
B46	Longest Curve	(all 3)
RG4	Hideaway Arch	(1)



When building the hideaway arch, insert long tubes into the sleeves of the fabric piece first, then add the connectors.



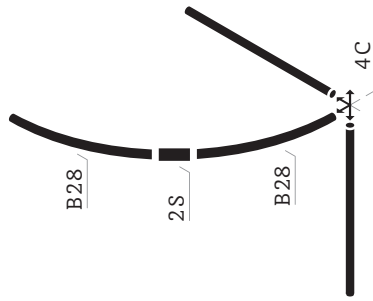
Set the finished unit aside for Step 4.



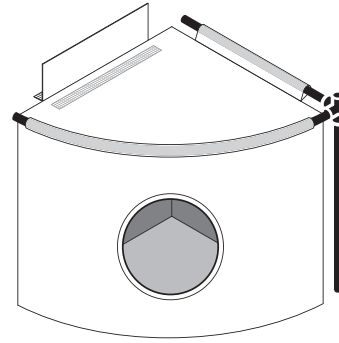
1b

To form 2 **HIDEAWAY CORNERS**, you will need these pieces:

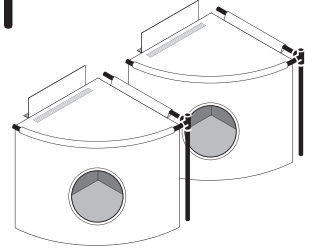
PARTS	NAME	QTY
2S	2-Way Straight	(2)
4C	4-Way Corner	(2)
A35	Long Tube	(4)
B28	Shortest Curve	(4)
DG2	Hideaway Corner	(2)



Make **two** hideaway corners. Both are exactly the same and use duplicate components.



Set the finished units aside for Step 4.

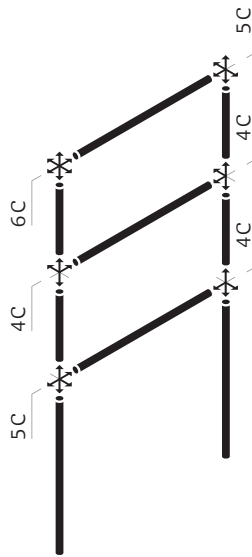


2

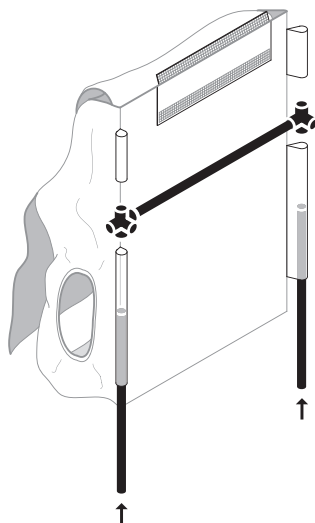
To form the **HIDEAWAY HOUSE**, you will need these pieces:

PARTS	NAME	QTY
4C	4-Way Corner	(3)
5C	5-Way Corner	(2)
6C	6-Way Corner	(1)
A35	Long Tube	(5)
A16	Short Tube	(4)
DG4	Hideaway House	(1)

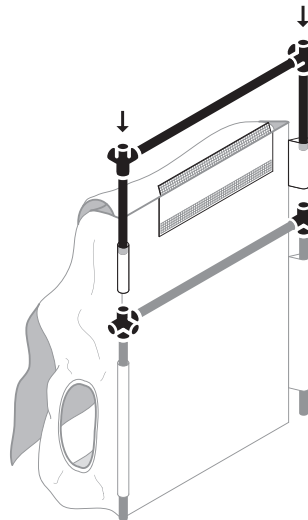
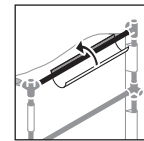
Build the backbone of the hideaway house in stages, using these components.



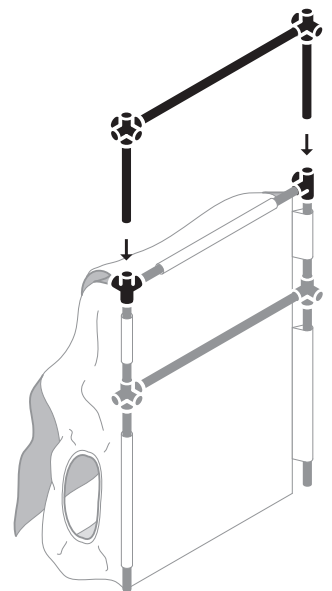
Begin with assembly of the lower portion and build up with each stage.



Build and add the components first, then secure the velcro sleeve around the horizontal tube.



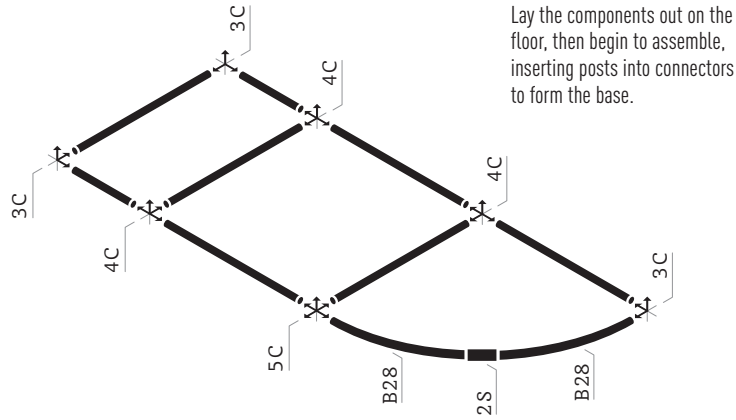
Finish and set unit aside for Step 4.



3

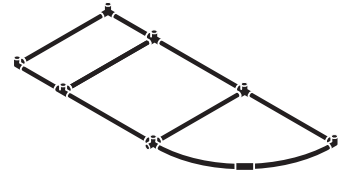
To form the **BASE**, you will need:

PARTS	NAME	QTY
2S	2-Way Straight	(1)
3C	3-Way Corner	(3)
4C	4-Way Corner	(3)
5C	5-Way Corner	(1)
A35	Long Tube	(6)
A16	Short Tube	(2)
B28	Shortest Curve	(2)



Lay the components out on the floor, then begin to assemble, inserting posts into connectors to form the base.

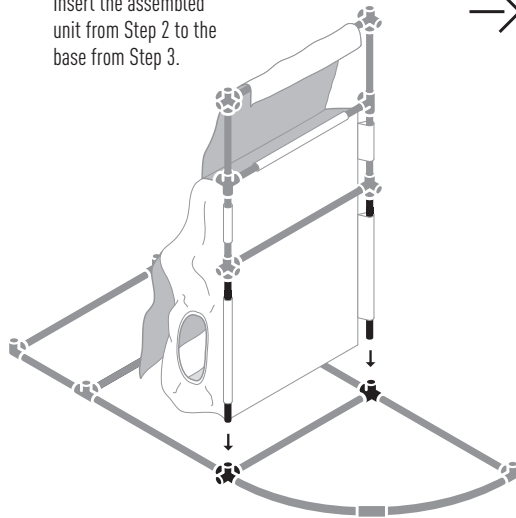
Test all connections and set unit aside for Step 4.



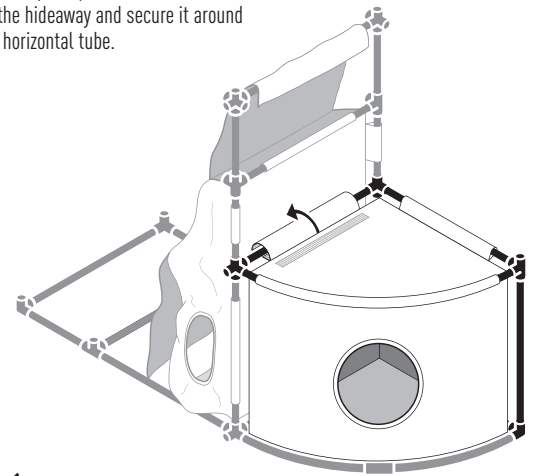
4

To begin building the complete **CATVILLE BUNGALOW**, you will need the assembled units from Steps 1 + 2 + 3.

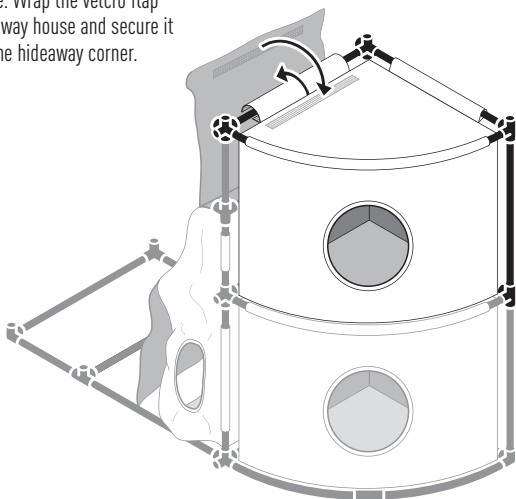
Insert the assembled unit from Step 2 to the base from Step 3.



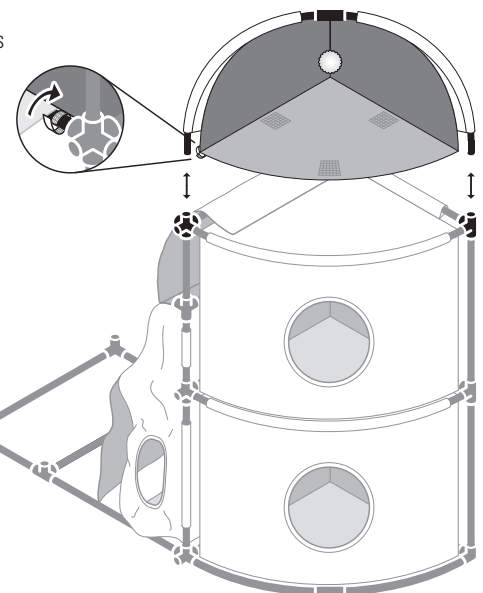
Add the first tier hideaway corner from Step 1. Open the velcro sleeve on the hideaway and secure it around the horizontal tube.



Add the second tier hideaway corner from Step 1. Open the velcro sleeve on the hideaway and secure it around the horizontal tube. Wrap the velcro flap from the hideaway house and secure it to the top of the hideaway corner.



Add the top hideaway arch from Step 1. At each of the front corners are thin velcro strips. Secure these around the horizontal bars immediately below (see detail).

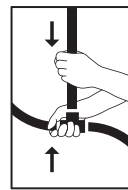
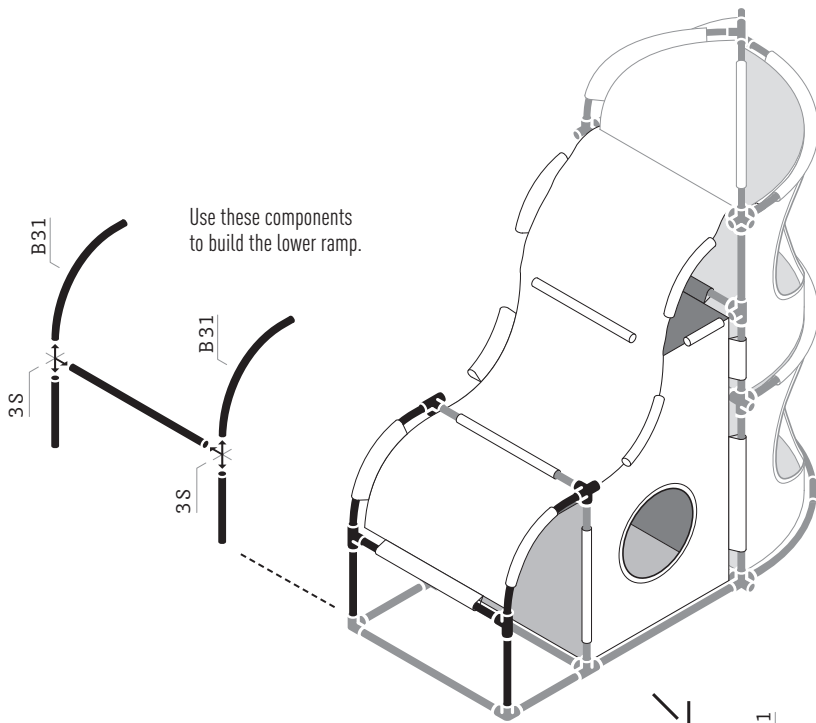
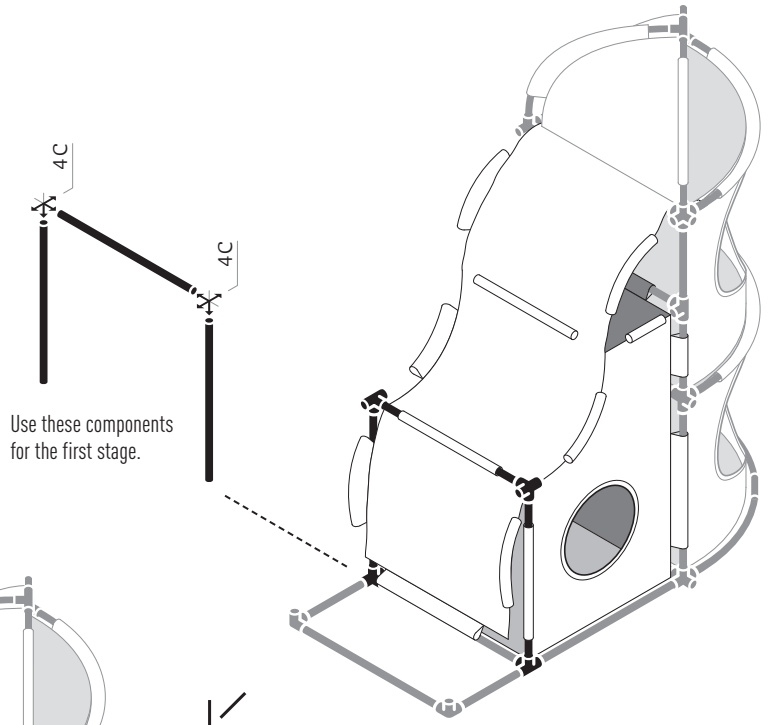


5

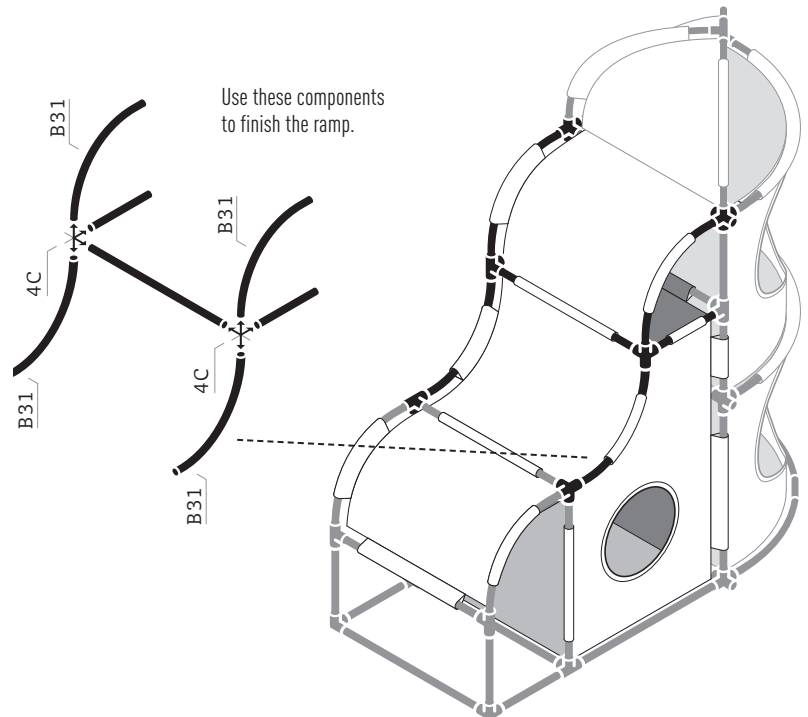
To finish the **HIDEAWAY HOUSE**, you will need these pieces:

PARTS	NAME	QTY
3S	3-Way Straight	(2)
4C	4-Way Corner	(4)
A35	Long Tube	(5)
A16	Short Tube	(4)
B31	Curved Tube	(all 6)

When finishing the hideaway house, build it in stages, starting from the bottom. Insert tubes into the sleeves of the fabric first, then add the connectors.



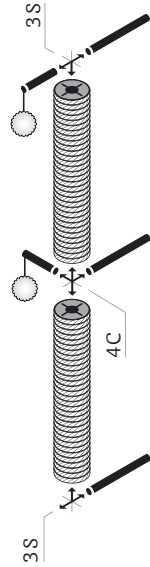
Use both hands during assembly. **DO NOT** push downward in unsupported areas.



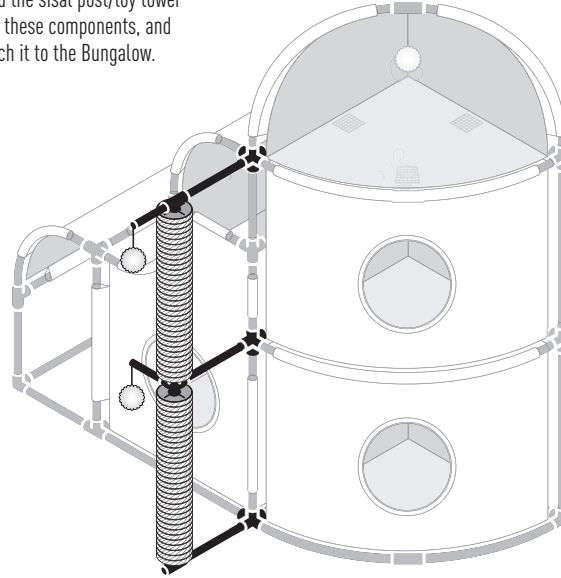
6

To finish the **CATVILLE BUNGALOW**, you will need:

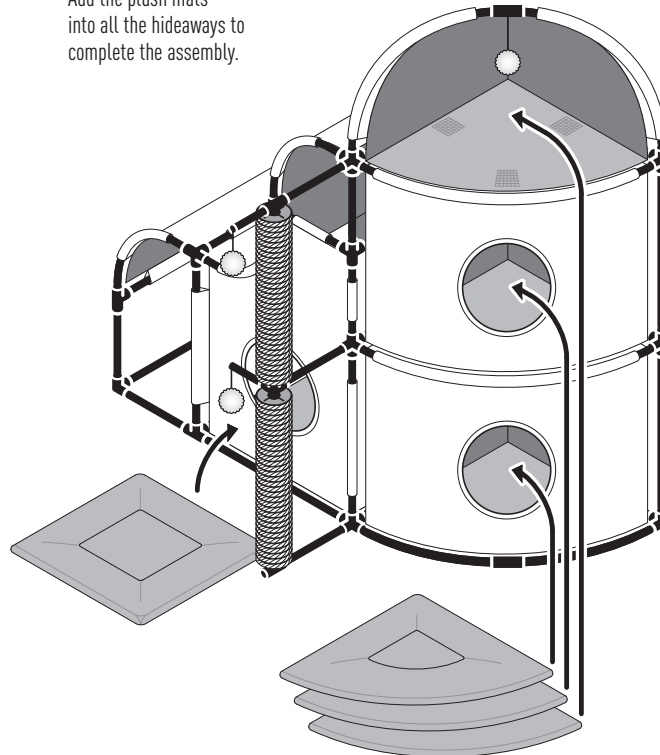
PARTS	NAME	QTY
3S	3-Way Straight	(2)
4C	4-Way Corner	(1)
A16	Short Tube	(3)
A1	Sisal Post	(2)
AT	Toy Post	(2)
MG2	Corner Plush Mat	(3)
MG1	Square Plush Mat	(1)



Build the sisal post/toy tower with these components, and attach it to the Bungalow.



Add the plush mats into all the hideaways to complete the assembly.



CARE INSTRUCTIONS

- Do not immerse in water or place near high heat or open flame.
- Regularly check the stability of all connections of components.
- Spot clean fabric and frame with a moist towel. Allow to air dry thoroughly.
- Supervise pet interaction with the product. Inspect for wear. Replace when worn.