

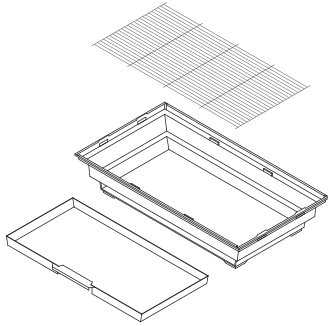
# House Style Tiel Cage

Model: # 41615

**read first** REVIEW BEFORE ASSEMBLY

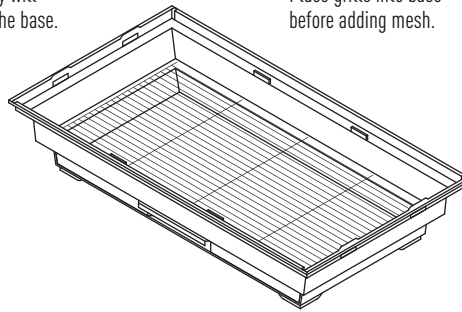
- **TOOLS:** No tools are required. For assistance or replacement parts, please contact Prevue  
**TOLL-FREE** 800.243.3624  
**ONLINE** [www.prevuepet.com](http://www.prevuepet.com)

## step 1 PARTS USED:

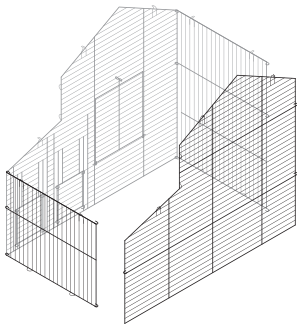


Removable tray will already be in the base.

Place grille into base before adding mesh.



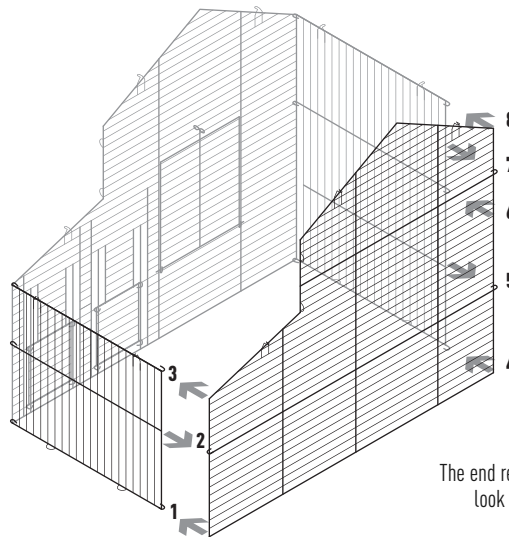
## step 2 PARTS USED:



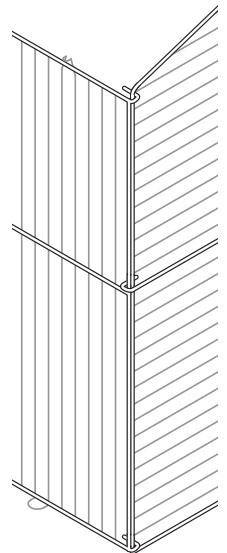
Create the cage body by beginning at the bottom corner and hooking the panels together (arrow #1).

Weave the alternating hooks together up the seam (arrows #2-3) by flexing the mesh panels.

Follow the same method for the other seam (arrows #4-8).

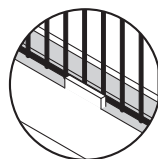


The end result will look like this.

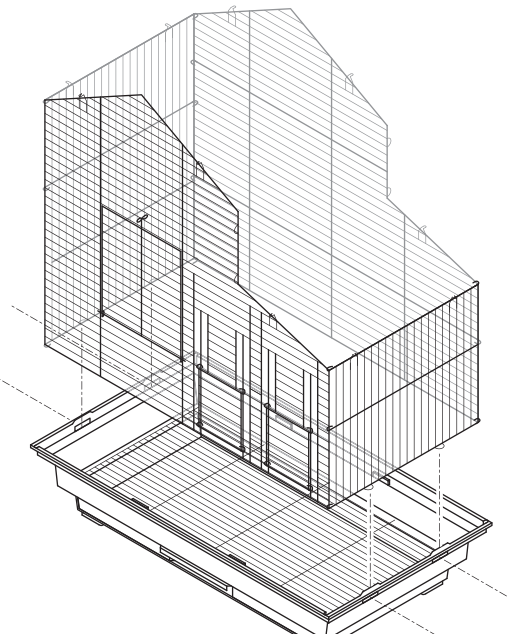


## step 3

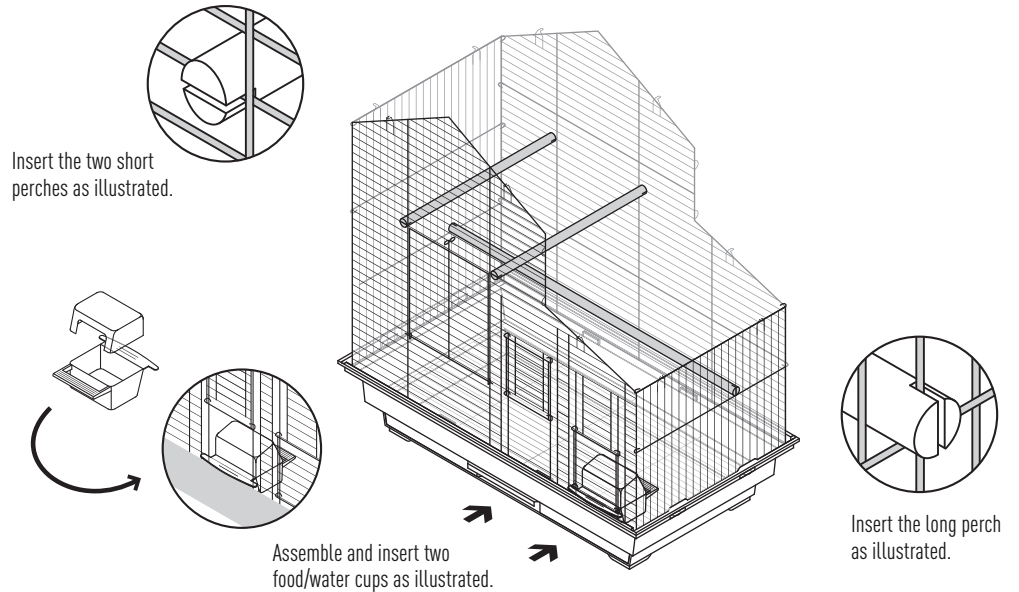
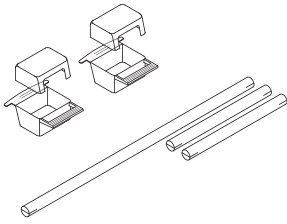
Place the completed cage mesh unit into the base. Starting at one end, align the loops on the mesh with openings in the base. Guide the mesh in place between the edge and the tabs along the inner rim of the base.



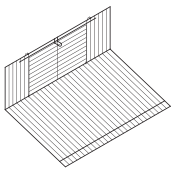
Finish with putting the loops into the base openings on the opposite end.



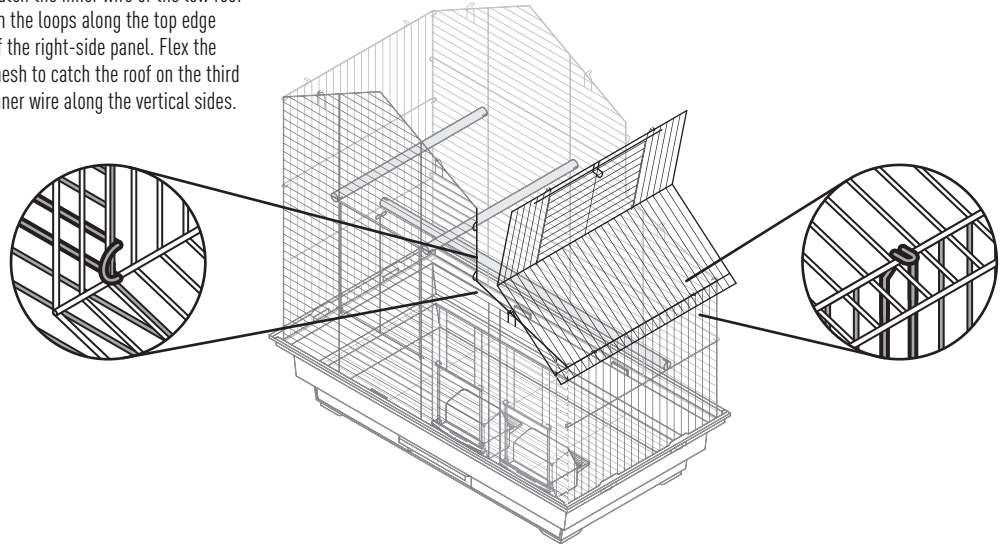
## step 4 PARTS USED:



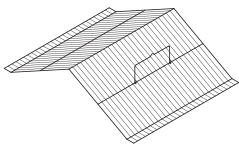
## step 5 PARTS USED:



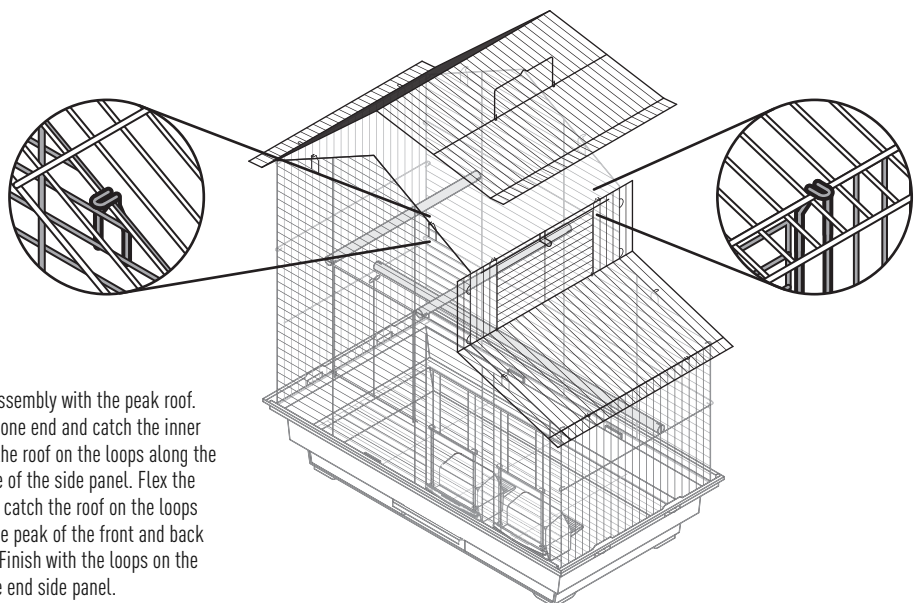
Catch the inner wire of the low roof on the loops along the top edge of the right-side panel. Flex the mesh to catch the roof on the third inner wire along the vertical sides.



## step 6 PARTS USED:



Finish assembly with the peak roof. Start at one end and catch the inner wire of the roof on the loops along the top edge of the side panel. Flex the mesh to catch the roof on the loops along the peak of the front and back panels. Finish with the loops on the opposite end side panel.



### \* CLEANING RECOMMENDATIONS

- Use a soft cloth or Teflon-resistant non-abrasive scrubber.
- Wash with warm water and a mild, pet-friendly soap. Rinse thoroughly.
- Hand dry all parts with a soft dry cotton cloth before reassembling.
- Do not leave plastic parts to dry in the sun as they may warp.